

# BALANCE-PRESSURE

## SHOWER SYSTEMS

### BALANCE-PRESSURE VALVES FEATURES & BENEFITS

- Solid brass components.
- Balance-Pressure feature ensures a constant temperature despite changes in water pressure.
- Five gallons/minute flow rate, sufficient to operate one water outlet at a time.
- Includes all attendant trim to coordinate with select bath fittings collections.

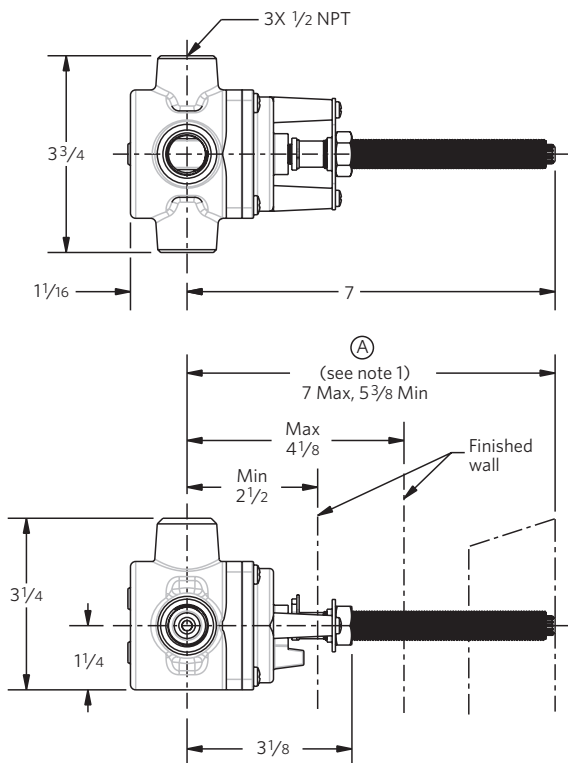
#### Other Components (sold separately):

- Multi-Port Diverter Valve & Trim Set
  - Directs water to flow to one of up to three water outlets.
  - Does not support more than one outlet running at a time.

### VALVE SPECS

#### NOTES:

1. Cut stem to dimension "A"  
Cut all - thread  $1/2"$  shorter than stem



### SHOWER ONLY

#### PARTS REQUIRED

- BP shower valve & trim set
- Shower head, flange & arm



### TUB & SHOWER ONLY

#### PARTS REQUIRED

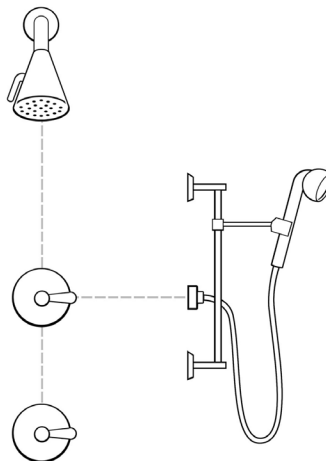
- BP tub & shower valve & trim set
- Shower head, flange & arm



### SHOWER & HANDHELD SHOWER

#### PARTS REQUIRED

- BP shower valve & trim set
- Shower head, flange & arm
- Handheld shower
- Multi-Port Diverter Valve & Trim set



### TUB & SHOWER WITH HANDHELD SHOWER

#### PARTS REQUIRED

- BP tub & shower valve & trim set
- Shower head, flange & arm
- Handheld shower
- Multi-Port Diverter Valve & Trim set

