

RESTORATION HARDWARE

Thank you for purchasing Restoration Hardware Lighting. Our assortment is crafted with the highest quality details in mind and each collection is clad in one of our signature finish options. Each item's surface is sealed which eliminates the need for polishing and ensures the lasting brilliance of your piece for years to come.

PARTS ENCLOSED:

- (A) Mounting bar
- (B) Canopy
- (C1) Glass 1 (C2) Glass 2
- (D) Pan
- (a) Wire connector
- (b) Ground wire
- (c) Mounting screw
- (d) Green ground screw
- (e) Outlet box screw
- (f) Ball nut

IMPORTANT SAFETY INSTRUCTIONS:

WE RECOMMEND INSTALLATION BY A LICENSED ELECTRICIAN.

This fixture has been rated for up to (2) 40-watt maximum TYPE B bulbs (provided). To avoid the risk of fire, do not exceed the recommended wattage.

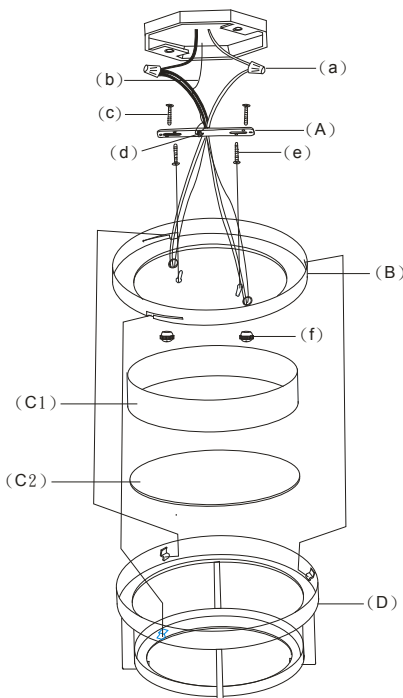
WARNINGS:

All wires are connected. When unpacking, be careful not to pull wires as a bad connection may result. Do not connect electricity until your lamp is fully assembled.

To reduce the risk of fire, electrical shock or personal injury, always turn off lamp and allow it to cool prior to replacing light bulb.

Do not touch bulb when fixture is turned on or look directly at lit bulb. Keep flammable materials away from lit bulb.

Heath 9" Flush Mount



TO ASSEMBLE:

1. Carefully remove all parts from the box and remove all plastic covering.
2. Turn OFF power to the junction box where the lamp will be installed.
3. Insert the wire through the center hole of the mounting bar (A).
4. Attach the ground wire (b) from the fixture to the ground junction box wire from the outlet box (usually green or bare wire) with a plastic Wire connector (a) and wrap the connection with electrical tape.
5. Connect the hot wire to the hot junction box wire (usually black) with a plastic wire connector (a) and wrap the connection with electrical tap. Connector the neutral junction wire (usually white) with a plastic wire connector (a) and wrap the connection wire electrical tape.
6. Thread mounting screws (c) onto mounting bar (A). Attach mounting bar (A) to outlet box using outlet box screws (e). Tighten with a screwdriver.
7. After wires are connected, tuck them carefully inside outlet box. Raise the canopy (B) allowing for the mounting screws (c) to protrude through key slots. Rotate the canopy (B) clockwise until the mounting screws (c) are in narrow part of key slots, tighten with ball nuts (f).
8. Position the glass 2 (C2) and glass 1 (C1) onto the pan (D), when insert glass 1 (C1) into metal ring, please follow by the sticker arrow direction.
9. Raise and let the pan (D) is dimples into the canopy (B)'s slot and thread it until tighten.
10. Install **TYPE B, Maximum 40-watt** light bulbs (provided) into the socket.
11. Restore power to the junction box and test lamp fixture.
12. Installation is now completed.

CARE INSTRUCTIONS:

While re-lamping, please push up and twist.

Wipe clean using a soft, dry cloth or static duster. Always avoid using harsh chemicals and abrasives to clean fixture as they may damage the finish.

Direct Wire Installation