

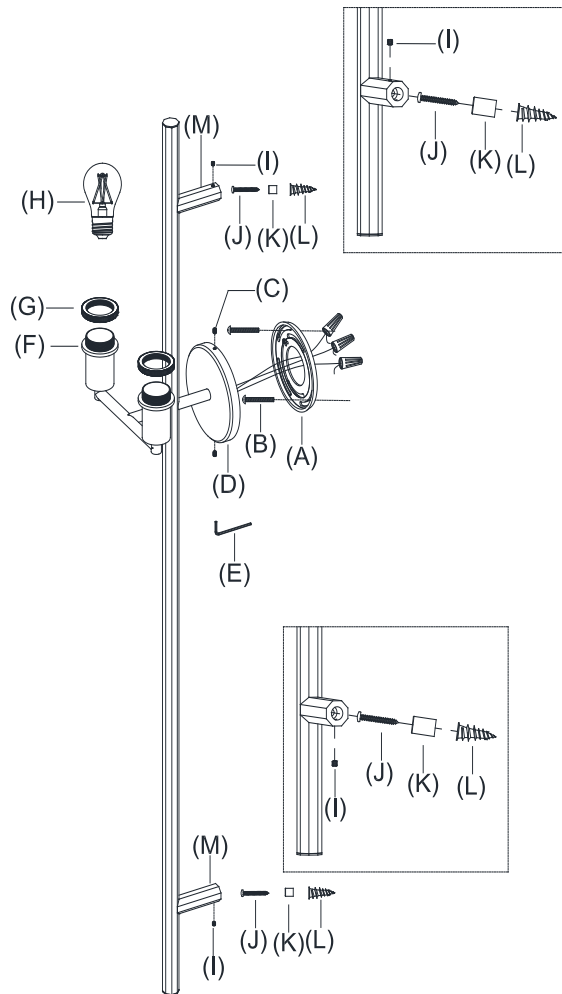
VELA OCTAGONAL BAR SCNCE

PARTS ENCLOSED

- (A) Mounting Plate (1)
- (B) Mounting Screws (2)
- (C) Base Screws (2)
- (D) Fixture Base (1)
- (E) Wrench (1)
- (F) Sockets (1)
- (G) Socket Rings (2)
- (H) LED Bulbs (2)
- (I) Set Screws (2)
- (J) Wood Screws (2)
- (K) Screw Washers (2)
- (L) Metal Anchors (2)
- (M) Brackets (2)

SAFETY CABLE ASSEMBLY

1. Join fixture safety cable with safety cable from wall.
2. Wrap both safety cables around the cable lock nut. Secure by tightening both hex nuts until tight.



VELA OCTAGONAL BAR SCNCE

IMPORTANT SAFETY INSTRUCTIONS

INSTALLATION BY A LICENSED ELECTRICIAN IS STRONGLY RECOMMENDED.

This fixture has been rated for two (2) 60-Watt maximum Type A standard light bulbs (not included) or two (2) 13-Watt CFL light bulbs (not included) or two (2) 4.5-Watt SBLED light bulbs (H) (included).

To avoid the risk of fire, do not exceed the recommended wattage.

WARNINGS

All wires are connected. When unpacking, be careful not to pull wires, as a bad connection may result. Do not connect electricity until your fixture is fully assembled. To reduce the risk of fire, electrical shock, or personal injury, always turn off fixture and allow it to cool prior to replacing the light bulb. Do not touch or look directly at the bulb when fixture is illuminated. Keep flammable materials away from lit bulb.



WARNING: This product can expose you to lead, which is known to the State of California to cause cancer and birth defects or other reproductive harm. For more information, go to www.P65Warnings.ca.gov.

THIS IS NOT A TOY AND THE PRODUCT HAS NO PLAY VALUE.



WARNING: STRANGULATION HAZARD

Keep cord at least 3 ft away from cribs, bassinets, and toddler beds. Keep out of reach of children under 3.

ASSEMBLY & INSTALLATION

SHUT OFF THE MAIN ELECTRICAL SUPPLY FROM THE FUSE BOX OR CIRCUIT BREAKER PANEL.

- Carefully remove all parts from the box and remove all plastic covering.
- Remove Mounting Plate (A) from Fixture Base (D) by unscrewing Base Screws (C) with Wrench (E) in counter-clockwise direction.
- Place Fixture Base (D) to wall outlet, draw an outline for both Brackets (M) and remove Fixture Base (D).

ASSEMBLY & INSTALLATION CONT.

- Drill small holes in the center of the marked outline; each hole should be big enough for Metal Anchors (L). Push the Metal Anchors (L) into the holes.
- Join the Wood Screws (J) and Screw Washers (K) together; insert the Wood Screws (J) into the Metal Anchors (L).
- Attach Mounting Plate (A) to wall outlet box by aligning the holes and secure with Mounting Screws (B).
- Gently pull the wire from wall outlet box and allow the wire to hang. Thread the wire through the center hole in Mounting Plate (A).
- Attach the fixture ground wire (GREEN) and house ground wire (usually green or bare wire) to wall outlet box with the green grounding screw. Connect fixtures to corresponding house wire with a wire nut. Carefully tuck the wires back into the outlet box. IT IS IMPERATIVE THAT THE OUTLET BOX IN YOUR HOME BE PROPERLY GROUNDED.
- Connect the neutral wire (WHITE) to the neutral outlet wire (usually white) with a plastic wire connector and wrap the connection with electrical tape.
- Connect the hot wire (BLACK) to the hot outlet box wire (usually black) with a plastic wire connector and wrap the connection with electrical tape. DO NOT REVERSE THE HOT AND NEUTRAL CONNECTIONS; OTHERWISE, SAFETY WILL BE COMPROMISED.
- Loosen Set Screws (I), attach Fixture Base (D) to Mounting Plate (A), and attach the Brackets (M) to both screw heads of Wood Screws (J). Secure the Fixture Base (D) with Base Screws (C) by using Wrench (E) and secure the brackets by tightening Set Screws (M).
- Remove Socket Rings (G) from Sockets (F) and place the center cap of shade (sold separately) onto the Sockets (F). Secure with Socket Rings (G).
- Insert Bulbs (H) into the Sockets (F).
- Restore power to outlet box and check operation of fixture.
- Assembly is complete.

CARE INSTRUCTIONS

Do not use polishes or cleaners on your lamp. Just wipe clean with a soft cloth.