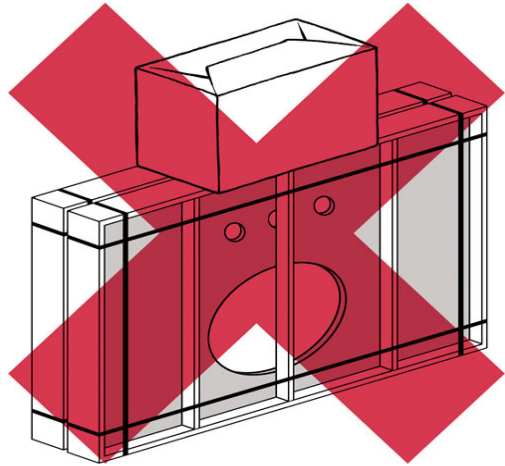
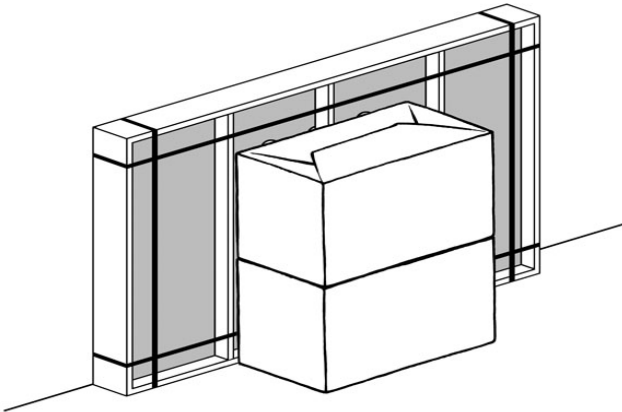


RESTORATION HARDWARE

STORAGE & INSTALLATION OF YOUR MARBLE TOP

1. Storage

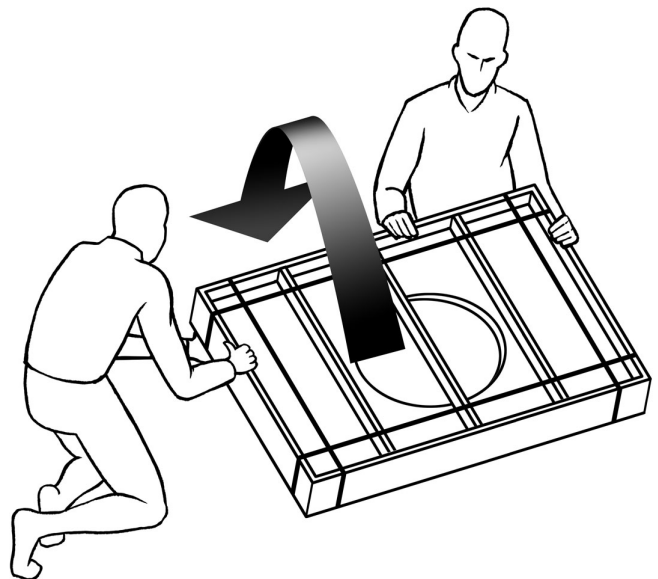
1. Keep marble top in it's crate until installation.
2. Store crate vertically in a place safe from being hit or knocked over
3. Do not stack anything on top of the crate.



2. Opening crate

1. Before unpacking make sure you have installation requirements present:
 1. A professional two man crew
 2. Sink base installed according to instructions with plumb wall and floor.
 3. Ensure the marble top is the correct one for the base.
4. Tools and materials required:
 1. Flat, non-abrasive work surface, such as a blanket or smooth cardboard
 2. Carpenter's level
 3. Phillips head screwdriver
 4. Sealant

2. Carefully, without allowing any free fall, rotate the crate from vertical to flat.
This is the only time the crate should be horizontal.

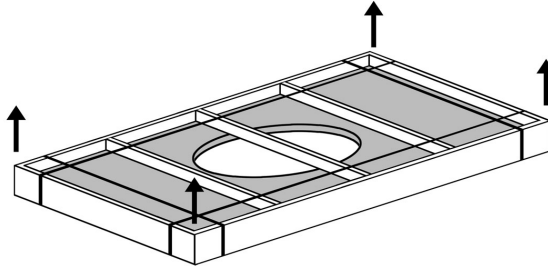


RESTORATION HARDWARE

STORAGE & INSTALLATION OF YOUR MARBLE TOP

3. Remove metal bands

4. Unscrew the slats or lid and remove.



3. Examination of marble top

1. Examine the marble top for cracks or defects.

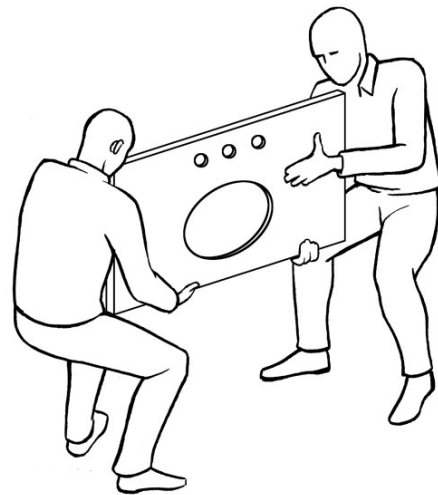
2. If defects are detected, please call 877-777-7059, do not install.

3. To clean the marble top, wipe with a soft cloth.

4. Installation of marble top

1. Always use a two man crew, a single person crew is much more likely to break or chip the marble top.

Double tops might require a 3 man crew.



RESTORATION HARDWARE

STORAGE & INSTALLATION OF YOUR MARBLE TOP



Caution! Installation between two walls requires special care.

2. Specific Instructions for installation between two walls

1. Set top on it's edge at back of counter.
2. Lower the front of the marble top to the sink base, making sure both ends come down at the same rate.
3. Do not shimmie, twist or turn the top as you lower it. - risk of breakage!



If defects are detected please call 877-777-7059 - do not install.

RESTORATION HARDWARE

GLASS / METAL WASHSTAND ASSEMBLY INSTRUCTIONS

Before You Begin:

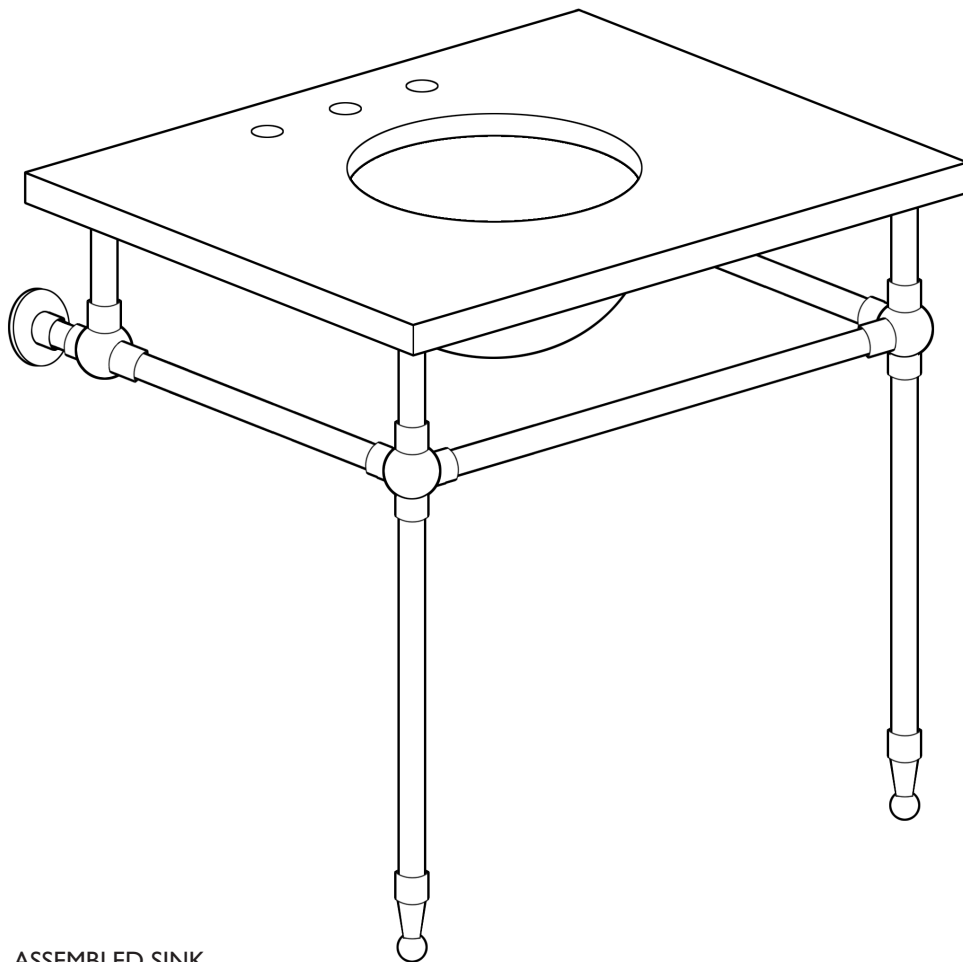
Professional installation by two-person crew is required for this fixture. Install water supply and drain piping according to local plumbing and building codes. Insure that wall and floor are square and plumb at site of installation. Drywall anchors are provided for mounting this washstand. If site requires mounting on a surface other than drywall, suitable fastening devices must be provided.

Warning:

Glass washstand legs and crossbars are extremely fragile and must be handled with care. Do not over-tighten parts during assembly. Make final adjustment of set screws after installation. The Glass / Metal washstand sink may not be appropriate for locations with small children. Note that foot pins must be recessed into finished floor in order to reduce stress on glass rods.

Tools and Materials Required:

1. Flat, nonabrasive work surface such as a blanket
2. Carpenter's level
3. Phillips head screwdriver
4. Drill
5. Pencil
6. Hammer
7. Sealant

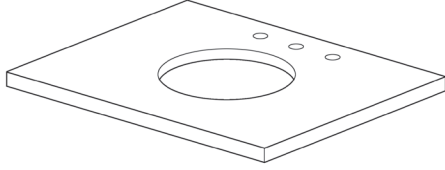


RESTORATION HARDWARE

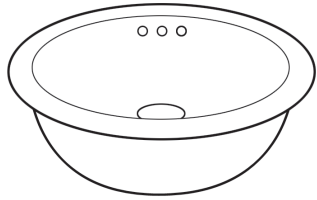
GLASS / METAL WASHSTAND ASSEMBLY INSTRUCTIONS

Parts List, Large Items

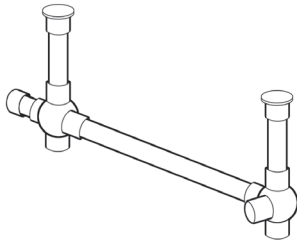
A. Stone top (sold separately)



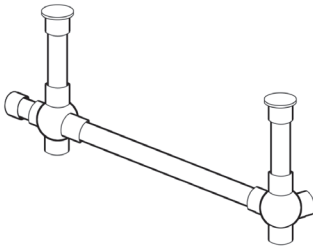
B. Lavatory basin



C. Right side assembly



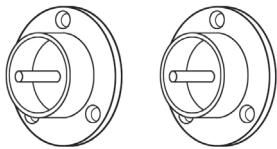
D. Left side assembly



E. Center bar



F. Wall flanges (x2)

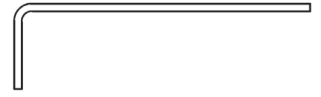


G. Washstand legs (x2)

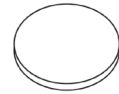
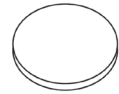


Parts List, Small Items

H. Allen wrench

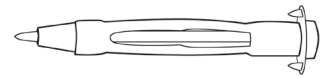


I. 3/16" Rubber pad (x4)



J. 1/4" Rubber pad (x4)

K. Drywall anchors (x6)



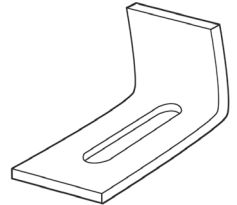
L. Calk in anchor (x4)



M. Calk in anchor sleeve (x4)



N. "L" Bracket (x4)



O. Washer (x4)



P. Screw (x4)



Q. Setting tool



R. Foot pins (x2)



S. Set screw (x2)

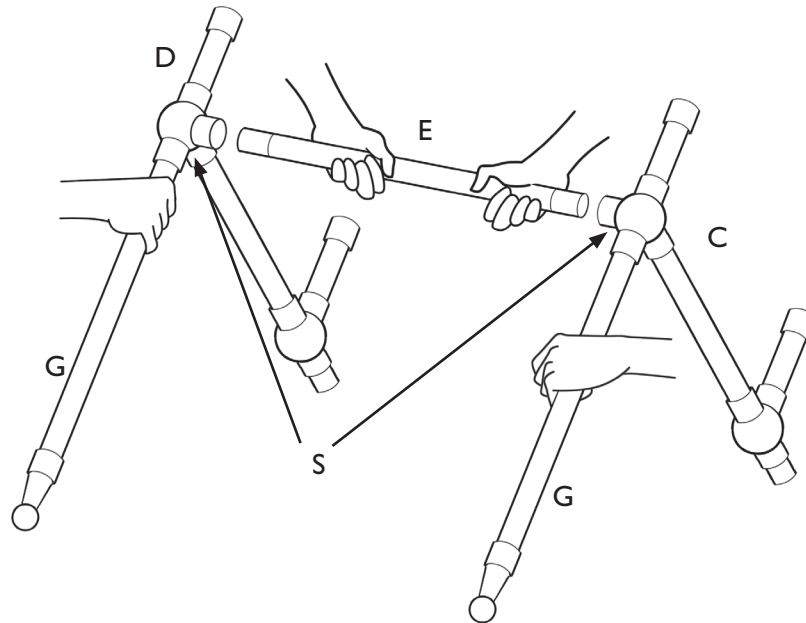


RESTORATION HARDWARE

GLASS / METAL WASHSTAND ASSEMBLY INSTRUCTIONS

Assembly Instructions:

1. Place right side assembly (C) upside down and screw one of the glass washstand legs (G) into the base of the round knuckle. **(Take care when handling glass washstand legs as they are extremely fragile. Do not over-tighten.)** Set right side/leg assembly on a flat, non-abrasive work surface.
2. Place left side assembly (D) upside down and repeat the process described in step 1.
3. Two people are required for this step. Work on a large, nonabrasive work surface with one person holding the right side / leg assembly and the other holding the left side / leg assembly. Carefully position the glass center bar (E) in the collar opening of the round knuckle on each side. (See illustration.) Using Allen wrench (H), adjust set screws (S) in collar openings on each side to secure the glass center bar. **(Do not over-tighten the set screws at this point. Tighten them only enough to hold the rod in place. Set screws can be adjusted further after washstand is fully installed.)**

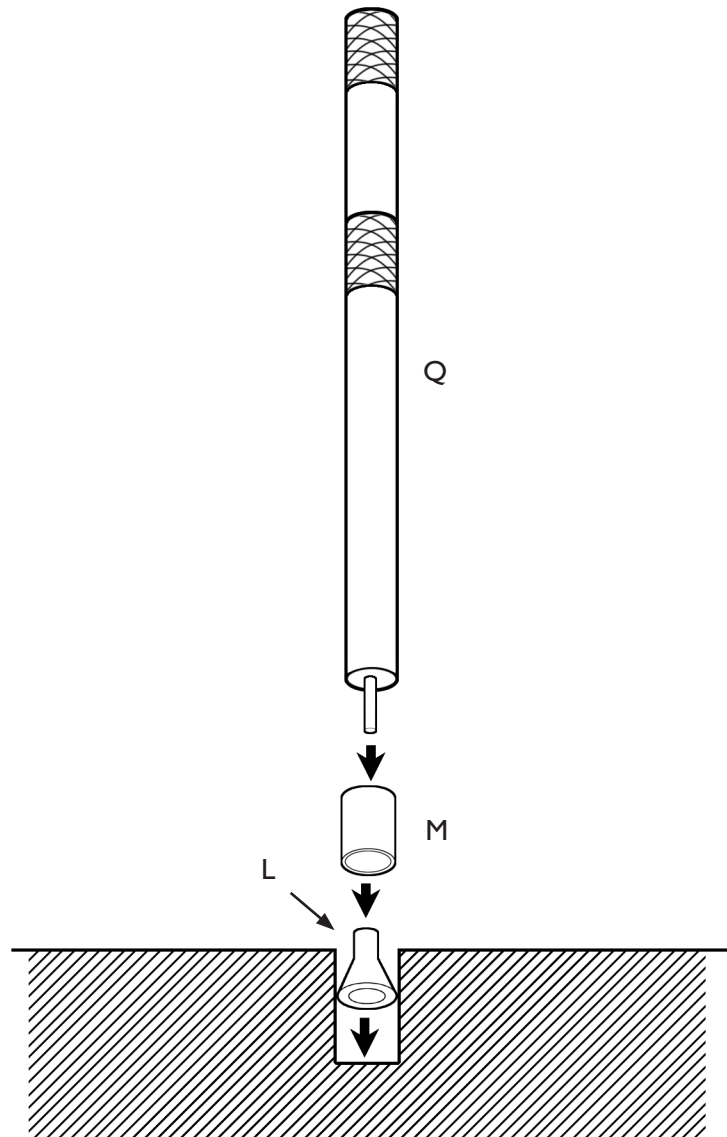


4. Remove the threaded foot pin (R) from bottom of each washstand leg and place to the side.
5. With one person on either side of assembled washstand, supporting parts to reduce stress on glass bars, carefully position washstand upright in the position where it will be mounted. Position wall flanges (F) on each side of the assembly, but leave them unattached. Using a carpenter's level, insure that each leg is vertical.
6. Using a pencil, mark position of wall flange screw holes on wall.
7. Mark position where anchor pins will rest into the floor.
8. Two people are required for this step. Carefully place assembled washstand aside, supporting parts to reduce stress on glass bars.
9. Where marked, drill holes (1/4" diameter x 7/16" deep) into floor to receive foot pins.
10. Where marked, mount wall flanges to wall with drywall anchors (K).
11. Replace metal foot pins in feet of assembled washstand.

RESTORATION HARDWARE

GLASS / METAL WASHSTAND ASSEMBLY INSTRUCTIONS

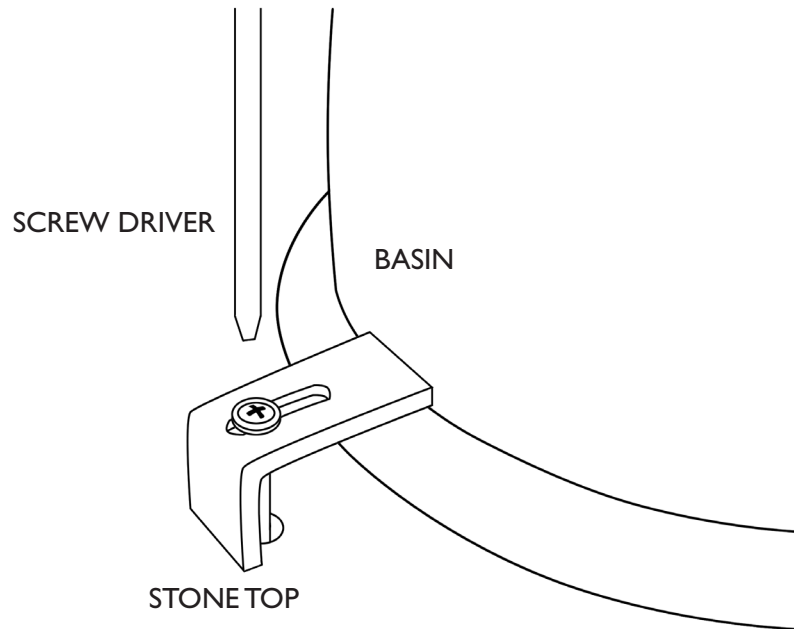
12. With two people maneuvering the assembled washstand, place it carefully in its final position with the side assembly rods placed in the mounted wall flanges and the foot pins recessed into the floor.
13. One person should now hold the washstand in place while the other person tightens the Allen head set screws of the two wall flanges. **(Do not over-tighten the set screws.)**
14. Place one 3/16" rubber pad (I) on each of the four top surfaces on the washstand.
15. Using two people, lift stone top (A), carefully place it in position on top of washstand base. If stone top need slight leveling adjustment, substitute 1/4" pads (J) as necessary to stabilize.
16. Remove stone top from washstand base and carefully place upside down on a flat, nonabrasive work surface.
17. Using setting tool (Q), hammer calk-in anchors (L) straight into pre-drilled holes on underside of stone top. (See illustration.)



RESTORATION HARDWARE

GLASS / METAL WASHSTAND ASSEMBLY INSTRUCTIONS

18. Apply a continuous bead of sealant to the top surface of rim of lavatory basin (B) where it will contact underside of stone top. Position lavatory basin in its final location, upside down on underside of stone top. Overflow of lavatory basin should be on same side as pre-drilled faucet holes on stone top.
19. Place four "L" brackets (N) with long sides over the lavatory basin rim.
20. Insert screws (P) through washers (O) and "L" brackets. Screw into call-in anchors with screwdriver. (See illustration.) **(Do not over-tighten.)** Insure that lavatory basin is securely attached to stone top.



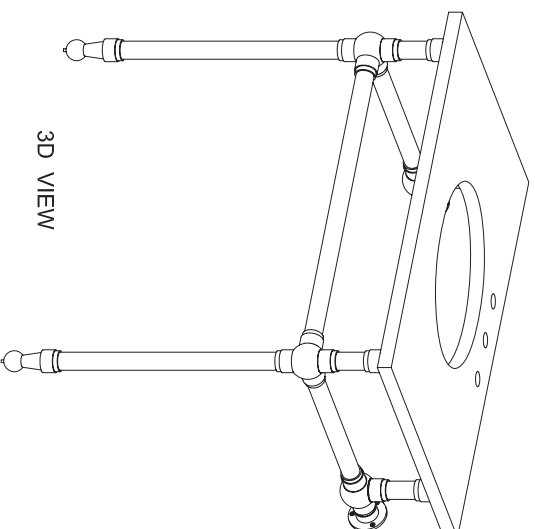
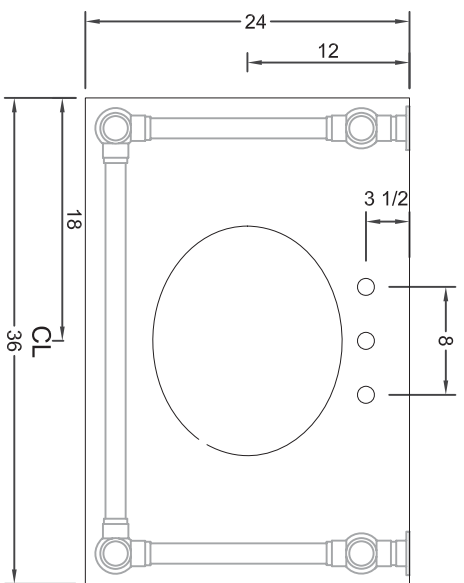
21. Using two people, turn stone top with attached basin over and position carefully on top of washstand base.
22. Adjust set screws as needed for stability of the washstand, continuing to take care not to over-tighten,

Cleaning and Maintenance Instructions:

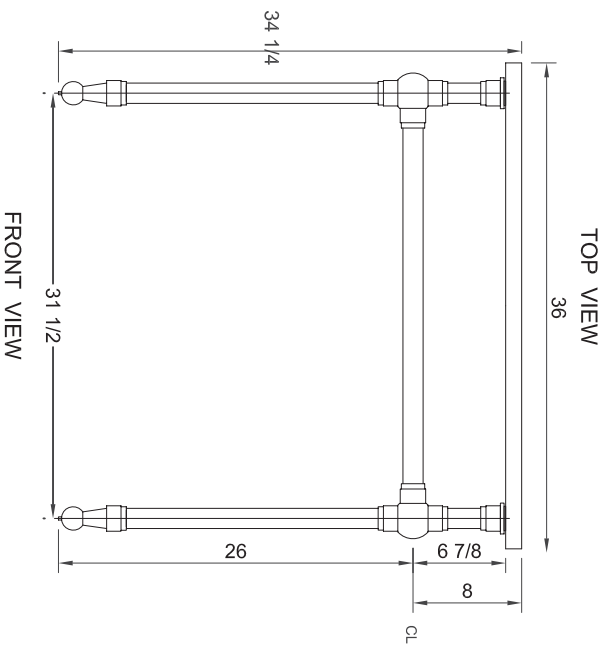
Avoid abrasive and harsh chemical cleaners.

To maintain and protect luster of washstand sink components, Restoration Hardware Bathroom Cleaning Products are recommended.

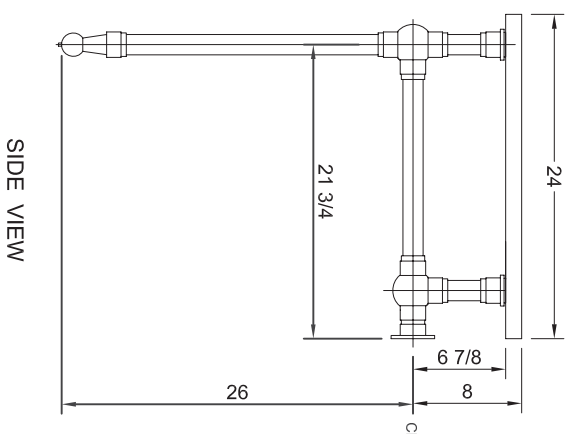
Restoration Hardware natural stone tops have a honed finish and hand-polished edges. They are sealed twice before shipment with inert silicone sealant. For cleaning and maintenance, Restoration Hardware Stone Care Products are recommended. To maintain your natural stone top, reseal it once a year.



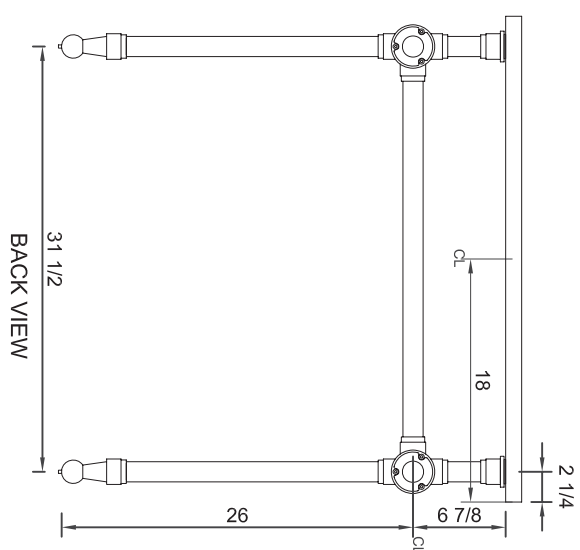
3D VIEW



FRONT VIEW



SIDE VIEW

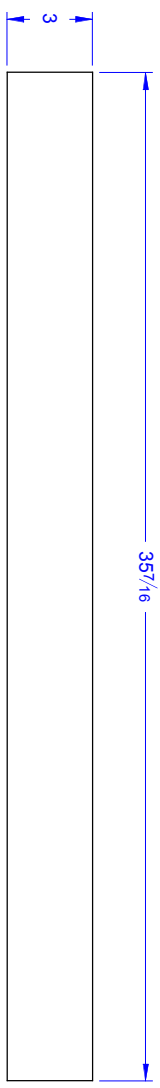


BACK VIEW

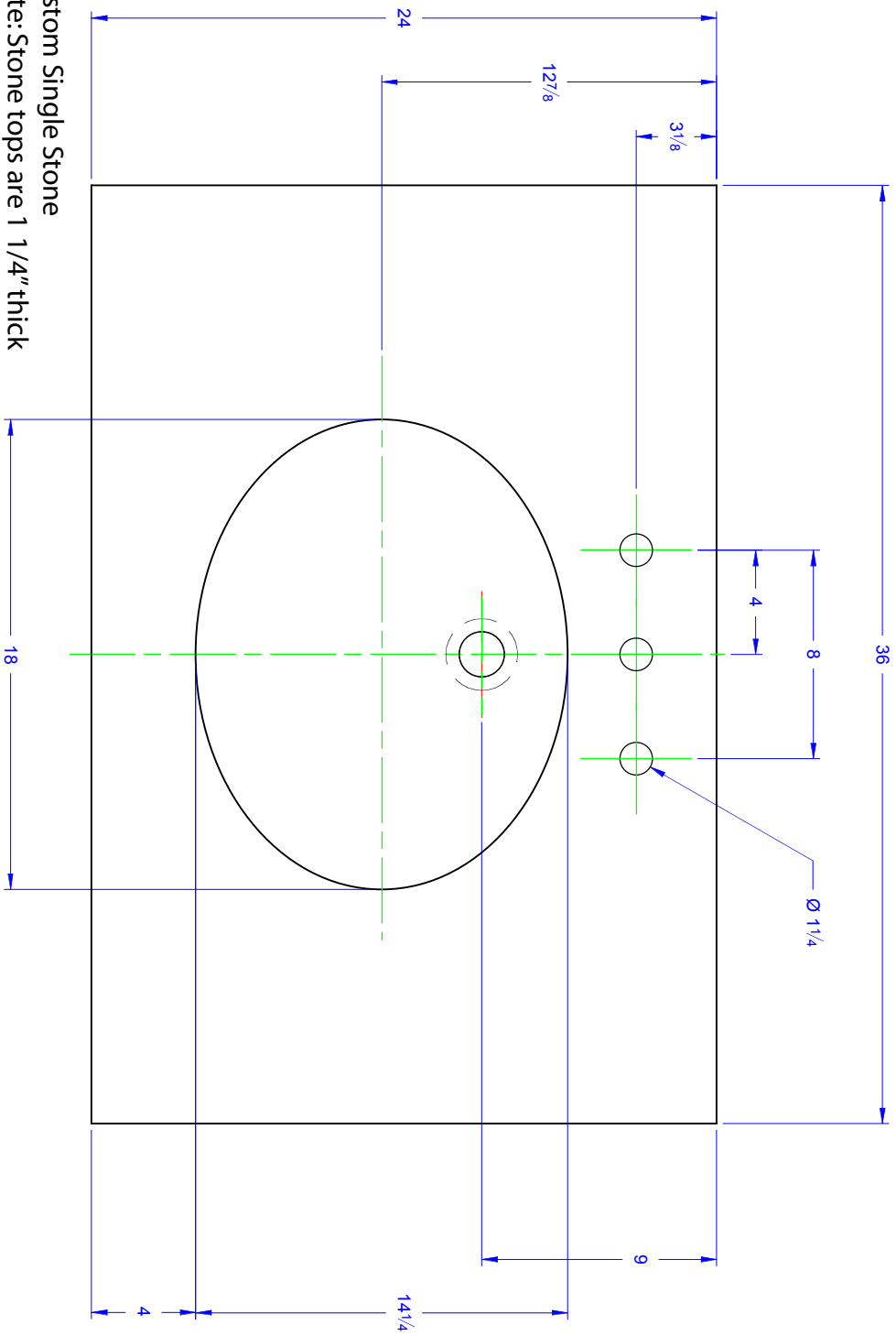
GRAMERCY SINGLE SINK WASHSTAND W/ GLASS LEGS

DRAWINGS REPRESENT ORIGINAL DESIGN SPECIFICATIONS. ACTUAL PRODUCT DIMENSIONS MAY VARY SLIGHTLY.
 ALL DIMENSIONS ARE REPRESENTED IN INCHES.
 PROFESSIONAL INSTALLATION REQUIRED.

Unless otherwise noted, all design and content, images, artwork, graphics, photography, text, and the like are copyrights, trademarks, trade dress, and/or intellectual property that are owned, controlled, or licensed by Restoration Hardware.
RESTORATION HARDWARE



Optional backplash sold separately.



Custom Single Stone

Note: Stone tops are 1 1/4" thick

GRAMERCY SINGLE STONE

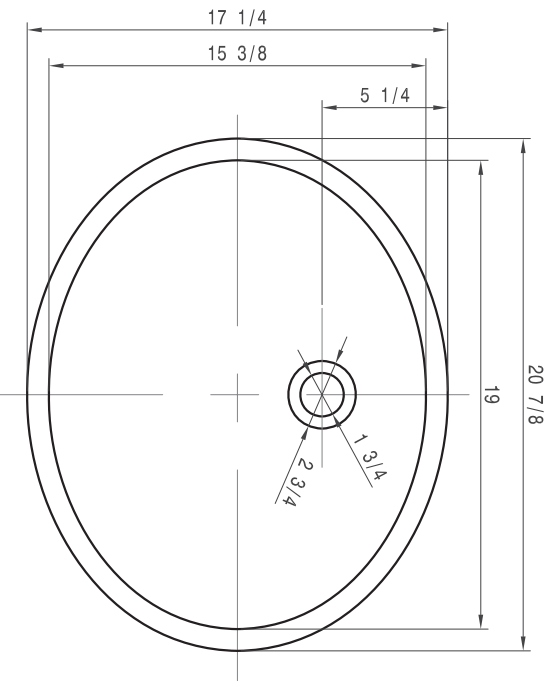
DRAWINGS REPRESENT ORIGINAL DESIGN SPECIFICATIONS. ACTUAL PRODUCT DIMENSIONS MAY VARY SLIGHTLY.

ALL DIMENSIONS ARE REPRESENTED IN INCHES.

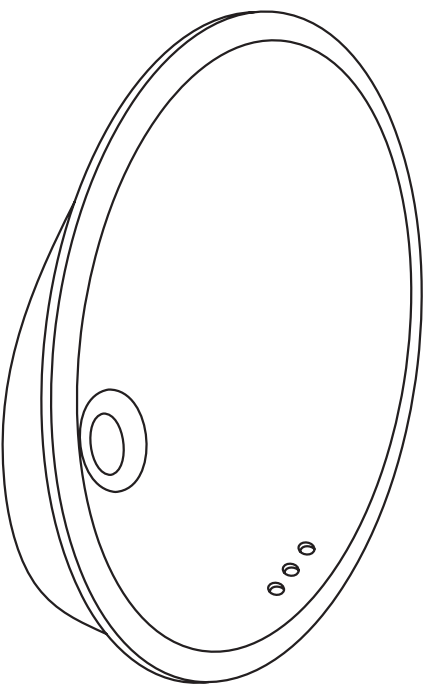
PROFESSIONAL INSTALLATION REQUIRED

RESTORATION HARDWARE

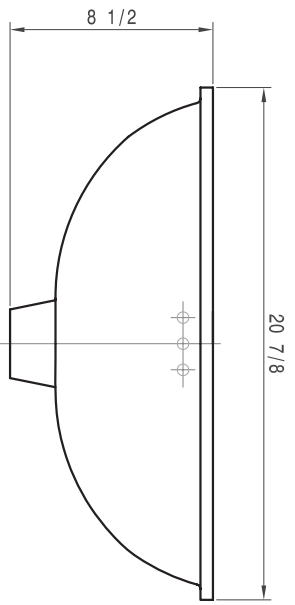
Unless otherwise noted, all design and content, images, artwork, graphics, photography, text, and the like are copyrights, trademarks, trade dress, and/or intellectual property that are owned, controlled, or licensed by Restoration Hardware.



TOP VIEW

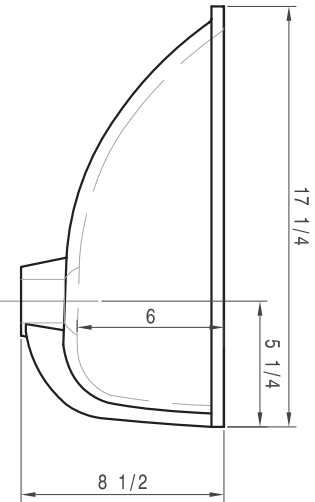


3D VIEW

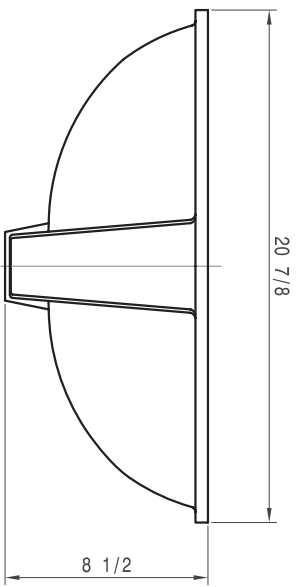


FRONT VIEW

19" BASIN TOLERANCE: ± 3%



SIDE VIEW



BACK VIEW

19 INCH BASIN

DRAWINGS REPRESENT ORIGINAL DESIGN SPECIFICATIONS. ACTUAL PRODUCT DIMENSIONS MAY VARY SLIGHTLY.

ALL DIMENSIONS ARE REPRESENTED IN INCHES.

PROFESSIONAL INSTALLATION REQUIRED

Unless otherwise noted, all design and content, images, artwork, graphics, photography, text, and the like are copyrights, trademarks, trade dress, and/or intellectual property that are owned, controlled, or licensed by Restoration Hardware.

RESTORATION HARDWARE