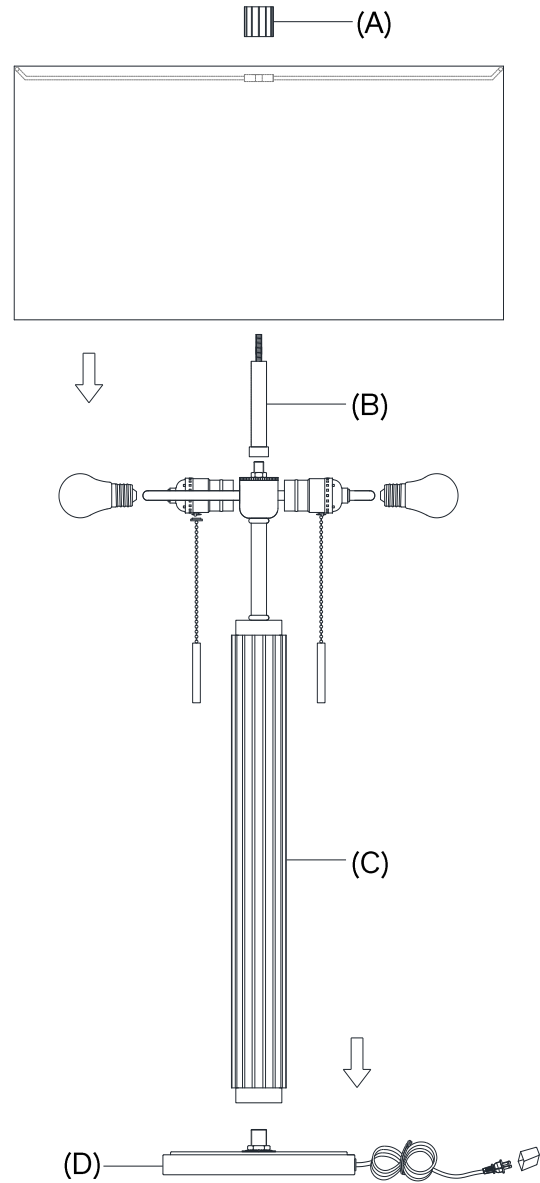


RH

DAVENPORT TABLE LAMP

PARTS ENCLOSED:

- (A) Finial (1)
- (B) Center Stem (1)
- (C) Center Column (1)
- (D) Base (1)



DAVENPORT TABLE LAMP

IMPORTANT PLEASE READ

SAFETY INSTRUCTIONS:

This fixture has been rated for 75 Watt type A bulb(s). To avoid risk of fire, do not exceed the recommended wattage.

WARNINGS:

Always unplug the lamp to cut electric power off before installing, cleaning, or other maintenance. Do not connect to electricity until your fixture is fully assembled. To reduce the risk of fire, electrical shock, or personal injury, always turn off fixture and allow it to cool prior to replacing the light bulb. Do not touch the bulb when fixture is turned on or look directly at lit bulb. Keep flammable materials away from lit bulb.

This lighting fixture contains lead, a chemical known to the State of California to cause cancer, birth defects and other reproductive harm. Wash hands after installing, handling, cleaning, or otherwise, touching this light fixture.



WARNING: This product can expose you to lead, which is known to the State of California to cause cancer and birth defects or other reproductive harm. For more information, go to www.P65Warnings.ca.gov.

THIS IS NOT A TOY AND THE PRODUCT HAS NO PLAY VALUE



WARNING: STRANGULATION HAZARD

Keep cord at least 3 ft away from cribs, bassinets, and toddler beds. Keep out of reach of children under 3.

ASSEMBLY & INSTALLATION:

1. Carefully remove the table lamp and all parts from the carton. Before discarding the carton double check the packaging to make sure that all parts have been found.
2. Attach the center stem to the center column.
3. Attach the center column to the base.
4. Place shade (not included) on the stem, and secure with finial.
5. Install bulbs (not included). **DO NOT EXCEED RECOMMENDED WATTAGE!**
6. Plug cord into wall outlet. Pull switch on socket.

CARE INSTRUCTIONS:

Wipe all surfaces with a soft, dry cloth. Do not use cleansers.