

PARTS ENCLOSED

(A) Junction Box (Not included.) 22.7kg/50lbs. MIN. FIXTURE RATED

(B) Pull Blasting Screw (Not included. 4 Set)

(C) Wire Nut (3)

(D) Bulb+Spare (5+2)

(E1) Chain (11.8inches) (12)

(E2) Chain (9.5inches) (20)

(E3) Chain (7.1inches) (24)

(E4) Chain (4.7inches) (36)

(E5) Chain (2.4inches) (44)

(F1) Quick Link (4)

(F2) Chain (4)

(F3) Quick Link (4)

(H1) Ceiling Hook (1)

(H2) Hang Straight (4)

(H3) Ceiling Box (1)

(H4) Screw Cap (4)

(I) Body (1)

(I1) Hang Straight (4)

(I2) Flushmount Plate (1)

(I3) Screw Cap (4)

PRODUCT DESCRIPTION:

General Material: Glass & Iron

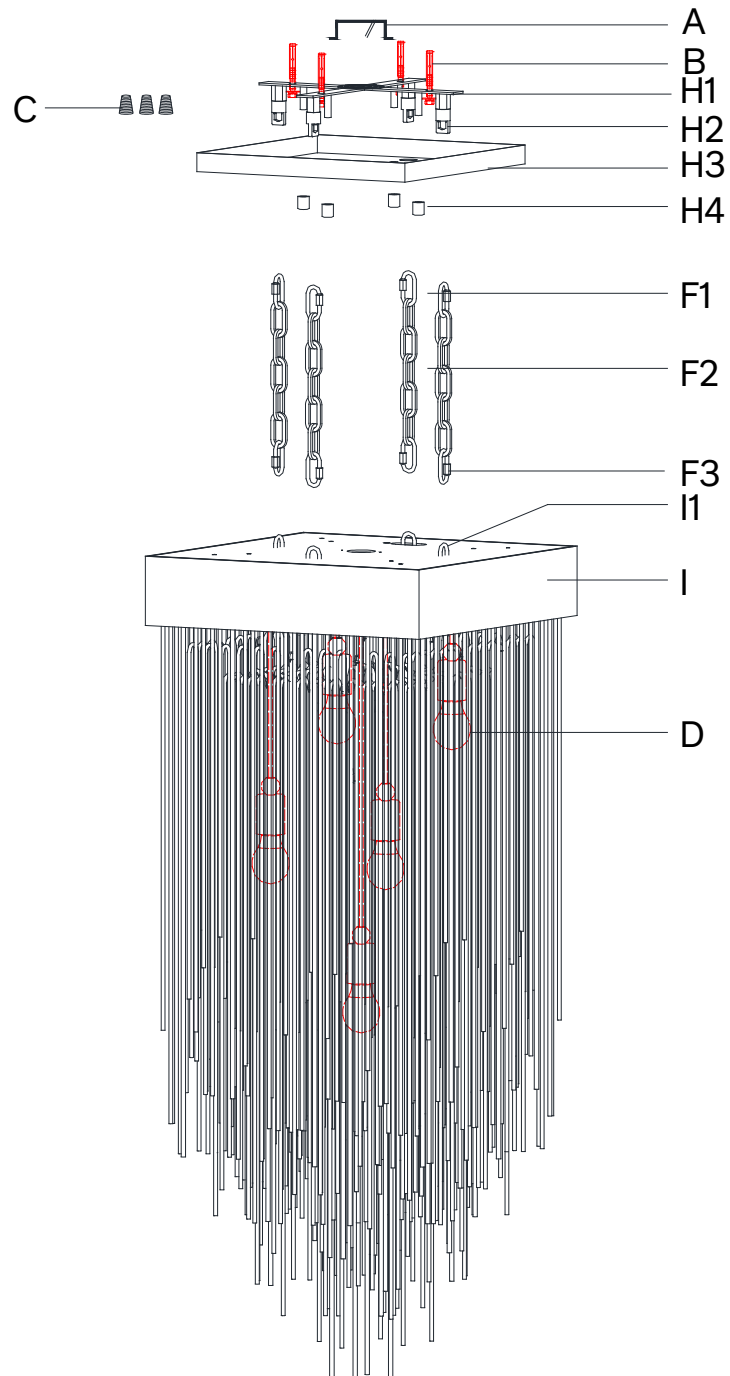
Height: 129.0cm (50.79in)

Width: 50.0cm (19.69in)

Length: 50.0cm (19.69in)

Weight: 60.95kg (134.37lbs)

Installation as pendant.



PARTS ENCLOSED

(A) Junction Box (Not included.) 22.7kg/50lbs. MIN. FIXTURE RATED

(B) Pull Blasting Screw (Not included. 4 Set)

(C) Wire Nut (3)

(D) Bulb+Spare (5+2)

(E1) Chain (11.8inches) (12)

(E2) Chain (9.5inches) (20)

(E3) Chain (7.1inches) (24)

(E4) Chain (4.7inches) (36)

(E5) Chain (2.4inches) (44)

(F1) Quick Link (4)

(F2) Chain (4)

(F3) Quick Link (4)

(H1) Ceiling Hook (1)

(H2) Hang Straight (4)

(H3) Ceiling Box (1)

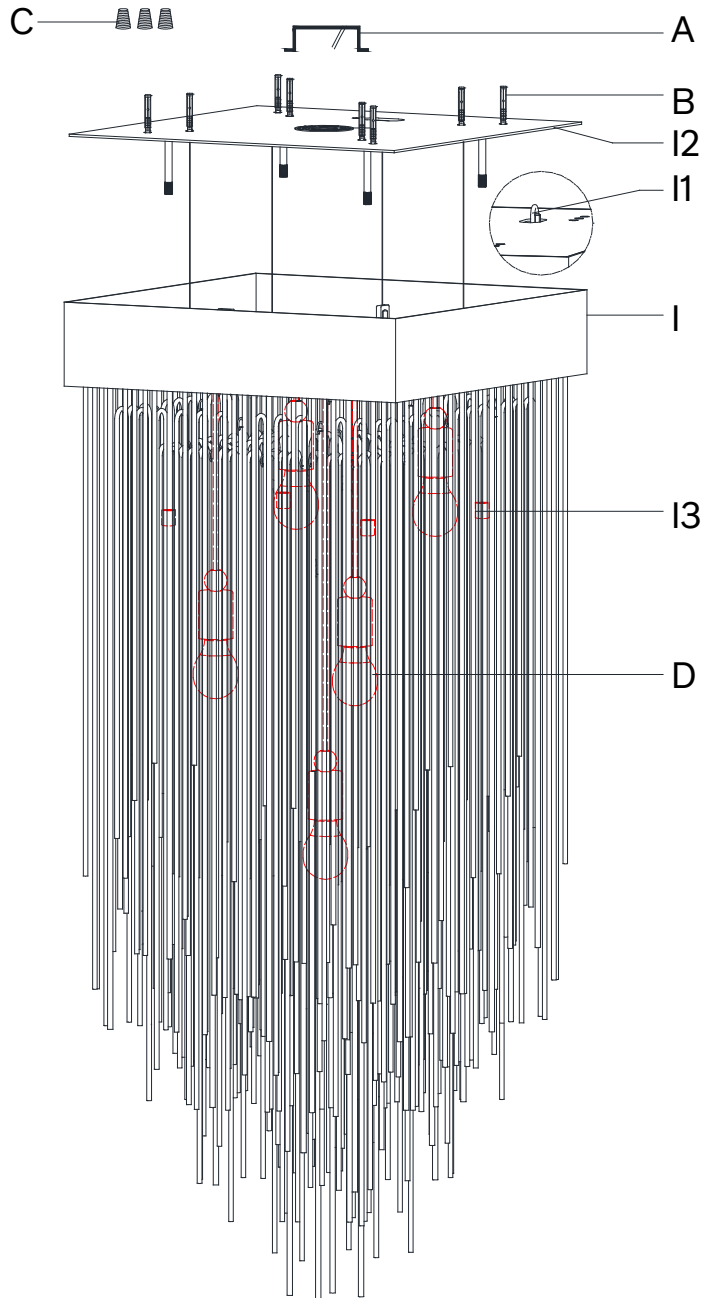
(H4) Screw Cap (4)

(I) Body (1)

(I1) Hang Straight (4)

(I2) Flushmount Plate (1)

(I3) Screw Cap (4)

Installation as flushmount.**PRODUCT DESCRIPTION:**

General Material: Glass & Iron

Height: 129.0cm (50.79in)

Width: 50.0cm (19.69in)

Length: 50.0cm (19.69in)


Weight: 60.95kg (134.37lbs)

IMPORTANT PLEASE READ**WE RECOMMEND INSTALLATION BY A LICENSED ELECTRICIAN.****SAFETY INSTRUCTIONS:**

1. Use an authorized and certified electrician for consultation and installation.
2. This fixture has been rated for 5 x 5-watt maximum E26 LED standard bulb.
3. To avoid the risk of fire, do not exceed the recommended wattage.
4. The ceiling must have at least the capacity of 5 times the weight of the ceiling light. For this light, at least a ceiling capacity of 304.75kg (671.84lbs) is required.
5. The manufacturer and distributor accept no liability for incorrect installation.
6. For indoor use only.
7. Keep away from children.
8. This product must be installed in accordance with the applicable installation code by a person is familiar with the construction, operation, and hazards involved.

WARNINGS:

1. Turn off electricity supply at main circuit panel before installing. Do not connect electricity supply until your ceiling light is fully assembled and installed.
2. All wires are connected. Do not remove the ceiling light from its packaging by pulling on the power cord, as a bad connection may result.
3. To reduce the risk of fire, electrical shock, or personal injury when replacing light bulb, do not touch bulb when fixture is turned on. Always turn off the ceiling light and allow it to cool prior to changing bulb. Never look directly at a lite bulb. Keep flammable materials away from lite bulb.
4. Deviation from instructions may result in a risk of fire or electric shock.

 **WARNING:** This product can expose you to lead, which is known to the State of California to cause cancer and birth defects or other reproductive harm. For more information, go to www.P65Warnings.ca.gov.

THIS IS NOT A TOY AND THE PRODUCT HAS NO PLAY VALUE.

 **WARNING: STRANGULATION HAZARD**

Keep cord at least 3 ft away from cribs, bassinets, and toddler beds. Keep out of reach of children under 3.

ASSEMBLY & INSTALLATION:

Installation as pendant.

1. Carefully remove all parts from the box and remove all plastic covering.
2. Turn OFF power to the junction box where the ceiling light will be installed. Unlock quick link (F3) to attach the hang straight (I1) on the body (I).
3. Loosen the screw cap (H4) from ceiling box (H3) and remove the ceiling plate (H1) from ceiling box (H3).
4. Attach the ceiling plate (H1) to the ceiling with pull blasting screws (B).
5. Insert quick link (F1) into ceiling box (H3).
6. Unlock quick link (F1) to attach the hang straight (H2) on the ceiling plate (H1).
7. Connect the ground wire from the fixture to the ground junction box wire (A) (usually the green or bare wire) with a wire nut (C) and wrap the connection with electrical tape. Connect the hot wire to the hot junction box wire (A) (usually black or smooth) with a plastic wire nut (C) and wrap the connection with electrical tape. Connect the neutral wire to the neutral junction box wire (A) (usually white or ribbed) with a plastic wire nut (C) and wrap the connection with electrical tape.
8. Move the ceiling box (H3) up to the ceiling, then fasten the screw caps (H4).
9. Fasten light bulbs (D) to the lamp holders.
10. Hang the chain (E1) to the center layer of the body (I). Then hang chains (E2 / E3 / E4 / E5) to the body (I). Refer to schematic diagram of Cascada glass installation.
11. Hang the glass accessories and copper rods according to Cascada glass intention showed. The numbers are shown for each layer on the drawing.
12. Restore power to the junction box and test ceiling light fixture.

CARE INSTRUCTIONS:

1. Make sure that the power is turned off and bulb has cooled before handling.
2. Wipe clean with a dry cloth / mild soapy solution. Do not use corrosive cleaners.
3. The cable / cord of this ceiling light cannot be replaced; if the cable is damaged, do not use the light.

ENVIRONMENT:


Special waste handling may be required. Please contact your local authorities for more information.

IMPORTANT PLEASE READ**WE RECOMMEND INSTALLATION BY A LICENSED ELECTRICIAN.****SAFETY INSTRUCTIONS:**

1. Use an authorized and certified electrician for consultation and installation.
2. This fixture has been rated for 5 x 5-watt maximum E26 LED standard bulb.
3. To avoid the risk of fire, do not exceed the recommended wattage.
4. The ceiling must have at least the capacity of 5 times the weight of the ceiling light. For this light, at least a ceiling capacity of 304.75kg (671.84lbs) is required.
5. The manufacturer and distributor accept no liability for incorrect installation.
6. For indoor use only.
7. Keep away from children.
8. This product must be installed in accordance with the applicable installation code by a person is familiar with the construction, operation, and hazards involved.

WARNINGS:

1. Turn off electricity supply at main circuit panel before installing. Do not connect electricity supply until your ceiling light is fully assembled and installed.
2. All wires are connected. Do not remove the ceiling light from its packaging by pulling on the power cord, as a bad connection may result.
3. To reduce the risk of fire, electrical shock, or personal injury when replacing light bulb, do not touch bulb when fixture is turned on. Always turn off the ceiling light and allow it to cool prior to changing bulb. Never look directly at lite bulb. Keep flammable materials away from lite bulb.
4. Deviation from instructions may result in a risk of fire or electric shock.

 **WARNING:** This product can expose you to lead, which is known to the State of California to cause cancer and birth defects or other reproductive harm. For more information, go to www.P65Warnings.ca.gov.

THIS IS NOT A TOY AND THE PRODUCT HAS NO PLAY VALUE.

 **WARNING: STRANGULATION HAZARD**

Keep cord at least 3 ft away from cribs, bassinets, and toddler beds. Keep out of reach of children under 3.

ASSEMBLY & INSTALLATION:

Installation as flushmount.

1. Carefully remove all parts from the box and remove all plastic covering.
2. Turn OFF power to the junction box where the ceiling light will be installed.
3. Loosen the screw cap (I3) from body (I) and remove the flushmount plate (I2) from body (I).
4. Drill eight holes in the ceiling corresponding with flushmount plate (I2). Attach the flushmount plate (I2) to the ceiling with pull blasting screws (B).
5. Connect the ground wire from the fixture to the ground junction box wire (A) (usually the green or bare wire) with a wire nut (C) and wrap the connection with electrical tape. Connect the hot wire to the hot junction box wire (A) (usually black or smooth) with a plastic wire nut (C) and wrap the connection with electrical tape. Connect the neutral wire to the neutral junction box wire (A) (usually white or ribbed) with a plastic wire nut (C) and wrap the connection with electrical tape.
6. Move the body (I) up to the ceiling, then fasten the screw caps (H4).
7. Fasten light bulbs (D) to the lamp holders.
8. Hang the chain (E1) to the center layer of the body (I). Then hang chains (E2 / E3 / E4/ E5) to the body (I). Refer to schematic diagram of Cascada glass installation.
9. Hang the glass accessories and copper rods according to Cascada glass intention showed. The numbers are shown for each layer on the drawing.
10. Restore power to the junction box and test ceiling light fixture.

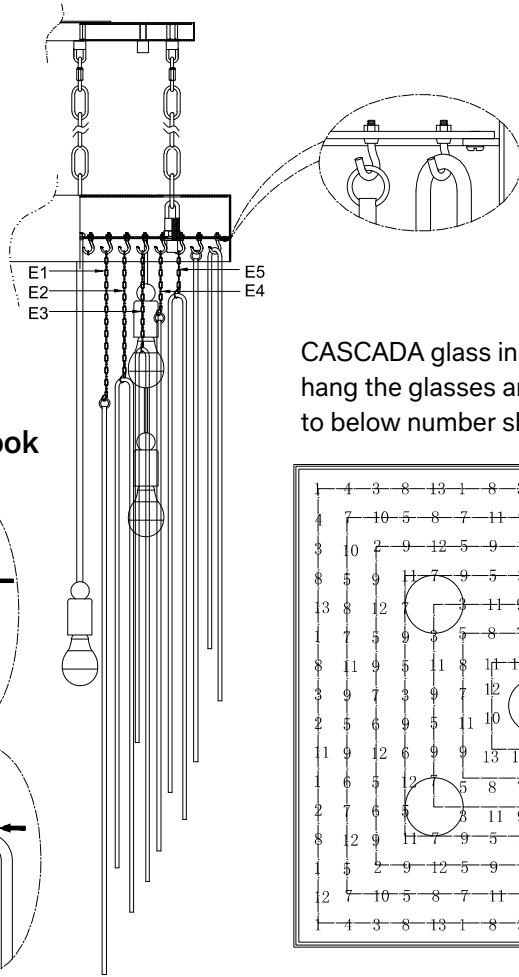
CARE INSTRUCTIONS:

1. Make sure that the power is turned off and bulb has cooled before handling.
2. Wipe clean with a dry cloth / mild soapy solution. Do not use corrosive cleaners.
3. The cable / cord of this ceiling light cannot be replaced; if the cable is damaged, do not use the light.

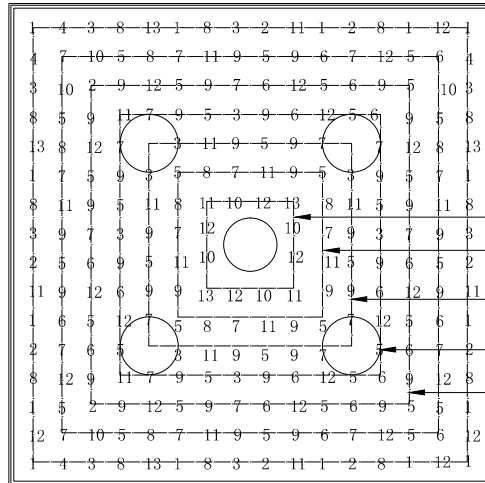
ENVIRONMENT:

Special waste handling may be required. Please contact your local authorities for more information.

Schematic diagram of CASCADA glass installation:



CASCADA glass installation:
hang the glasses and copper rods according
to below number showed.



- E1 (hang chain to this layer)
- E2 (hang chain to this layer)
- E3 (hang chain to this layer)
- E4 (hang chain to this layer)
- E5 (hang chain to this layer)

1	2	3	4	5	6	7	8	9	10	11	12	13
16+1pcs	10+1pcs	16+1pcs	4+1pcs	38+1pcs	20+1pcs	26+1pcs	20+1pcs	40+1pcs	8pcs	20pcs	24pcs	6pcs