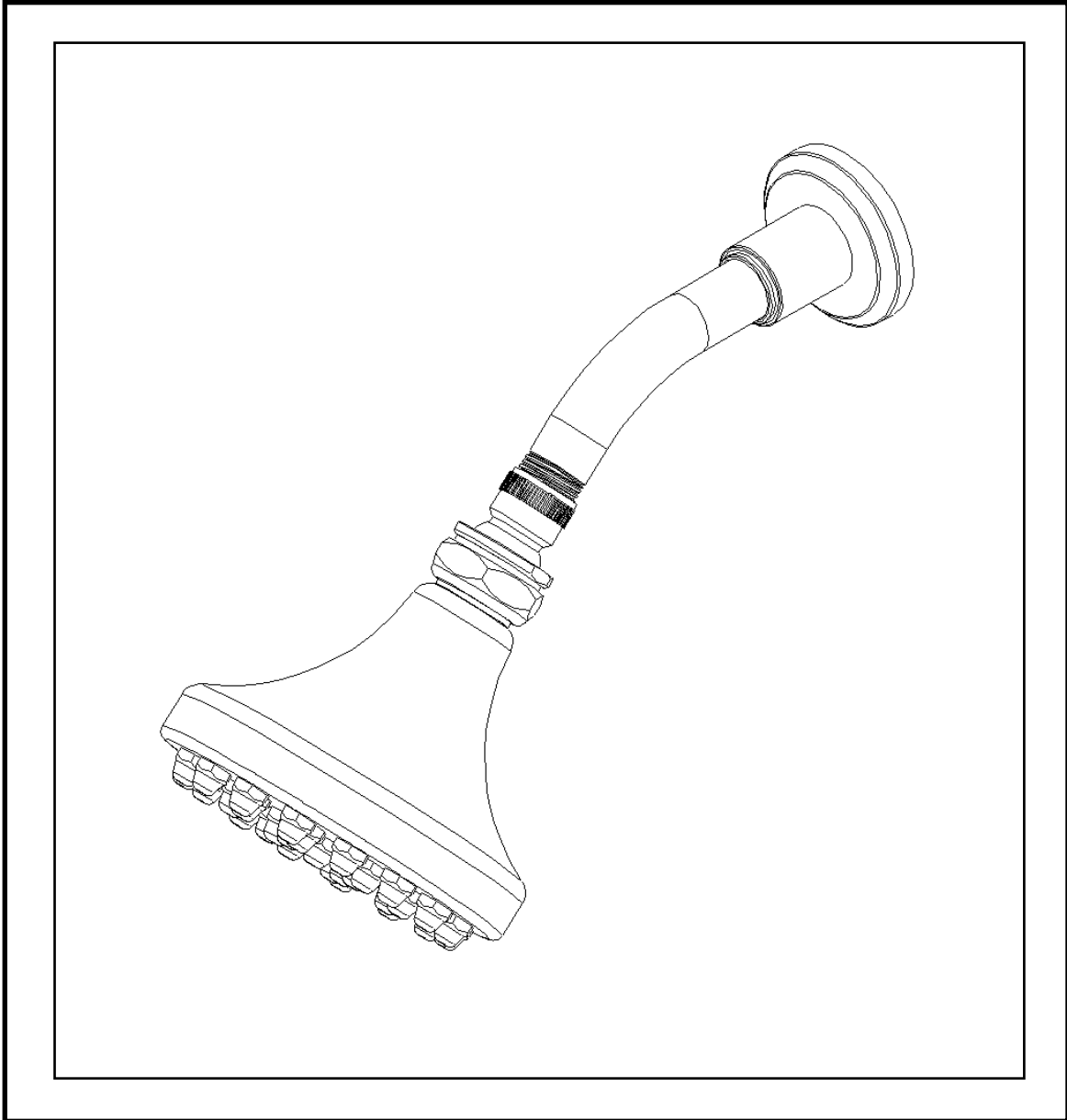




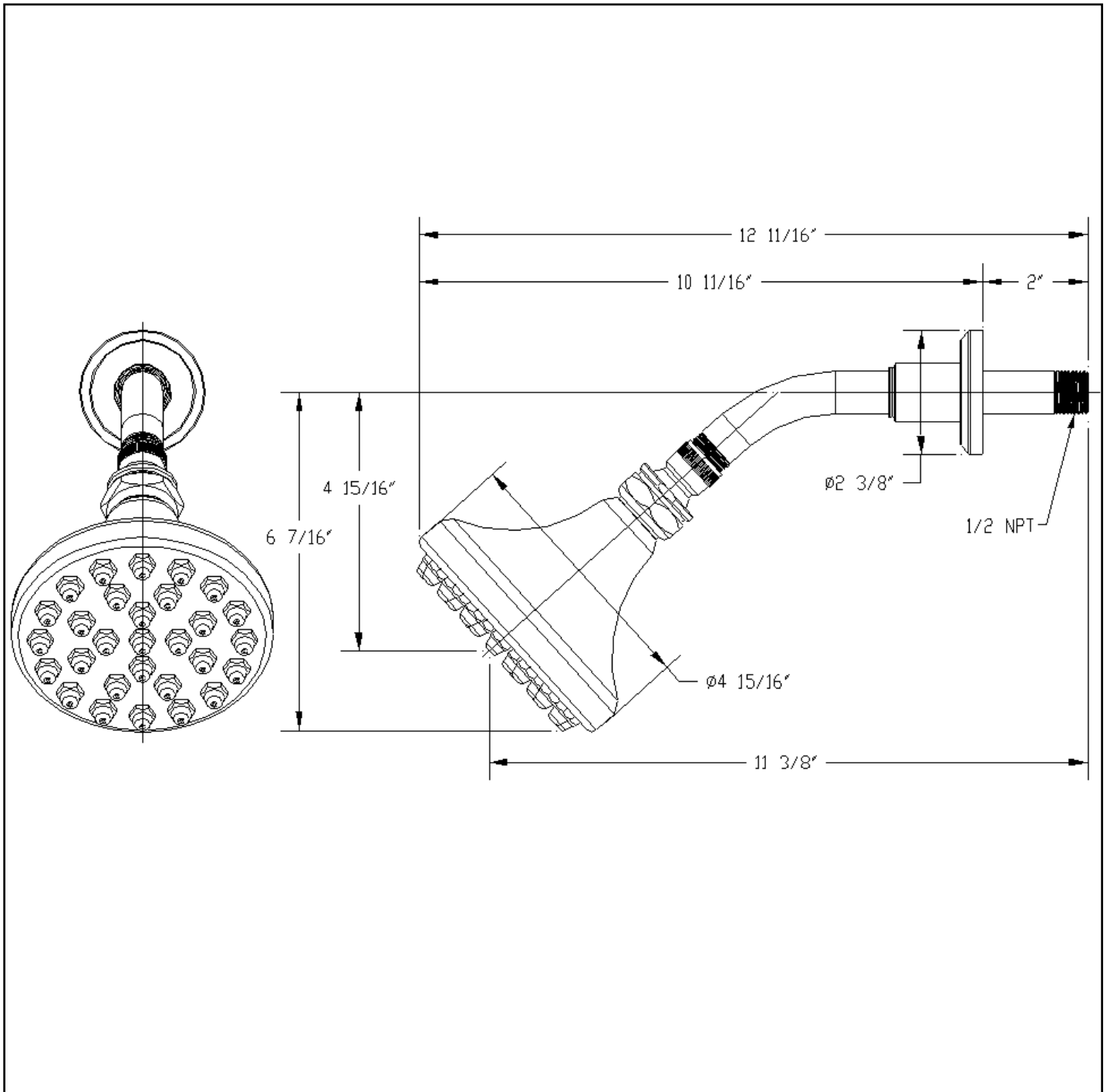
INSTALLATION INSTRUCTIONS



MODEL: JET SPRAY SHOWERHEAD

RH-214

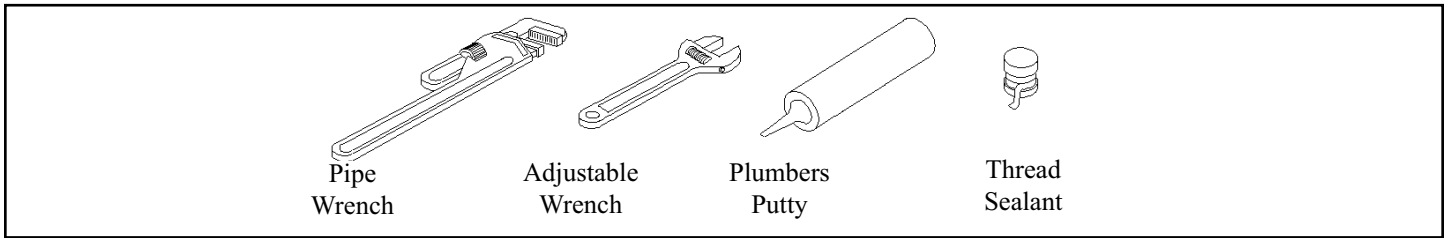
Restoration Hardware Showerhead Specification Diagram



All Threaded Connections are $\frac{1}{2}''$ NPT

Dimensions are in Inches and Approximation of a Typical Installation

Common tools needed:

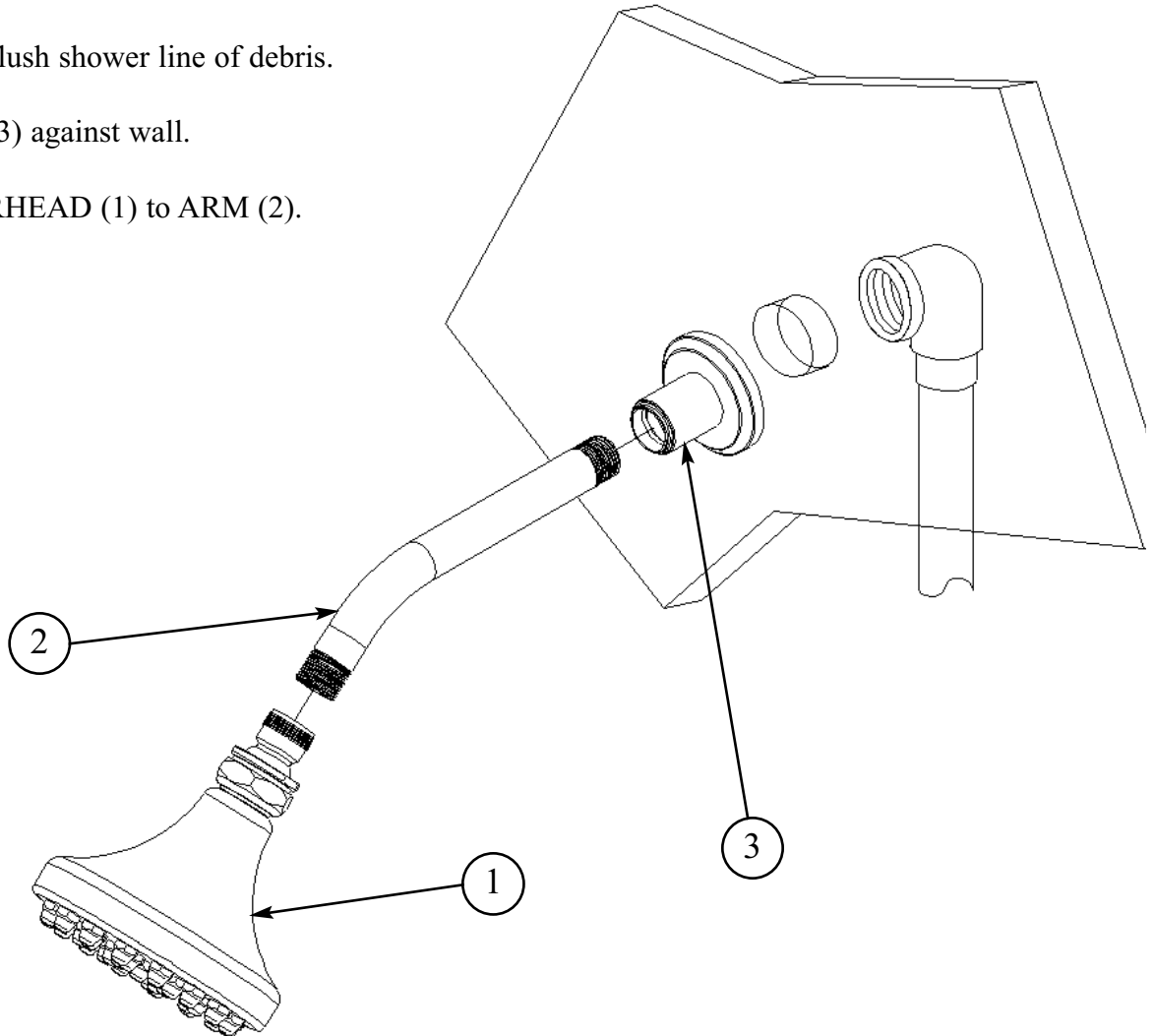


Installation Instructions

We Recommend Installation by a Licensed Plumbing Professional

Showerhead Installation

- Slide shower ARM (2) through the FLANGE (3).
- Apply thread sealant to both ends of the ARM (2) and thread into fitting inside finished wall.
- Turn on water supply, check for leaks and make any final adjustments required.
- Open valve and flush shower line of debris.
- Slide FLANGE (3) against wall.
- Attach SHOWERHEAD (1) to ARM (2).



Care and Cleaning

The lustrous finish on your Restoration Hardware Bathware fixture should be treated with care. Improper handling or cleaning can damage the surface of any metal finish. Use a soft cloth to wipe clean. Avoid harsh abrasive cleaner. Water contains lime and other mineral deposits that will be left on the surface after the water has evaporated. You can prevent these deposits from forming by always wiping the fixture dry immediately after use.

Technical Support and Customer Service

For technical support in the installation of your Restoration Hardware Bathware fixture, please call 1-866-417-5207 weekdays between the hours of 7:00am and 4:00pm PST.

For other questions regarding your order, to order additional components of the Restoration Hardware Bathware Collection, to order replacement parts, or to address warranty issues, please contact Restoration Hardware Customer Service at 1-877-747-4671.