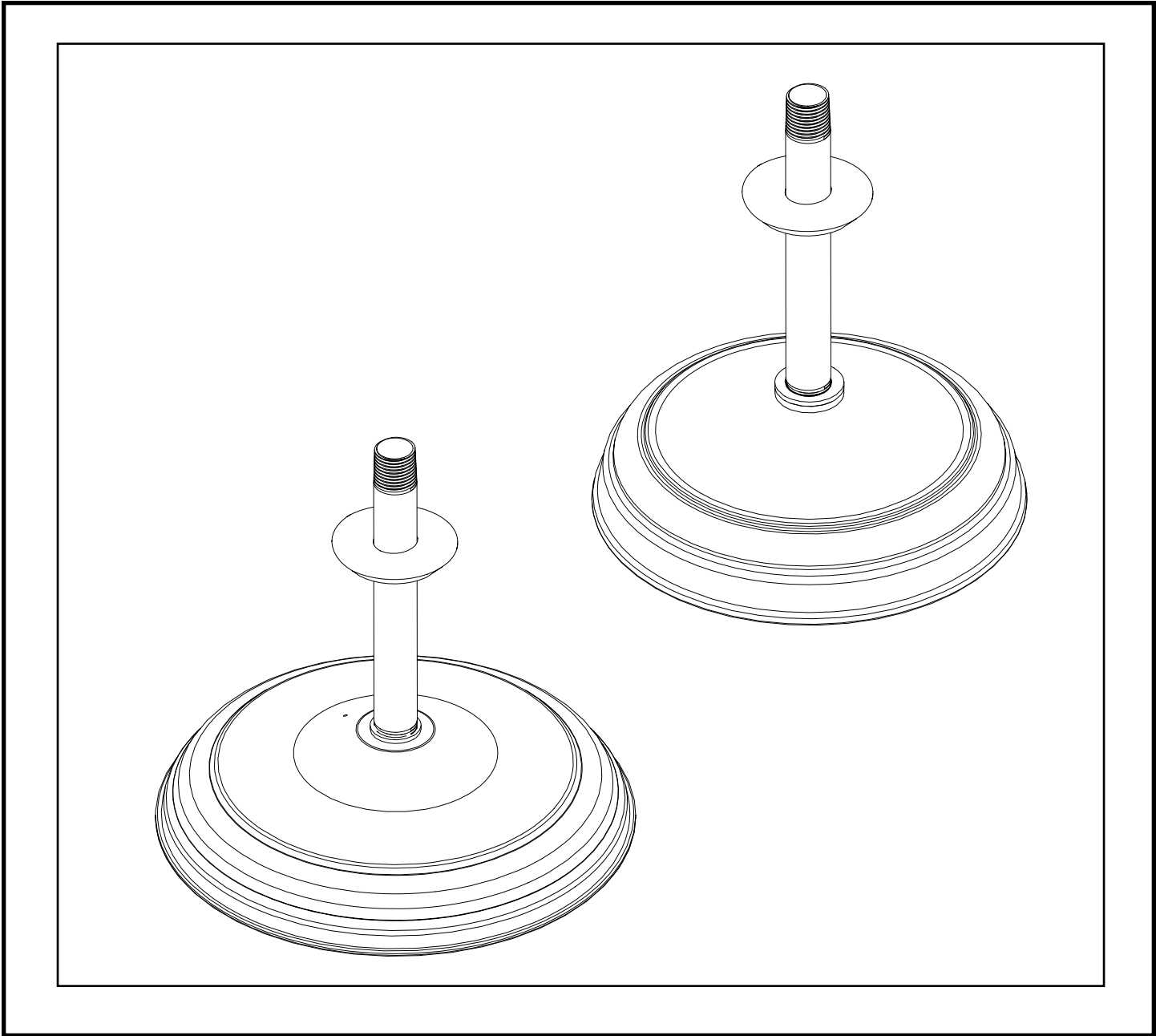




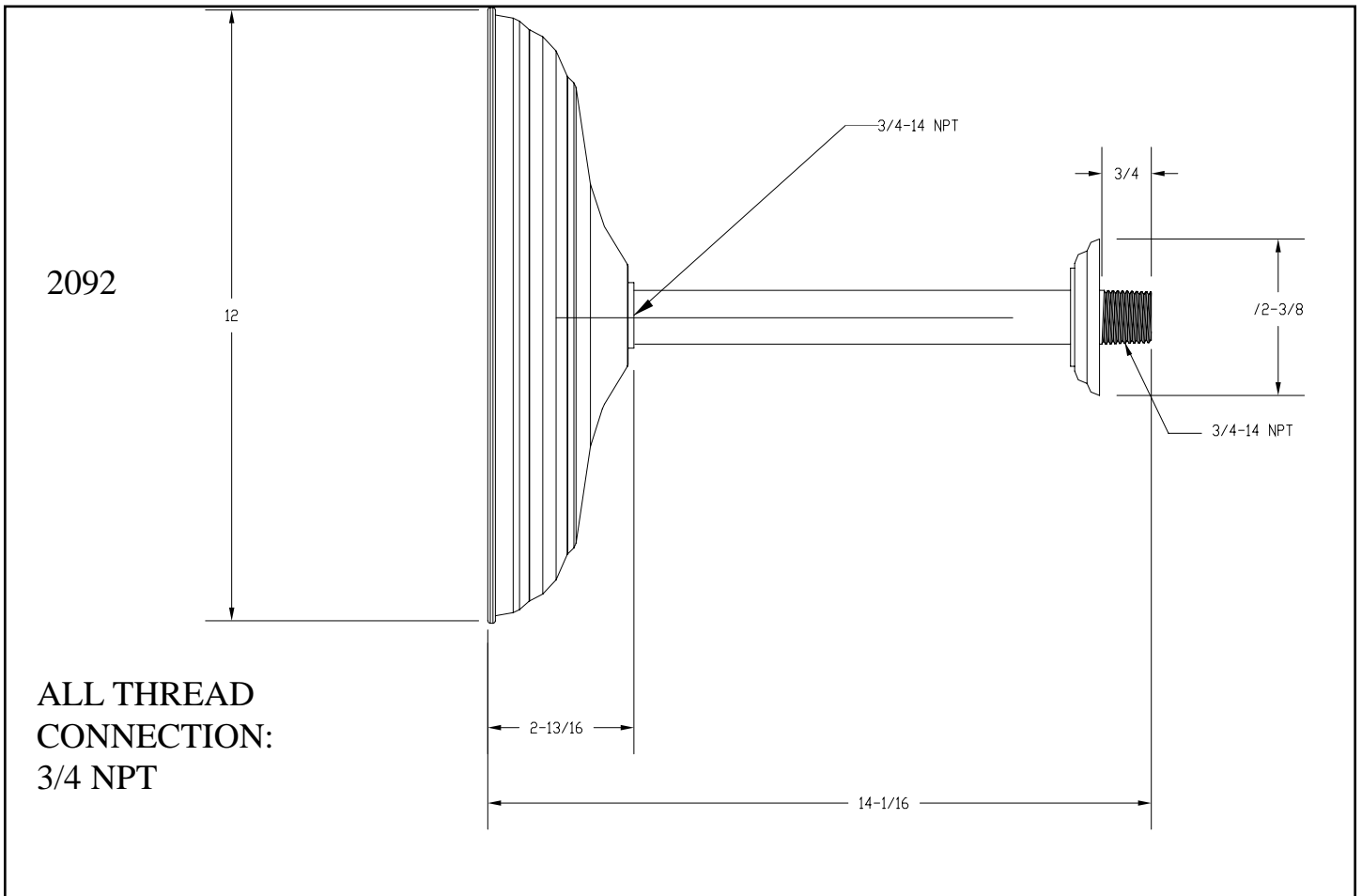
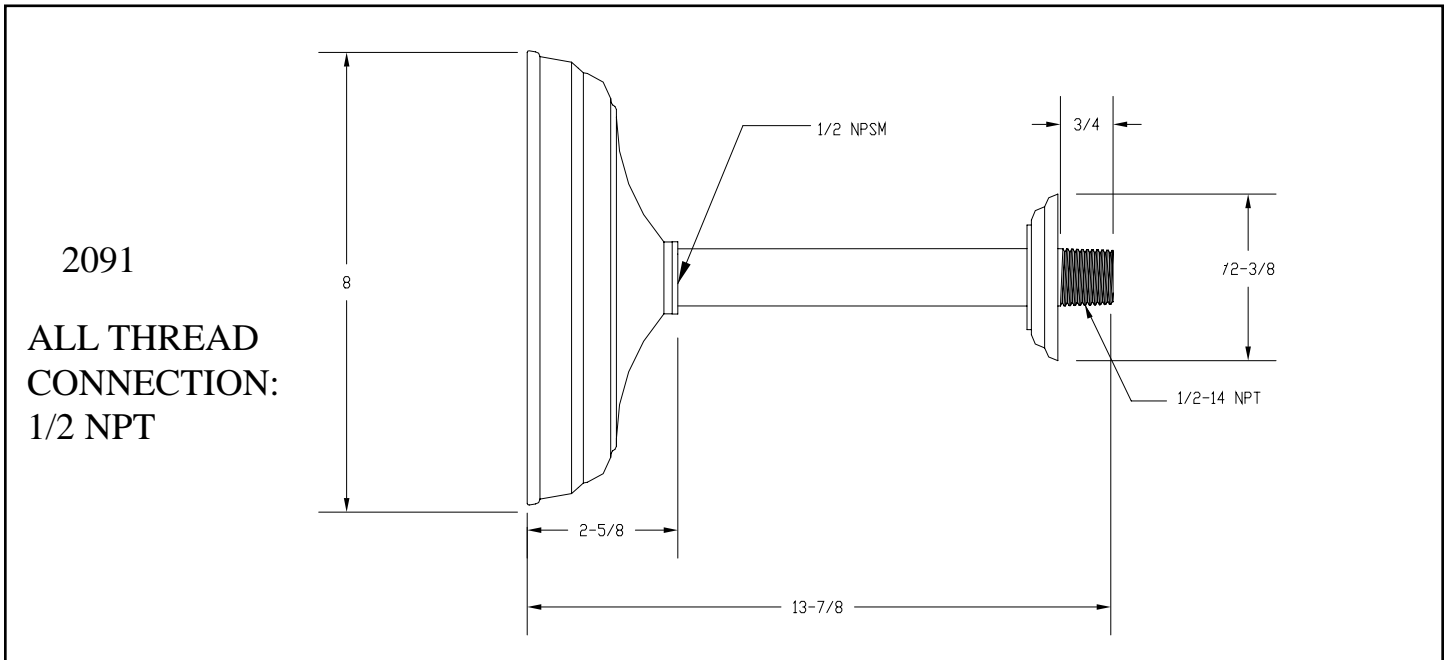
# INSTALLATION INSTRUCTIONS



**Model No: RH-2091, RH-2092**

**8" & 12" Rain Showerhead**

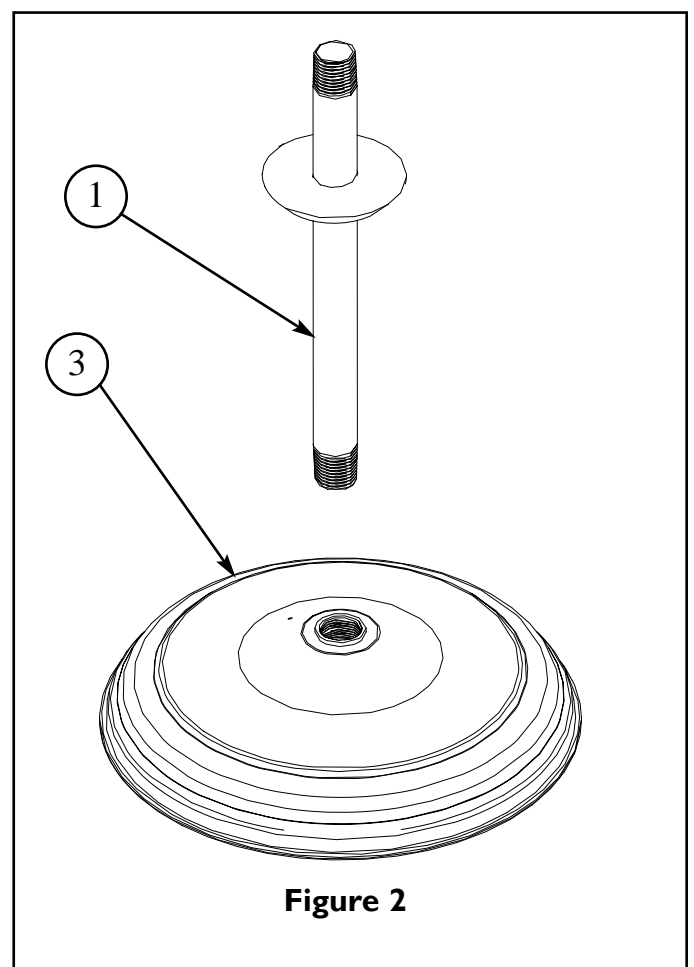
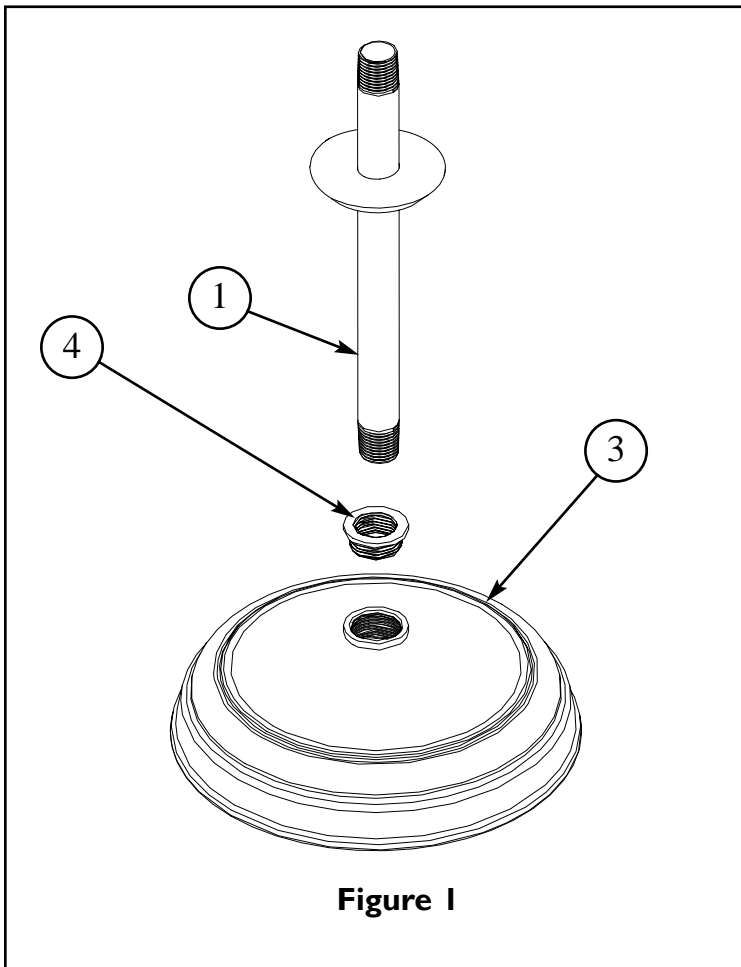
# Restoration Hardware Product Size Specification Diagram



## Recommended Installation by a Professional Plumbing Contractor

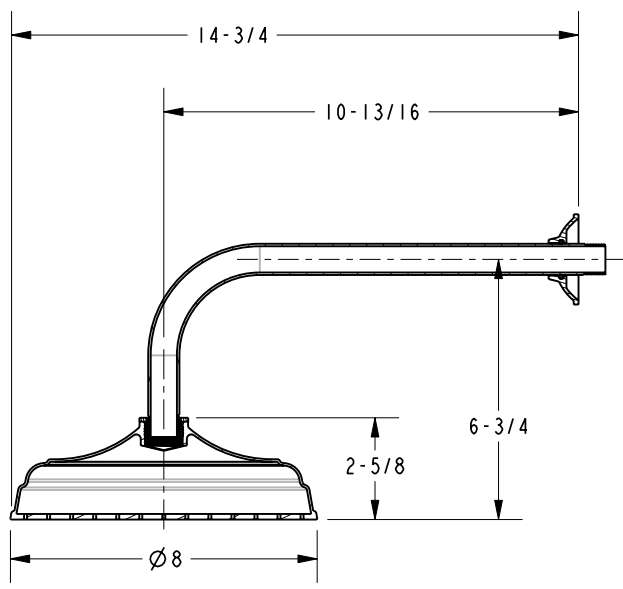
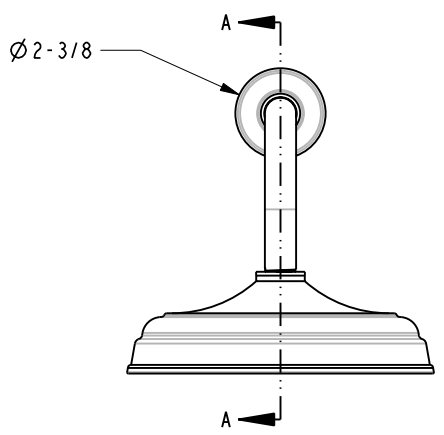
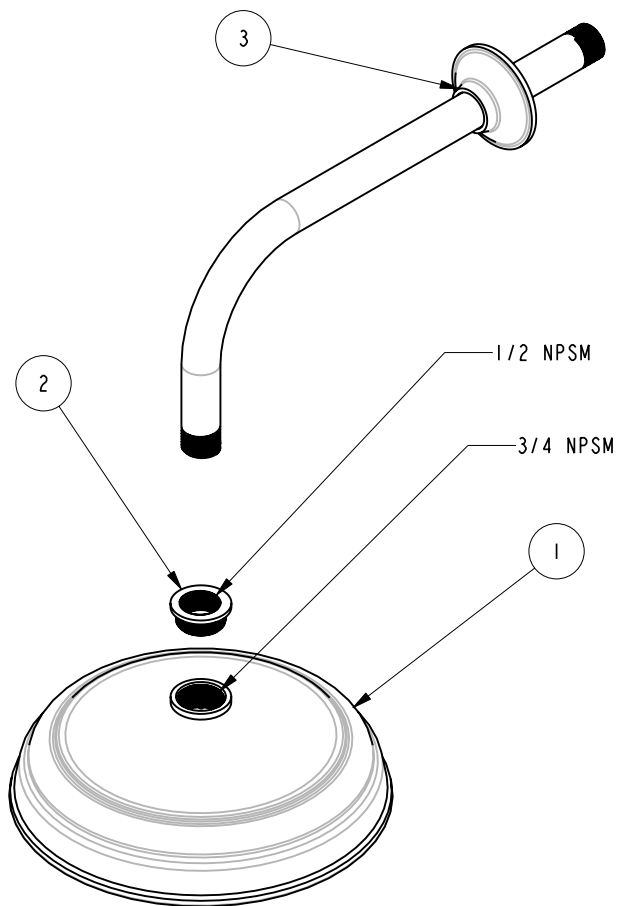
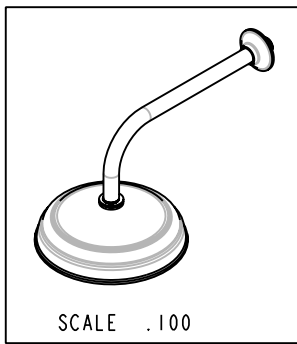
Note: The use of petroleum base plumbers putty on our products will nullify the warranty. We recommend the use of clear silicone sealing materials.

- Apply thread sealant to both ends of NIPPLE (1).
- Thread one end of NIPPLE (1) into mixed water supply behind finished ceiling. Place ESCUTCHEON (2) over NIPPLE (1).
- For model 2091, apply thread sealant to ADAPTER (4) and attach to SHOWER HEAD (3).
- Thread SHOWER HEAD (3) to other end of NIPPLE (1). See Figure 1 and 2.
- Check for leaks and make any final adjustments required.



**BILL OF MATERIAL (CURRENT LEVEL)**

ITEM	PT/ASSY	DESCRIPTION	TYPE	QTY.
1	50491	SHOWER HEAD	PART	1
2	50492	ADAPTER - 1/2 X 3/4 THD	PART	1
3	2072	12" SHOWER ARM & FLANGE	ASSEMBLY	1



SECTION A-A  
SCALE .200

**BRASSTECH**  
INCORPORATED

2001 E. CARNEGIE AVE.  
SANTA ANA, CA 92705  
(949) 417-5207

8" WALL SHOWERHEAD 12" ARM

ASSY. NO.	RH-2091-12W			-	-	-
SCALE .250	REF. -	SHEET   OF	REV	REV DESC	DATE	
				EO-0807	2/6/07	

COPYRIGHT 2005 BRASSTECH, INC. THESE DRAWINGS AND THE DESIGNS DEPICTED HEREIN ARE THE PROPRIETARY PROPERTY OF BRASSTECH. ANY USE OR REPRODUCTION IS SUBJECT TO THE EXPRESS APPROVAL OF BRASSTECH. UNAUTHORIZED USE IS STRICTLY PROHIBITED. ALL RIGHTS RESERVED.

## Care and Cleaning

The lustrous finish on your Restoration Hardware Bathware fixture should be treated with care. Improper handling or cleaning can damage the surface of any metal finish. Use a soft cloth to wipe clean. Avoid harsh abrasive cleaner. Water contains lime and other mineral deposits that will be left on the surface after the water has evaporated. You can prevent these deposits from forming by always wiping the fixture dry immediately after use.

## Technical Support and Customer Service

For technical support in the installation of your Restoration Hardware Bathware fixture, please call 1-866-417-5207 weekdays between the hours of 7:00am and 4:00pm PST.

For other questions regarding your order, to order additional components of the Restoration Hardware Bathware Collection, to order replacement parts, or to address warranty issues, please contact Restoration Hardware Customer Service at 1-877-747-4671.