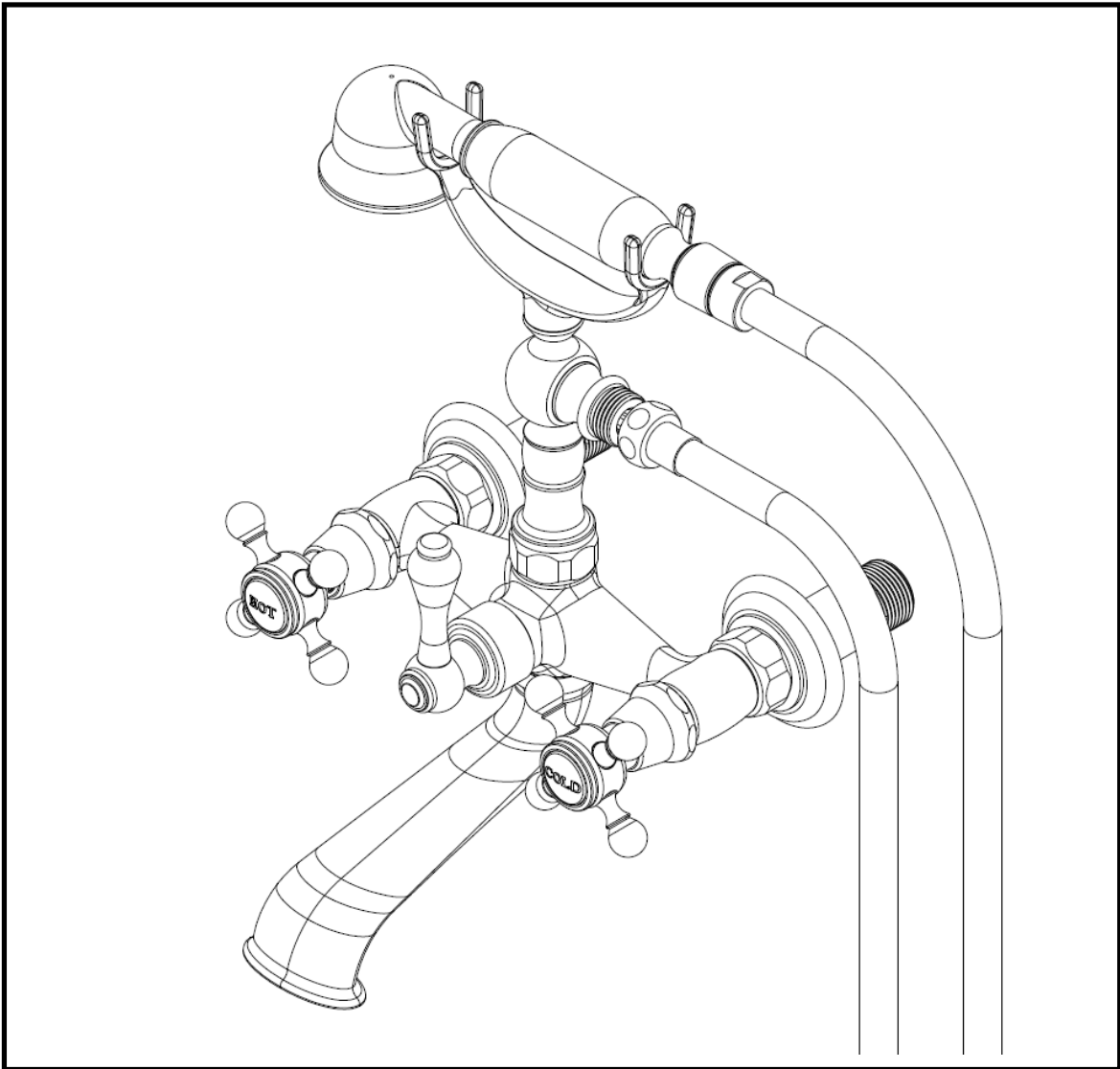




INSTALLATION INSTRUCTIONS

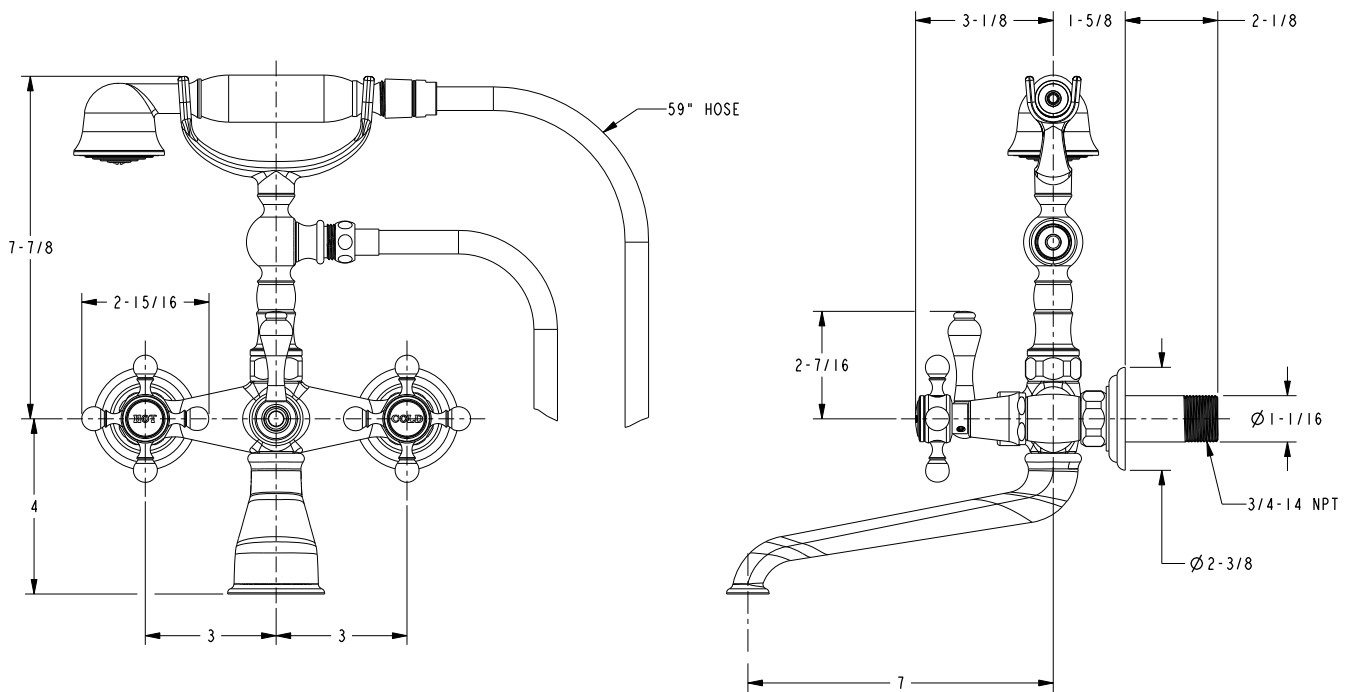


EXPOSED T WITH HAND SHOWER

Model No: RH-934

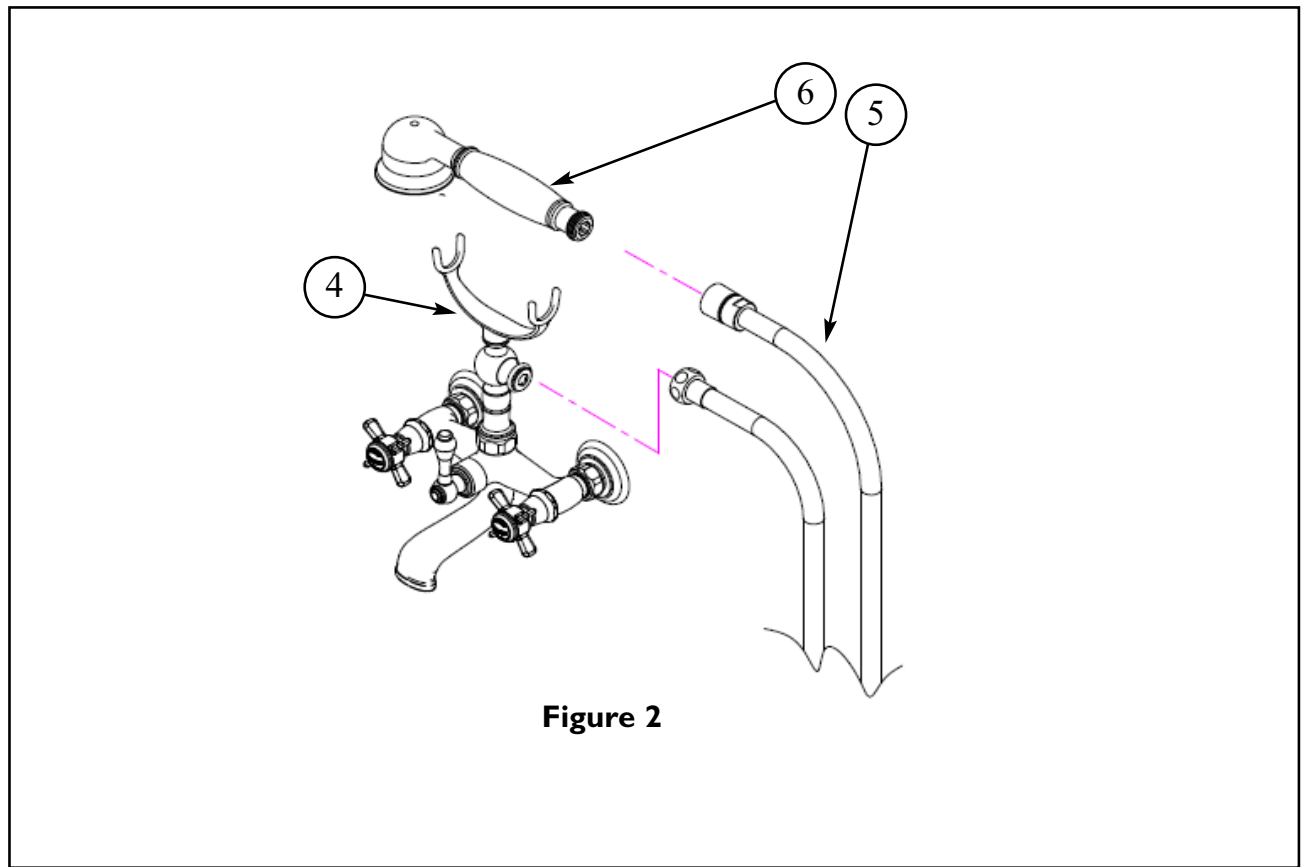
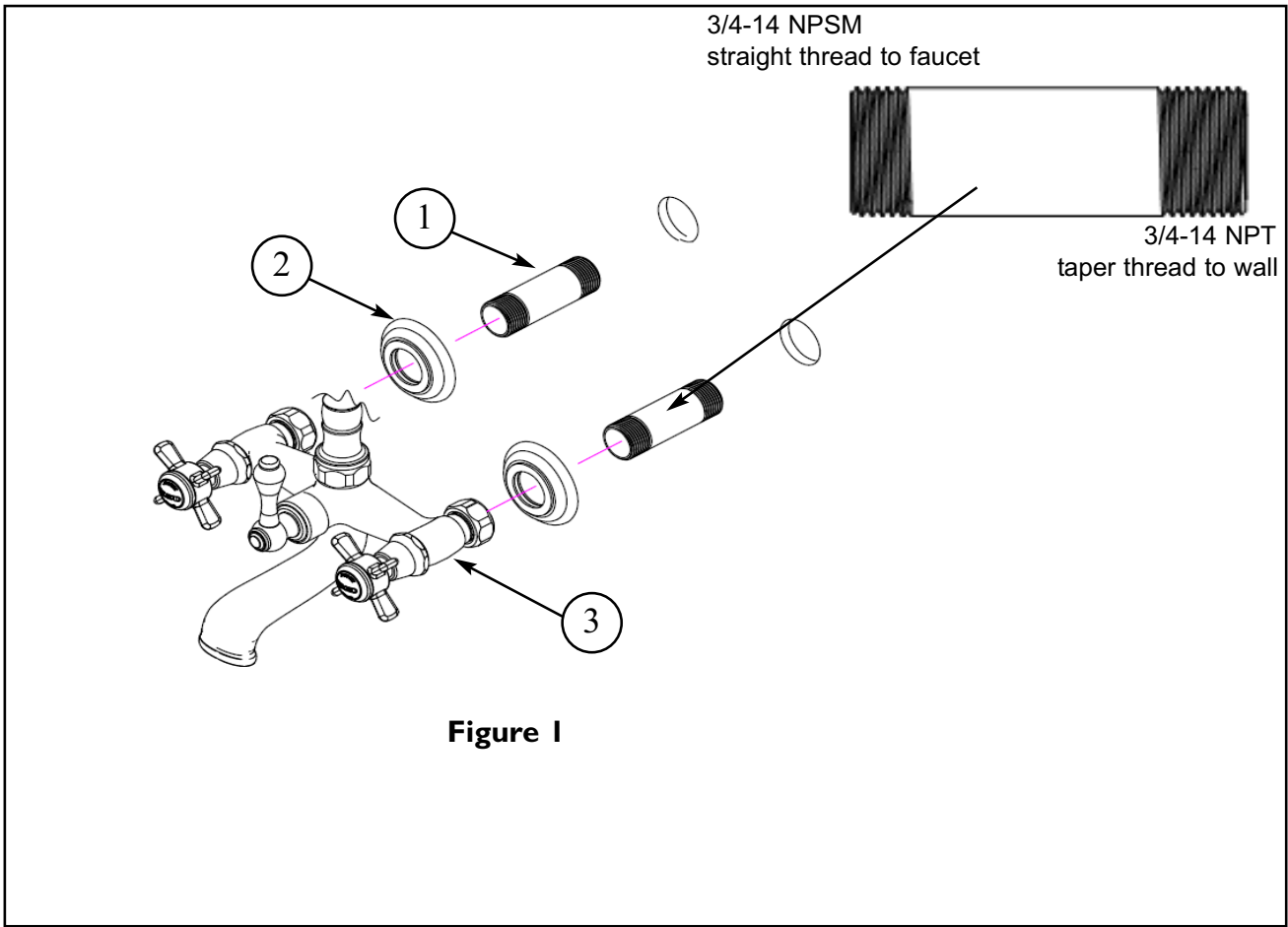
Restoration Hardware

Product Size Specification Diagram



Recommended Installation by a Professional Plumbing Contractor

- Note: The use of petroleum base plumbers putty on our products will nullify the warranty. We recommend the use of clear silicone sealing materials. Recommended deck hole 2 @ $\varnothing 1.25$ and 6" apart - center to center. Based on finished wall thickness, installer must use appropriate length 3/4" NPT NIPPLE (1), not included, for faucet installation.



Care and Cleaning

The lustrous finish on your Restoration Hardware Bathware fixture should be treated with care. Improper handling or cleaning can damage the surface of any metal finish. Use a soft cloth to wipe clean. Avoid harsh abrasive cleaner. Water contains lime and other mineral deposits that will be left on the surface after the water has evaporated. You can prevent these deposits from forming by always wiping the fixture dry immediately after use.

Technical Support and Customer Service

For technical support in the installation of your Restoration Hardware Bathware fixture, please call 1-866-417-5207 weekdays between the hours of 7:00am and 4:00pm PST.

For other questions regarding your order, to order additional components of the Restoration Hardware Bathware Collection, to order replacement parts, or to address warranty issues, please contact Restoration Hardware Customer Service at 1-877-747-4671.