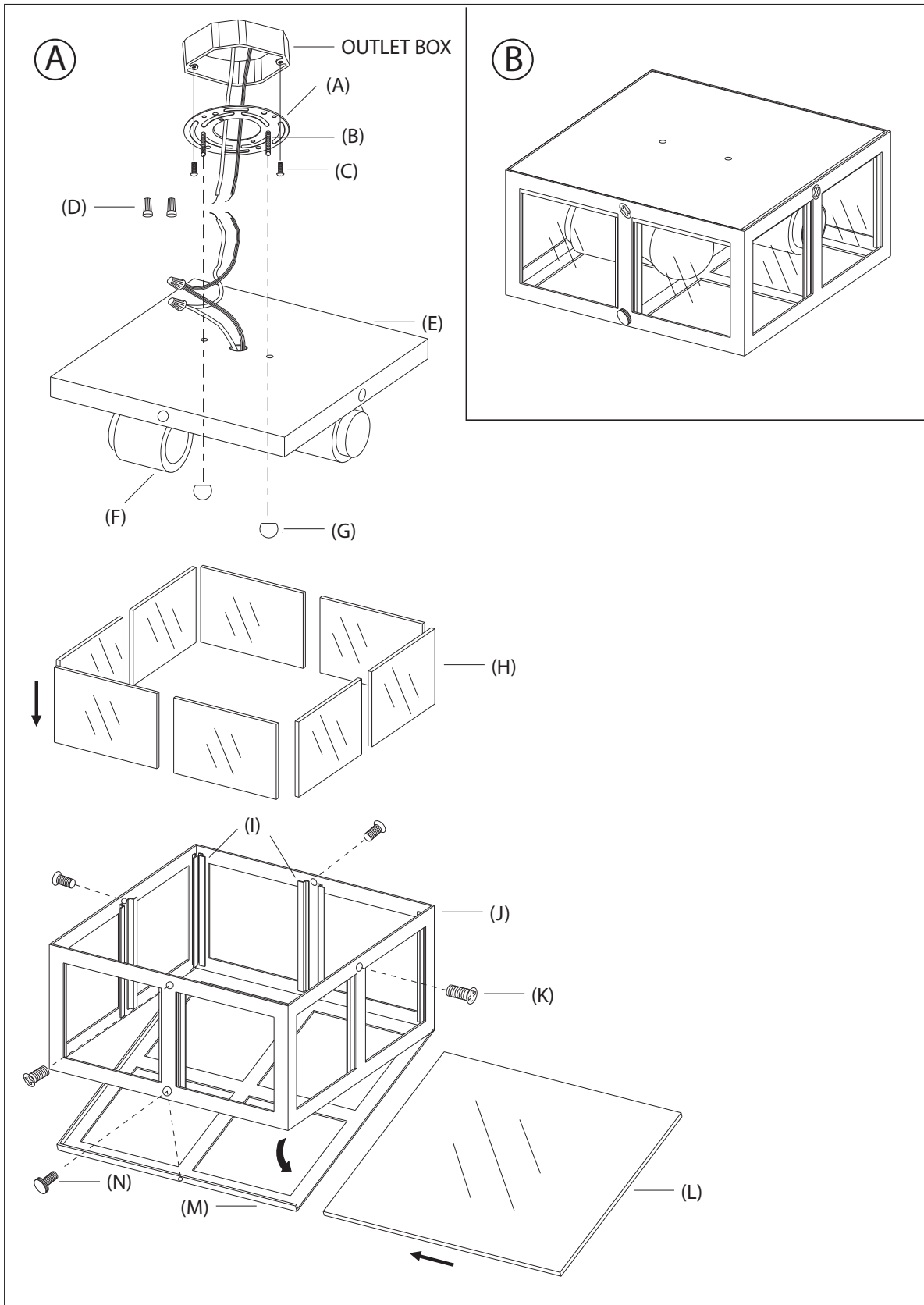


RESTORATION HARDWARE

BENNER FLUSHMOUNT



RESTORATION HARDWARE

Thank you for purchasing Restoration Hardware Lighting. Our assortment is crafted with the highest quality details in mind: cast components, hand applied finish options, and a range of classic and contemporary styles. Each item's surface is sealed which eliminates the need for polishing and ensures the lasting brilliance of your piece for years to come.

PARTS ENCLOSED:

- (A) MOUNTING PLATE
- (B) CANOPY ALIGNMENT SCREWS (X2)
- (C) MOUNTING PLATE SCREWS (X2)
- (D) WIRE NUTS (X2)
- (E) CANOPY
- (F) SOCKET (X2)
- (G) CANOPY NUTS (X2)
- (H) GLASS SIDE PANELS (X8)
- (I) GLASS CHANNELS
- (J) METAL FRAME
- (K) CANOPY SCREWS (X4)
- (L) BOTTOM GLASS
- (M) FRAME DOOR
- (N) FRAME DOOR SCREW

BENNER FLUSHMOUNT

IMPORTANT SAFETY INSTRUCTIONS:

*These instructions are provided for your safety. It is very important that they are read completely before beginning the installation of your fixture.

*DIRECT WIRE FIXTURES: WE STRONGLY RECOMMEND INSTALLATION BY A LICENSED ELECTRICIAN.

WARNINGS:

Turn off power (unplug from the wall outlet) before replacing the bulb(s), making sure the bulb(s) had sufficient time to cool down. DO NOT subject the fixture to any shock while lit as shattering of bulb may result.

DIRECT WIRE ASSEMBLY INSTRUCTIONS

1. SHUT OFF THE MAIN ELECTRICAL SUPPLY FROM THE MAIN FUSE BOX/ CIRCUIT BREAKER.
2. Unthread canopy screws (K) from metal frame (J) and set aside. Remove metal frame (J) from canopy (E), and set aside.
3. Remove mounting plate (A) from canopy (E) by removing canopy nuts (G) from canopy alignment screws (B). Set canopy nuts (G) aside.
4. Guide wiring from outlet box through center hole in mounting plate (A). Affix mounting plate (A) to the outlet box using mounting plate screws (C).
5. Lift canopy (E) to mounting plate (A) and make proper electrical connection.
6. Connect the copper wire from fixture to ground (green) wire from outlet box; Connect white or rough side of wire from fixture to white wire from outlet box, fasten together with plastic wire nuts (D), and tightly wrap with electrical tape. Connect black or smooth side of wire from fixture to black wire from outlet box. fasten together with plastic wire nuts (D), and tightly wrap with electrical tape. Carefully place wires and wire nuts (D) through center hole in mounting plate (A) into outlet box in ceiling.
7. Align holes in canopy (E) with canopy alignment screws (B). Slide canopy (E) over canopy alignment screws (B). Canopy (E) should be flush against ceiling. Thread canopy nuts (G) onto exposed threads of canopy alignment screws (B) to secure canopy (E) to mounting plate (A).
8. Place metal frame (J) on level surface.
9. Carefully slide side glass panels (H) into glass channels (I), making sure numbers on glass side panels (H) go into corresponding channels in metal frame (J). CAUTION: UTILITY GLOVES SHOULD BE WORN WHEN HANDLING GLASS PANELS.
10. Lift metal frame (J) to canopy (E). Align screw holes in top of metal frame (J) with screw holes in canopy (E). Insert canopy screws (K) to secure metal frame (J) to canopy (E).
11. Remove frame door screw (N) from metal frame (J) and set aside. Move frame door (M) to open position.
12. Insert two (2) 60W max type A bulbs into sockets (F).
13. Carefully slide bottom glass (L) into glass channels on frame door (M). CAUTION: UTILITY GLOVES SHOULD BE WORN WHEN HANDLING GLASS PANELS.
14. Move frame door (M) to closed position and re-insert frame door screw (N). Turn until hand tight.
Completed lantern assembly shown in figure B.

CARE INSTRUCTIONS:

To clean, use a soft cloth only. DO NOT use any chemical or abrasive cleaners.