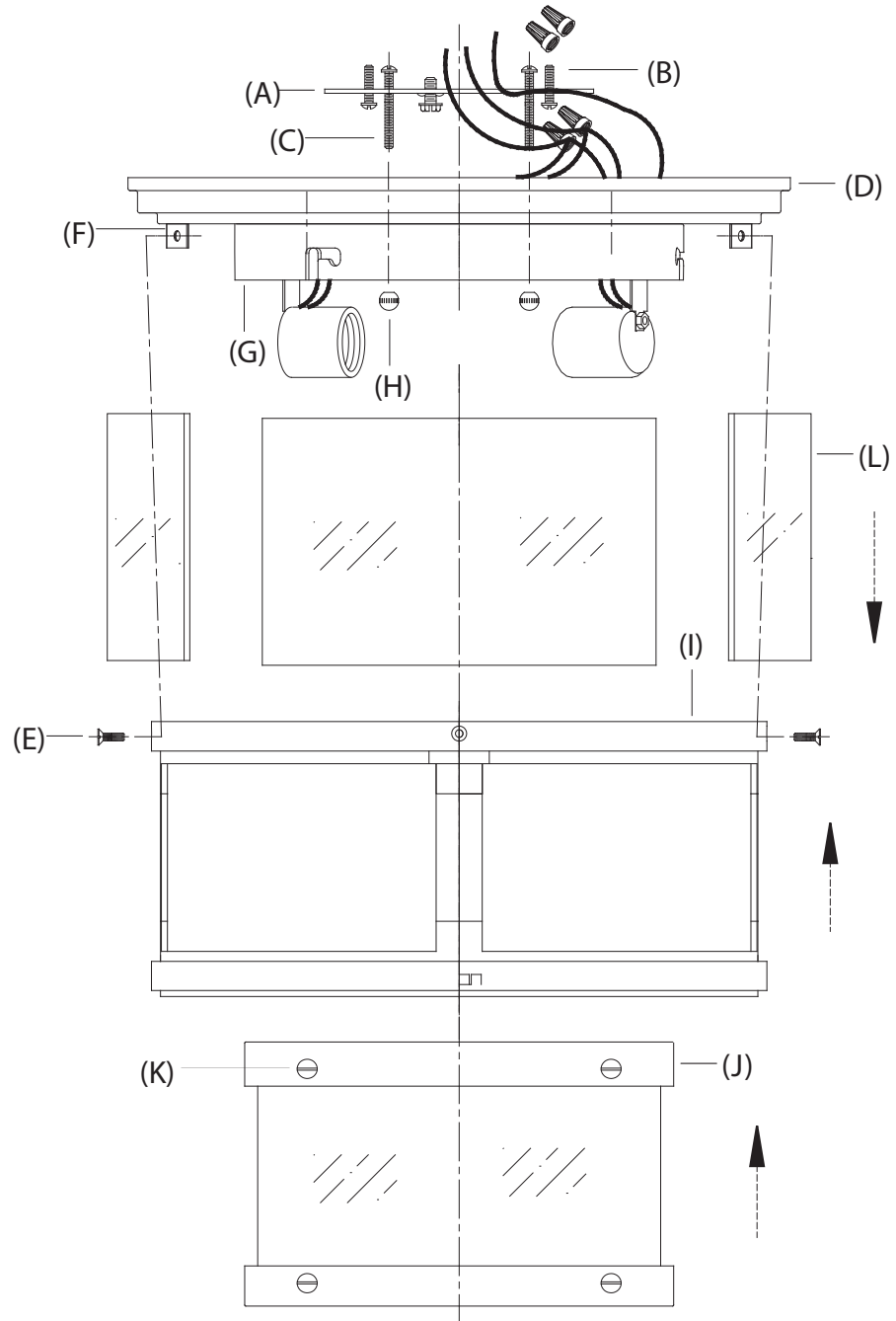


RH

QUENTIN 13" FLUSHMOUNT

PARTS ENCLOSED:

- (A) Mounting Plate (1)
- (B) Mounting Plate Screws (2)
- (C) Canopy Screws (2)
- (D) Canopy (1)
- (E) Outer Frame Screws (4)
- (F) Outer Frame Supports (4)
- (G) Inner Frame Support Ring (1)
- (H) Decorative Nuts (2)
- (I) Outer Shade Frame (1)
- (J) Inner Shade Frame (4)
- (K) Inner Shade Support Screws (4)
- (L) Outer Shade Glass (1)



IMPORTANT PLEASE READ**WE RECOMMEND INSTALLATION BY A LICENSED ELECTRICIAN.****SAFETY INSTRUCTIONS:**

These instructions are provided for your safety. It is very important that they are read completely before beginning the installation of your fixture.


This fixture has been rated for up to two (2) 60-watt maximum Type A medium base bulbs or two (2) 7.5-watt LED medium base bulbs. To avoid risk of fire, do not exceed the recommended wattage.

If any special control devices are used with this fixture, follow the instructions carefully to assure full compliance with N.E.C. requirements. If there are any questions, contact a qualified electrical contractor.

WARNINGS:

All wires are connected. When unpacking, be careful not to pull wires as a bad connection may result. Do not connect electricity until your fixture is fully assembled. To reduce the risk of fire, electrical shock or personal injury, always turn off fixture and allow it to cool prior to replacing the lightbulb. Do not touch bulb when fixture is turned on or look directly at lit bulb. Keep flammable materials away from the lit bulb.

This lighting fixture contains lead, a chemical known to the State of California to cause cancer, birth defects and other reproductive harm. Wash hands after installing, handling, cleaning, or otherwise touching this light fixture.

 **WARNING:** This product can expose you to lead, which is known to the State of California to cause cancer and birth defects or other reproductive harm. For more information, go to www.P65Warnings.ca.gov.

THIS IS NOT A TOY AND THE PRODUCT HAS NO PLAY VALUE.

 **WARNING: STRANGULATION HAZARD**

Keep cord at least 3 ft away from cribs, bassinets, and toddler beds. Keep out of reach of children under 3.

ASSEMBLY & INSTALLATION:

1. SHUT OFF THE MAIN ELECTRICAL SUPPLY FROM THE MAIN FUSE BOX/CIRCUIT BREAKER.
2. Remove all parts from carton. Do not throw away any parts.
3. Remove inner shade frame (J) from inner frame support ring (G) by rotating inner shade frame (J) in counter-clockwise direction. Place inner shade frame (J) on a soft level surface.

4. Remove outer shade frame (I) by removing outer frame screws (E). Place outer shade frame (I) on soft level surface.
5. Remove decorative nuts (H) from canopy screws (C).
6. Affix mounting plate (A) to J BOX using mounting plate screws (B) provided.
7. Lift canopy (D) to J BOX and make proper electrical connection. A LICENSED ELECTRICIAN IS RECOMMENDED.
8. Attach ground fixture wire (GREEN) to the ground wire in the wall outlet box (usually GREEN or COPPER in color). If attaching to ground wire in outlet box, fasten together with a plastic wire connector and tightly wrap with electrical tape. IT IS IMPERATIVE THAT THE OUTLET BOX IN YOUR HOME BE PROPERLY GROUNDED.
9. Connect the neutral (WHITE or RIBBED BLACK) fixture wire to the neutral (usually WHITE) wire from the outlet box. Fasten wires together with a plastic wire connector and tightly wrap connector with electrical tape.
10. Connect the hot (BLACK or SMOOTH BLACK) fixture wire to the hot (BLACK) wire from the outlet box. Fasten wires together with a plastic wire connector and tightly wrap connector with electrical tape.
11. Align holes in canopy (D) with canopy screws (C). Slide canopy (D) up canopy screws (C) and hold canopy tightly against ceiling. Secure canopy (D) to mounting plate (A) using decorative nuts (H) provided.
12. Install two (2) 60-watt maximum Type A medium base bulbs or two (2) 7.5-watt LED medium base bulbs into sockets.
13. Lift inner shade frame (J) to canopy (D). Align inner shade support screws (K) with channels of inner frame support ring (G). Slide inner shade support screws (K) into channels and rotate inner shade frame (K) until a secure position is reached.
14. Gently slide outer shade glass (L) down into slots in outer shade frame (I).
15. Lift outer shade frame (I) to canopy (D). Align holes in outer shade frame (I) with holes of outer frame supports (F). Thread outer frame screws (E) into holes in outer shade frame (I) and outer frame supports (F) to secure frame to fixture.

CARE INSTRUCTIONS:

Wipe clean with a soft, dry cloth or static duster. Always avoid the use of harsh chemicals or abrasive cleaners as they may cause damage to the fixture's finish.