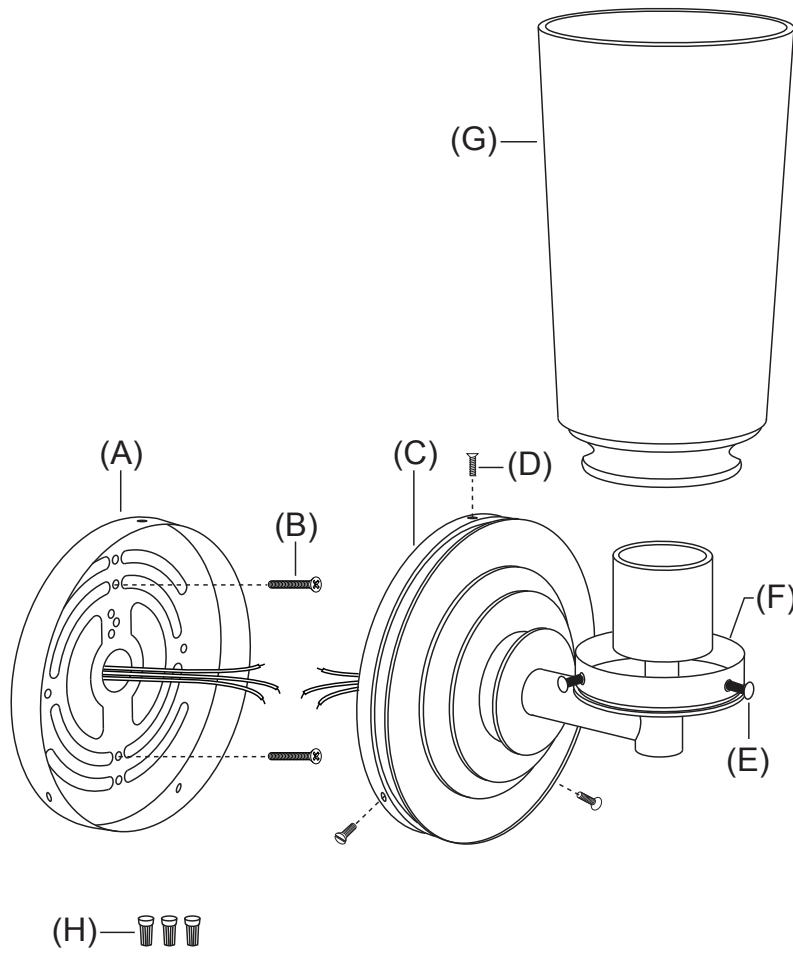


RH

ASBURY SINGLE SCONCE

PARTS ENCLOSED:

- (A) Mounting Plate (1)
- (B) Mounting Screws (2)
- (C) Backplate (1)
- (D) Backplate Screws (3)
- (E) Shade Screws (3)
- (F) Socket Cups (1)
- (G) Glass Shades (1)
- (H) Wire Nuts (3)



IMPORTANT PLEASE READ**WE RECOMMEND INSTALLATION BY A LICENSED ELECTRICIAN.****SAFETY INSTRUCTIONS:**

These instructions are provided for your safety. It is very important that they are read completely before beginning the installation of your fixture.


This fixture has been rated for up to one (1) 60-watt maximum Type A medium base bulb or one (1) 7.5-watt LED medium base bulb. To avoid risk of fire, do not exceed the recommended wattage.

If any special control devices are used with this fixture, follow the instructions carefully to assure full compliance with N.E.C. requirements. If there are any questions, contact a qualified electrical contractor.


WARNINGS:

All wires are connected. When unpacking, be careful not to pull wires as a bad connection may result. Do not connect electricity until your fixture is fully assembled. To reduce the risk of fire, electrical shock or personal injury, always turn off fixture and allow it to cool prior to replacing the lightbulb. Do not touch bulb when fixture is turned on or look directly at lit bulb. Keep flammable materials away from the lit bulb.

This lighting fixture contains lead, a chemical known to the State of California to cause cancer, birth defects and other reproductive harm. Wash hands after installing, handling, cleaning, or otherwise touching this light fixture.

 **WARNING:** This product can expose you to lead, which is known to the State of California to cause cancer and birth defects or other reproductive harm. For more information, go to www.P65Warnings.ca.gov.

THIS IS NOT A TOY AND THE PRODUCT HAS NO PLAY VALUE.

 **WARNING: STRANGULATION HAZARD**
Keep cord at least 3 ft away from cribs, bassinets, and toddler beds. Keep out of reach of children under 3.

ASSEMBLY & INSTALLATION:

1. SHUT OFF THE ELECTRICAL SUPPLY AT THE MAIN FUSE BOX/ CIRCUIT BREAKER.
2. Remove mounting plate (A) from backplate (C) by removing backplate screws (D). Set screws (D) aside.
3. Carefully pull the wiring from the wall outlet box and allow the wires to hang outside the box. Thread the wires through the center hole in the mounting plate (A).
4. Affix mounting plate (A) to the wall outlet box with mounting screws (B). Make sure mounting plate (A) is in a level position before proceeding to the next step.
5. Lift fixture to mounting plate and make proper electrical connections, as described in steps 6 - 8.
A LICENSED ELECTRICIAN IS RECOMMENDED.
6. Connect ground (green or silver in color) wire from fixture to ground wire in the outlet box. Fasten wires together with wire nut (H) and tightly wrap the connection with electrical tape.
7. Attach hot wire from fixture (black in color or smooth side of wire) to hot wire from outlet box. Fasten wires together with wire nut (H) and tightly wrap connection with electrical tape.
8. Attach neutral wire from fixture (white in color or ribbed side of wire) to neutral wire from outlet box. Fasten wires together with wire nut (H) and tightly wrap connection with electrical tape.
9. Carefully push wire connections back into wall outlet box. Slide backplate (C) over mounting plate (A).
10. Thread backplate screws (D) into vacant holes on the sides of backplate (C) to secure the fixture to the mounting surface.
11. To install shades, loosen shade screws (E) but do not remove them completely from socket cup (F). Insert the neck of glass shade (G) into socket cup (F) and tighten shade screws (E) to hold the shade in place. NOTE: Do not overtighten screws (E) as doing so could break the glass shades.
12. Insert one (1) 60-watt maximum Type A medium base bulb or one (1) 7.5-watt LED medium base bulb into the socket.
13. Reconnect main the electrical supply at the fuse box/circuit breaker and test the fixture.

CARE INSTRUCTIONS:

Wipe clean with a soft, dry cloth or static duster. Always avoid the use of harsh chemicals or abrasive cleaners as they may cause damage to the fixture's finish.