

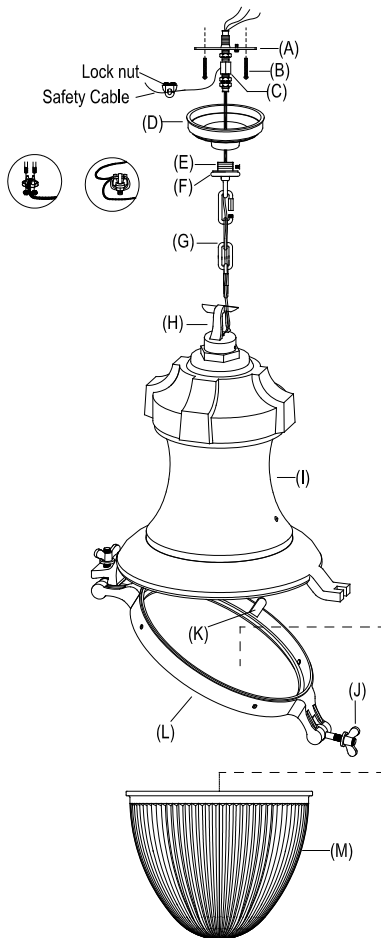
RESTORATION HARDWARE

Thank you for purchasing Restoration Hardware Lighting. Our assortment is crafted with the highest quality details in mind and each collection is clad in one of our signature finish options. Each item's surface is sealed which eliminates the need for polishing and ensures the lasting brilliance of your piece for years to come.

PARTS ENCLOSED

- | | |
|-----------------------------|-----------------------|
| (A) Mounting Strap (1) | (H) Mounting Loop (1) |
| (B) Mounting Screw (2) | (I) Fixture Base (1) |
| (C) Nipple (1) | (J) Thumbscrew (2) |
| (D) Canopy (1) | (K) Metal Tab (4) |
| (E) Chain Mounting Loop (1) | (L) Ring (1) |
| (F) Canopy Ring (1) | (M) Glass Shade (1) |
| (G) Chain (1) | |

14" VINTAGE STREETLIGHT PRISM PENDANT



IMPORTANT SAFETY INSTRUCTIONS:

WE RECOMMEND INSTALLATION BY A LICENSED ELECTRICIAN.

This fixture has been rated for up to (1) 100-watt maximum Type A bulb. To avoid the risk of fire, do not exceed the recommended wattage.

WARNINGS:

1. For a safe and secure installation, please ensure that the electrical box to which this fixture will be mounted is properly attached to a structural member of the building.
2. All wires are connected. When unpacking, be careful not to pull with wires as a bad connection may result.
3. Do not connect electricity until your fixture is fully assembled.
4. To reduce the risk of fire, electrical shock, or personal injury, always turn off and unplug fixture and allow it to cool prior to replacing light bulb.
5. Do not touch bulb when fixture is turned on or look directly at lit bulb. Keep flammable materials away from lit bulb.
6. This lighting fixture contains lead, a chemical known to the State of California to cause cancer, birth defects and other reproductive harm. Wash hands after installing, handling, cleaning or otherwise touching this light fixture.

TO ASSEMBLE:

1. Carefully remove all parts from the box and remove all plastic covering.
2. Loosen one thumbscrew (J), open ring (L) from the fixture base (I).
3. Make sure metal tabs (K) are flipped up, carefully insert glass shade (M) into ring (L), secure the glass shade by bending back the metal tabs (K) downwards.
4. Insert the recommended bulb into the socket.
5. Replace ring (L) with glass shade to fixture base (I) by tighten thumbscrew (J)
6. Attach chain (G) to top link on chandelier assembly (H) by opening/closing the end link of chain.
7. Feed wire through chain (G) and mounting loop (E).
8. Unscrew canopy ring (F), slip canopy ring (F) and canopy (D) on chain.
9. Attach mounting strap (A) to mounting outlet box with mounting screws (B) and insert top thread nipple (C) in mounting strap (A).
10. Attach mounting loop (E) to thread nipple (C) and tighten the set screw.
11. Wrap both fixture safety cable and ceiling safety cable to lock nut and secure with nuts as shown.
12. Attach the fixture ground wire and house ground wire (usually green or bare wire) to ceiling outlet box with the green grounding screw. Connect fixtures to corresponding house wire with a wire nut. Carefully tuck the wires back into the outlet box. IT IS IMPERATIVE THAT THE OUTLET BOX IN YOUR HOME BE PROPERLY GROUNDED.
13. Connect the hot wire (smooth wire) to the hot outlet box wire (usually black) with a plastic wire connector and wrap the connection with electrical tape. DO NOT REVERSE THE HOT AND NEUTRAL CONNECTIONS OTHERWISE SAFETY WILL BE COMPROMISED
14. Connect the neutral wire (ridges molded wire) to the neutral outlet wire (usually white) with a plastic wire connector and wrap the connection with electrical tape.
15. Tuck these wire connections neatly into the ceiling outlet box.
16. Raise the canopy (D) to the ceiling and screw canopy ring (F) onto the mounting loop (E) to secure.
17. Restore power to the junction box and test the pendant fixture.
18. Assembly is complete.

CARE INSTRUCTIONS:

Avoid the use of all polishers, cleaners, and abrasives, as they will damage the finish of your lamp. To remove dust or fingerprints, wipe gently with a soft, clean cloth.