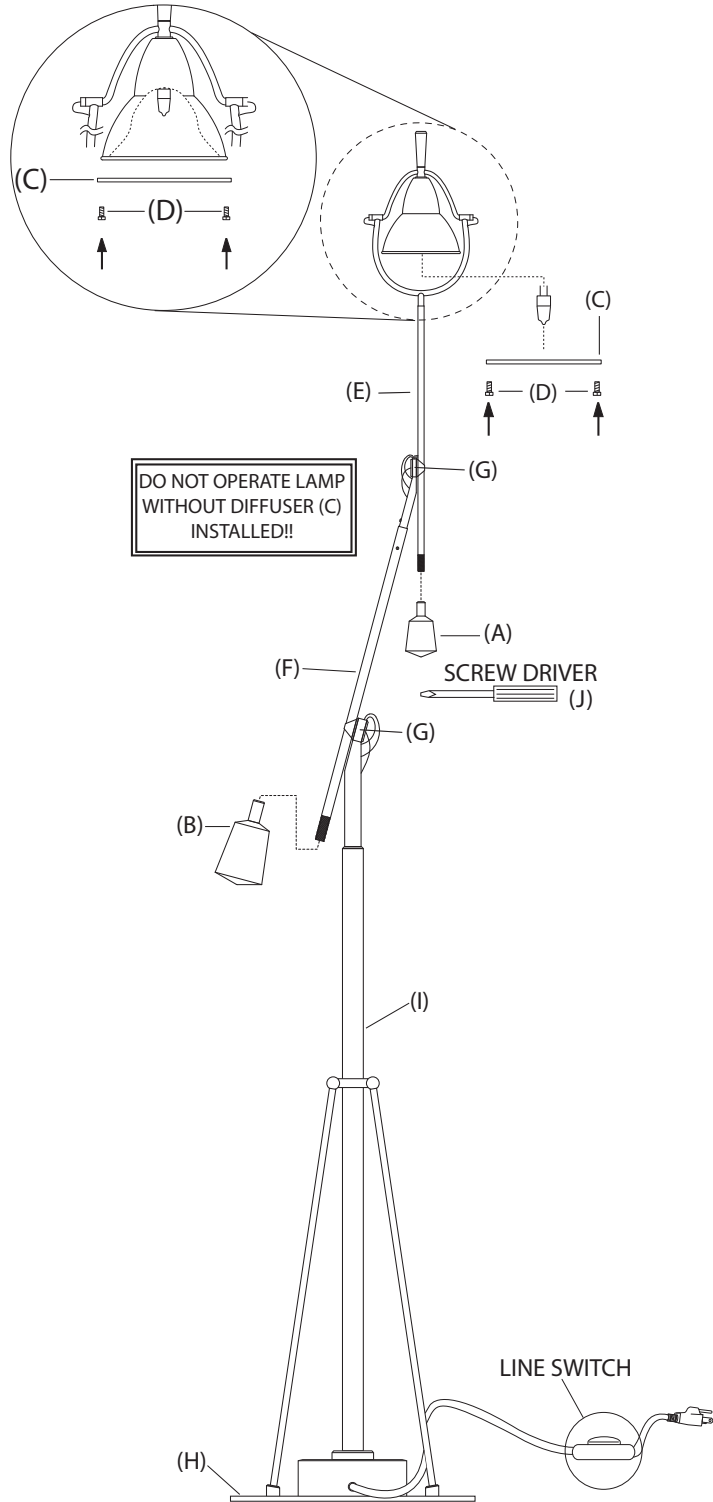


RH

COUNTERPOISE TASK FLOOR LAMP

PARTS ENCLOSED:

- (A) Small Counter Weight (1)
- (B) Large Counter Weight (1)
- (C) Glass Diffuser (1)
- (D) Diffuser Screws (2)
- (E) Swing Arm (1)
- (F) Swing Arm (1)
- (G) Swivel (2)
- (H) Base (1)
- (I) Column (1)
- (J) Screw Driver (1)



COUNTERPOISE TASK FLOOR LAMP

IMPORTANT PLEASE READ**WE RECOMMEND INSTALLATION BY A LICENSED ELECTRICIAN.****SAFETY INSTRUCTIONS:**

These instructions are provided for your safety. It is very important that they are read completely before beginning the installation of your fixture.

This lamp is equipped with a polarized plug (one blade is wider than the other). If the plug does not fit securely into the outlet, do not force it - contact a professional electrician. Use the plug with an extension cord only if it can be fully inserted into the cord's socket. Never alter the plug in any way.

This fixture has been rated for up to one (1) 35-watt maximum GY 6.35 Bi-Pin bulb. To avoid risk of fire, do not exceed the recommended wattage.


WARNINGS:

All wires are connected. When unpacking, be careful not to pull wires as a bad connection may result. Do not connect electricity until your fixture is fully assembled. To reduce the risk of fire, electrical shock or personal injury, always turn off fixture and allow it to cool prior to replacing the lightbulb. Do not touch bulb when fixture is turned on or look directly at lit bulb. Keep flammable materials away from the lit bulb.


Turn off power (unplug from the wall outlet) before replacing the bulb, making sure the bulb had sufficient time to cool down.

DO NOT subject the lamp to any shock while lit as shattering of bulb may result.

This lighting fixture contains lead, a chemical known to the State of California to cause cancer, birth defects and other reproductive harm. Wash hands after installing, handling, cleaning, or otherwise touching this light fixture.

 **WARNING:** This product can expose you to lead, which is known to the State of California to cause cancer and birth defects or other reproductive harm. For more information, go to www.P65Warnings.ca.gov.

THIS IS NOT A TOY AND THE PRODUCT HAS NO PLAY VALUE.

 **WARNING: STRANGULATION HAZARD**
Keep cord at least 3 ft away from cribs, bassinets, and toddler beds. Keep out of reach of children under 3.

ASSEMBLY:

1. REMOVE ALL PARTS CAREFULLY FROM THE CARTON.
2. Place base (H) on level surface.
3. Thread large counter weight (B) onto threaded nipple of swing arm (F).
4. Thread small counter weight (A) onto threaded nipple of swing arm (E).

BALANCE ADJUSTMENT:

5. Note: If swing arms (E and F) are not balanced correctly, adjust counter weights (A and B) by slowly unthreading the counter weight until the arm is balanced. When balanced correctly, the lamp will rest at any position.
6. If the lamp will not balance by adjusting counter weights (A and B), follow step 7 to fine tune the lamp. If the lamp is balanced, skip to step 8.
7. The lamp has been fine tuned at the factory, but a slight adjustment on the amount of resistance at swivels (G) may be needed. To adjust the resistance of the swivel, tighten/loosen screws (use screw driver (K) provided) in minor increments. **WARNING:** Overtightening OR loosening the screws can inhibit the rotation and compromise the performance of the lamp. Do not make adjustments to the swivels (G) unless it is absolutely necessary.

ASSEMBLY CONTINUED:

8. Plug lamp into wall outlet.
9. When changing the location of the lamp, turn the lamp off at the switch and remove plug from the wall outlet. Give the bulb time to cool off before moving. Hold the lamp at column (I) with both hands and lift the lamp 1-2 inches off the ground. Move the lamp to desired location and gently rest on a level surface.

BULB REPLACEMENT:

1. Make sure adequate time has been given for bulb to cool off after turning lamp off at switch.
2. Unplug lamp from wall outlet and remove diffuser (C) from shade by removing diffuser screws (D) with screw driver (J) provided.
3. Remove old bulb by carefully pulling from the base and set aside.
4. Wrap new bulb with soft cloth when installing to refrain from touching bulb as fingerprints will reduce the performance of the bulb.
5. To reattach diffuser (C), align holes in diffuser (C) and holes in light housing. Then insert diffuser screws (D).

**This lamp is designed for indoor use only. Very high humidity or extremely high/low temperatures will deteriorate the ballast.

CARE INSTRUCTIONS:

Wipe clean with a soft, dry cloth or static duster. Always avoid the use of harsh chemicals or abrasive cleaners as they may cause damage to the fixture's finish.