

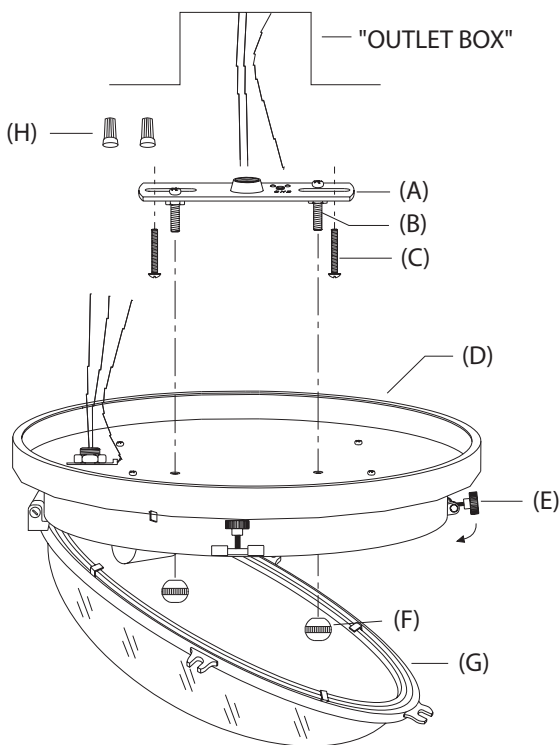
RESTORATION HARDWARE

Thank you for purchasing Restoration Hardware Lighting. Our assortment is crafted with the highest quality details in mind and each collection is clad in one of our signature finish options. Each item's surface is sealed which eliminates the need for polishing and ensures the lasting brilliance of your piece for years to come.

PARTS ENCLOSED:

- (A) CROSS BAR
- (B) CROSS BAR SCREWS (X2)
- (C) MOUNTING SCREWS (X2)
- (D) CANOPY
- (E) THUMBSCREW (X3)
- (F) DECORATIVE NUTS (X2)
- (G) GLASS SHADE
- (H) WIRE NUTS (X2)

HARMON 9" FLUSHMOUNT



IMPORTANT SAFETY INSTRUCTIONS:

*These instructions are provided for your safety. It is very important that they are read completely before beginning the installation of your fixture.

*DIRECT WIRE FIXTURES: WE STRONGLY RECOMMEND INSTALLATION BY A LICENSED ELECTRICIAN.

This fixture has been rated for up to (1) 60W MAX. E12 Candelabra base bulb. To avoid risk of fire, do not exceed the recommended wattage.

WARNINGS:

Turn off power (unplug from the wall outlet) before replacing the bulb(s), making sure the bulb(s) had sufficient time to cool down.

DO NOT subject the lamp to any shock while lit as shattering of bulb may result.

TO ASSEMBLE:

1. SHUT OFF THE MAIN ELECTRICAL SUPPLY FROM THE MAIN FUSE BOX/ CIRCUIT BREAKER.
2. Open glass shade (G) by unthreading thumbscrews (E), and rotating into open position. Do not completely unthread thumb screw from threaded nipple.
3. Remove cross bar (A) from canopy (D) by removing decorative nuts (F) from cross bar screws (B). Set decorative nuts (F) aside.
4. Affix cross bar (A) to ceiling outlet box with mounting screws (C). Gently pull wires from ceiling outlet box.
5. Lift canopy (D) to ceiling outlet box; make proper electrical connection.
6. Attach ground wire from fixture (green or copper in color) to ground wire from ceiling outlet box.
7. Attach hot wire from fixture (black in color) to hot wire from ceiling outlet box. Fasten wires together with wire nut (H) and tightly wrap connection with electrical tape.
8. Attach neutral wire from fixture (white in color) to neutral wire from ceiling outlet box. Fasten wires together with wire nut (H) and tightly wrap connection with electrical tape.
9. Gently push wires back into ceiling outlet box.
10. Align crossbar screws (A) with holes in top of canopy (D). Place canopy (D) flush against ceiling, allowing crossbar screws (B) to pass through holes in canopy (D). To secure fixture to ceiling, thread decorative nuts (F) onto exposed threads of crossbar screws (B).
11. Install one (1) 60W max. B9 candelabra base bulb into socket.
12. Move glass shade (G) into closed position and secure with thumbscrews (E).

CARE INSTRUCTIONS:

To clean, use a soft cloth only. DO NOT use any chemical or abrasive cleaners.

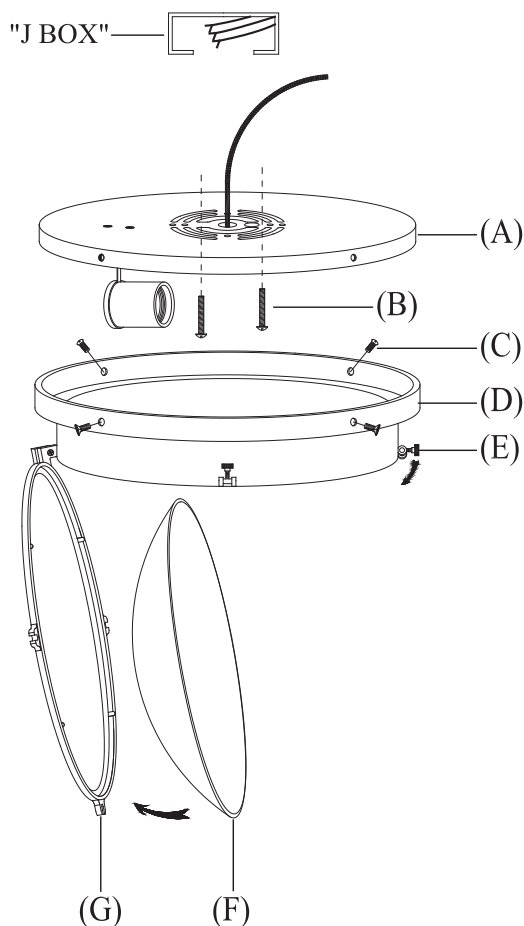
RESTORATION HARDWARE

Thank you for purchasing Restoration Hardware Lighting. Our assortment is crafted with the highest quality details in mind and each collection is clad in one of our signature finish options. Each item's surface is sealed which eliminates the need for polishing and ensures the lasting brilliance of your piece for years to come.

PARTS ENCLOSED:

- (A) MOUNTING PLATE
- (B) MOUNTING PLATE SCREWS
- (C) CANOPY SCREWS
- (D) CANOPY
- (E) SUPPORTS
- (F) GLASS SHADE
- (G) SHADE FRAME

HARMON 13" FLUSH MOUNT



IMPORTANT SAFETY INSTRUCTIONS:

*These instructions are provided for your safety. It is very important that they are read completely before beginning the installation of your fixture.

*DIRECT WIRE FIXTURES: WE STRONGLY RECOMMEND INSTALLATION BY A LICENSED ELECTRICIAN.

This fixture has been rated for up to (1) 60W MAX. Type A bulb.

To avoid risk of fire, do not exceed the recommended wattage.

WARNINGS:

Turn off power (unplug from the wall outlet) before replacing the bulb(s), making sure the bulb(s) had sufficient time to cool down.

DO NOT subject the lamp to any shock while lit as shattering of bulb may result.

TO ASSEMBLE:

1. SHUT OFF THE MAIN ELECTRICAL SUPPLY FROM THE MAIN FUSE BOX/ CIRCUIT BREAKER.
2. Remove all parts from carton. Do not throw away any parts.
3. Remove canopy screws (C) from canopy (D).
4. Remove mounting plate (A) from canopy (D). Pull wiring from "J BOX" and guide through center hole in mounting plate (A). Affix mounting plate (A) to "J BOX" using mounting plate screws (B) provided.
5. Make proper electrical connection. A LICENSED ELECTRICIAN IS RECOMMENDED.
6. Attach ground fixture wire (GREEN) to either the ground screw on mounting plate (A) or to the ground wire in the wall outlet box (usually GREEN or COPPER in color). If attaching to ground wire in outlet box, fasten together with a plastic wire connector and tightly wrap with electrical tape. IT IS IMPERATIVE THAT THE OUTLET BOX IN YOUR HOME BE PROPERLY GROUNDED.
7. Connect the neutral (WHITE or RIBBED BLACK) fixture wire to the neutral (usually WHITE) wire from the outlet box. Fasten wires together with a plastic wire connector and tightly wrap connector with electrical tape.
8. Connect the hot (BLACK or SMOOTH BLACK) fixture wire to the hot (BLACK) wire from the outlet box. Fasten wires together with a plastic wire connector and tightly wrap connector with electrical tape.
9. Install one (1) Type A, 60 watt maximum bulb into socket.
10. Open shade frame (G) by unthreading decorative nut on support (E) until support (E) can be rotated away from shade frame (G). Do not remove decorative nut from support (E).
11. Holding shade frame (G), place glass shade (F) through center hole in shade frame (G) until glass shade (F) rest on shade frame (G). Holding glass shade (F) securely, rotate shade frame (G) toward canopy (D). Hold shade frame (G) against canopy (D). Rotate supports (E) down and thread decorative nut up support (E) until decorative nut rest against shade frame (G).

CARE INSTRUCTIONS:

To clean, use a soft cloth only. DO NOT use any chemical or abrasive cleaners.

RESTORATION HARDWARE

Thank you for purchasing Restoration Hardware Lighting. Our assortment is crafted with the highest quality details in mind and each collection is clad in one of our signature finish options. Each item's surface is sealed which eliminates the need for polishing and ensures the lasting brilliance of your piece for years to come.

PARTS ENCLOSED:

- (A) MOUNTING PLATE
- (B) MOUNTING PLATE SCREWS
- (C) CANOPY SCREWS
- (D) CANOPY
- (E) SUPPORTS
- (F) GLASS SHADE
- (G) SHADE FRAME

IMPORTANT SAFETY INSTRUCTIONS:

*These instructions are provided for your safety. It is very important that they are read completely before beginning the installation of your fixture.

*DIRECT WIRE FIXTURES: WE STRONGLY RECOMMEND INSTALLATION BY A LICENSED ELECTRICIAN.

This fixture has been rated for up to (2) 60W MAX. Type A bulbs.

To avoid risk of fire, do not exceed the recommended wattage.

WARNINGS:

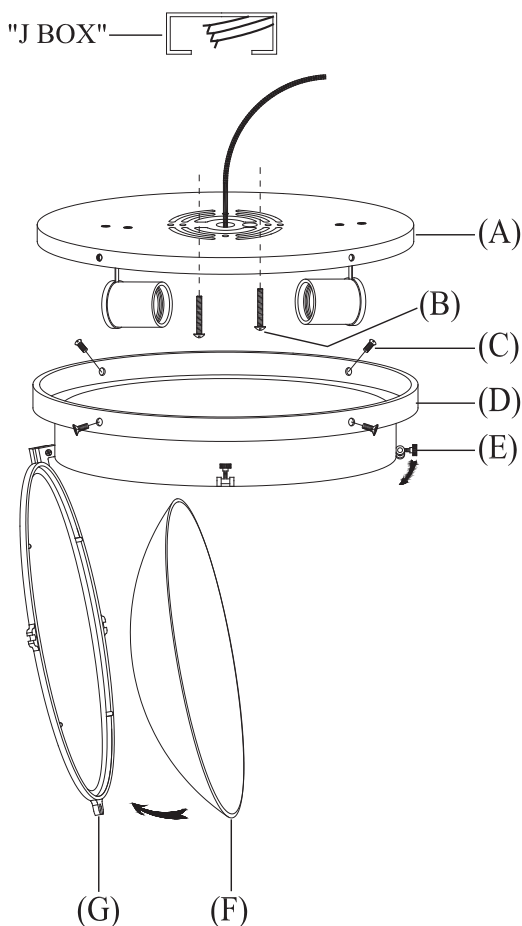
Turn off power (unplug from the wall outlet) before replacing the bulb(s), making sure the bulb(s) had sufficient time to cool down.

DO NOT subject the lamp to any shock while lit as shattering of bulb may result.

TO ASSEMBLE:

1. SHUT OFF THE MAIN ELECTRICAL SUPPLY FROM THE MAIN FUSE BOX/ CIRCUIT BREAKER.
2. Remove all parts from carton. Do not throw away any parts.
3. Remove canopy screws (C) from canopy (D).
4. Remove mounting plate (A) from canopy (D). Pull wiring from "J BOX" and guide through center hole in mounting plate (A). Affix mounting plate (A) to "J BOX" using mounting plate screws (B) provided.
5. Make proper electrical connection. A LICENSED ELECTRICIAN IS RECOMMENDED.
6. Attach ground fixture wire (GREEN) to either the ground screw on mounting plate (A) or to the ground wire in the wall outlet box (usually GREEN or COPPER in color). If attaching to ground wire in outlet box, fasten together with a plastic wire connector and tightly wrap with electrical tape. IT IS IMPERATIVE THAT THE OUTLET BOX IN YOUR HOME BE PROPERLY GROUNDED.
7. Connect the neutral (WHITE or RIBBED BLACK) fixture wire to the neutral (usually WHITE) wire from the outlet box. Fasten wires together with a plastic wire connector and tightly wrap connector with electrical tape.
8. Connect the hot (BLACK or SMOOTH BLACK) fixture wire to the hot (BLACK) wire from the outlet box. Fasten wires together with a plastic wire connector and tightly wrap connector with electrical tape.
9. Install two (2) Type A, 60 watt maximum bulbs into sockets.
10. Open shade frame (G) by unthreading decorative nut on support (E) until support (E) can be rotated away from shade frame (G). Do not remove decorative nut from support (E).
11. Holding shade frame (G), place glass shade (F) through center hole in shade frame (G) until glass shade (F) rest on shade frame (G). Holding glass shade (F) securely, rotate shade frame (G) toward canopy (D). Hold shade frame (G) against canopy (D). Rotate supports (E) down and thread decorative nut up support (E) until decorative nut rest against shade frame (G).

HARMON 17" FLUSH MOUNT



CARE INSTRUCTIONS:

To clean, use a soft cloth only. DO NOT use any chemical or abrasive cleaners.