

RESTORATION HARDWARE

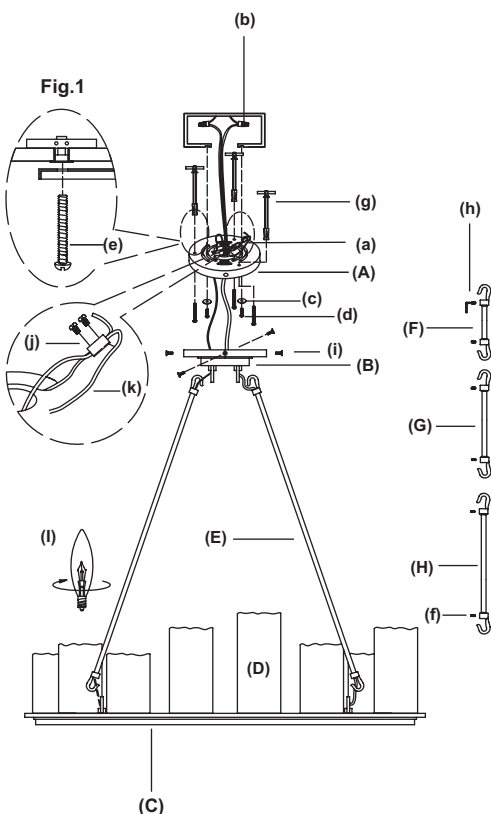
Thank you for purchasing Restoration Hardware Lighting. Our assortment is crafted with the highest quality details in mind and each collection is clad in one of our signature finish options. Each item's surface is sealed which eliminates the need for polishing and ensures the lasting brilliance of your piece for years to come.

PARTS ENCLOSED: HARDWARE INCLUDED:

(A) Mounting plate (1)	(a) Green ground screw (1)
(B) Back plate (1)	(b) Plastic wire connector (2)
(C) Base (1)	(c) Washer (2)
(D) Shade (16)	(d) Mounting screw (2)
(E) 36"Pipe (4)	(e) Strengthened screw (3)
(F) 9" Pipe (4)	(f) Pipe screw (24)
(G) 16" Pipe (4)	(g) anchor (3)
(H) 27"Pipe (4)	(h) Tool (2)
(I) Bulbs (16)	(i) Plate screw (2)
	(j) lock (1)
	(k) steel string (1)

PILLAR CANDLE ROUND CHANDELIER

Direct Wire Installation



IMPORTANT SAFETY INSTRUCTIONS:

WE RECOMMEND INSTALLATION BY A LICENSED ELECTRICIAN.

This fixture has been rated for up to (16) 15-watt maximum TYPE B candelabra bulbs. To avoid the risk of fire, do not exceed the recommended wattage.

WARNINGS:

All wires are connected. When unpacking, be careful not to pull wires as a bad connection may result. Do not connect electricity until your lamp is fully assembled.

To reduce the risk of fire, electrical shock, or personal injury, always turn off lamp and allow it to cool prior to replacing light bulb.

Do not touch bulb when fixture is turned on or look directly at lit bulb. Keep flammable materials away from lit bulb.

MAXIMUM 15 WATT BULB TO BE USED WITH THIS PRODUCT. THE USE OF HIGHER WATTAGE COULD RESULT IN FIRE HAZARD.

TO ASSEMBLE:

- Carefully remove all parts from the box and remove all plastic covering.
- Turn OFF power to the junction box where the lamp will be installed.
- Locate the 9" pipes(F), 16" pipes(G), 27"pipes(H) and 36"Pipe(E); check the actual suspension length conditions to the incremental fixture suspension length per number of extensions desired.
- Attach the ground wire from the fixture to the ground junction box wire from the outlet box (Usually green or bare wire) with a plastic wire connector (b) and wrap the connection with electrical tape. Screw the green ground screw (a) into the mounting plate (A), and wrap the fixture's bare ground wire around the ground screw.
- Connect the hot wire to the hot junction box wire (usually black or smooth) with a plastic wire connector(b) and wrap the connection with electrical tape. Connect the neutral wire to the neutral junction box wire (usually white or ribbed) with a plastic wire connector(b) and wrap the connection with electrical tape.
- Attach steel string (k) to go through the suspended pipes, loop and mounting plate, connect steel string with the lock (j) on the mounting plate(A) and tighten it with a screwdriver. if you have fixed fixture on ceiling to fix the steel string, you can connect the steel string to the fixed fixture with the lock according to your need.
- Attach the mounting plate(A) to the outlet box using the washer(c) and mounting screws(d). Tighten with a screwdriver.
Fig.1: You would use anchor(g) fixed in the ceiling at first. And then, screw the strengthened screws(e) into the anchor of the ceiling. (attached the assembly instruction of anchor and strengthened screw for you.)
- If need, disassemble the existing pipes by unscrewing the pipe screw(f) with the tool(h). Pull the wire back through the appropriate suspended pipe that will be need to be extended.
- Attach the back plate(B) to the mounting plate(A) using the plate screw(i) to fix it.
- Connect Back plate(B) with desired pipes which use pipes to hook the back plate's loops, and connect base(C) with pipes in the same way.
- Place 16 candle shades (D)(included) onto the sockets. The highest sockets match with the largest shades, middle sockets with middle shades, small and the smallest sockets with small and the smallest shades.
- Insert sixteen 15 watt Type B bulbs (included) into threaded sockets.
- Restore power to the junction box and test lamp fixture.
- Installation is complete.

CARE INSTRUCTIONS:

Do not use polishes or cleaners on your lamp.
JUST WIPE CLEAN WITH SOFT CLOTH.