

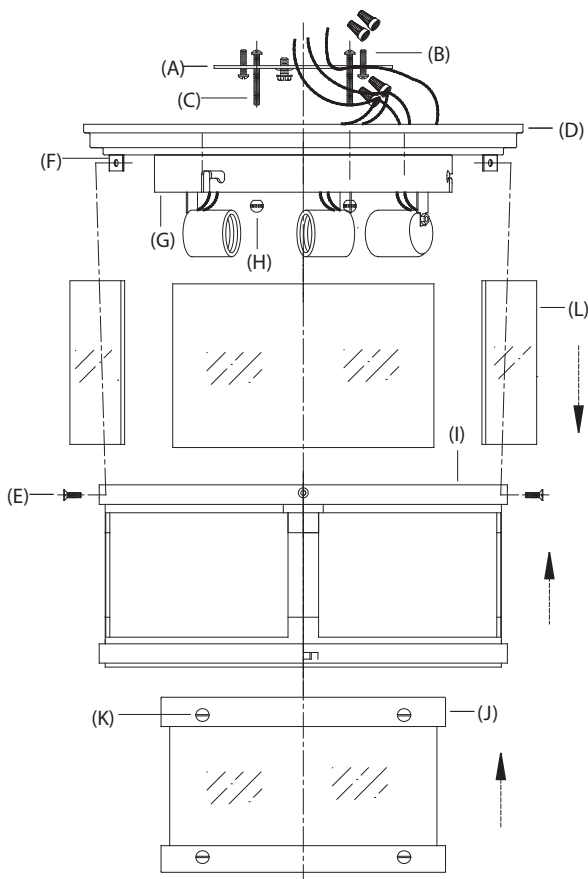
RESTORATION HARDWARE

Thank you for purchasing Restoration Hardware Lighting. Our assortment is crafted with the highest quality details in mind and each collection is clad in one of our signature finish options. Each item's surface is sealed which eliminates the need for polishing and ensures the lasting brilliance of your piece for years to come.

PARTS ENCLOSED:

- (A) MOUNTING PLATE
- (B) MOUNTING PLATE SCREWS (X2)
- (C) CANOPY SCREWS (X2)
- (D) CANOPY
- (E) OUTER FRAME SCREWS (X4)
- (F) OUTER FRAME SUPPORT (X4)
- (G) INNER FRAME SUPPORT RING
- (H) DECORATIVE NUTS (X2)
- (I) OUTER SHADE FRAME
- (J) INNER SHADE FRAME
- (K) INNER SHADE SUPPORT SCREWS
- (L) OUTER SHADE GLASS

QUENTIN 17" FLUSH MOUNT



IMPORTANT SAFETY INSTRUCTIONS:

*These instructions are provided for your safety. It is very important that they are read completely before beginning the installation of your fixture.

*DIRECT WIRE FIXTURES: WE STRONGLY RECOMMEND INSTALLATION BY A LICENSED ELECTRICIAN.

This fixture has been rated for up to (3) 40W MAX. Type A bulbs.

To avoid risk of fire, do not exceed the recommended wattage.

WARNINGS:

Turn off power (unplug from the wall outlet) before replacing the bulb(s), making sure the bulb(s) had sufficient time to cool down.

DO NOT subject the lamp to any shock while lit as shattering of bulb may result.

TO ASSEMBLE:

1. SHUT OFF THE MAIN ELECTRICAL SUPPLY FROM THE MAIN FUSE BOX/ CIRCUIT BREAKER.
2. Remove all parts from carton. Do not throw away any parts.
3. Remove inner shade frame (J) from inner frame support ring (G) by rotating inner shade frame (J) in counter-clockwise direction. Place inner shade frame (J) on a soft level surface.
4. Remove outer shade frame (I) by removing outer frame screws (E). Place outer shade frame (I) on soft level surface.
5. Remove decorative nuts (H) from canopy screws (C).
6. Affix mounting plate (A) to J BOX using mounting plate screws (B) provided.
7. Lift canopy (D) to J BOX and make proper electrical connection. A LICENSED ELECTRICIAN IS RECOMMENDED.
8. Attach ground fixture wire (GREEN) to the ground wire in the wall outlet box (usually GREEN or COPPER in color). If attaching to ground wire in outlet box, fasten together with a plastic wire connector and tightly wrap with electrical tape. IT IS IMPERATIVE THAT THE OUTLET BOX IN YOUR HOME BE PROPERLY GROUNDED.
9. Connect the neutral (WHITE or RIBBED BLACK) fixture wire to the neutral (usually WHITE) wire from the outlet box. Fasten wires together with a plastic wire connector and tightly wrap connector with electrical tape.
10. Connect the hot (BLACK or SMOOTH BLACK) fixture wire to the hot (BLACK) wire from the outlet box. Fasten wires together with a plastic wire connector and tightly wrap connector with electrical tape.
11. Align holes in canopy (D) with canopy screws (C). Slide canopy (D) up canopy screws (C) and hold canopy tightly against ceiling. Secure canopy (D) to mounting plate (A) using decorative nuts (H) provided.
12. Install three (3) Type A, 40 watt maximum bulbs into sockets.
13. Lift inner shade frame (J) to canopy (D). Align inner shade support screws (K) with channels of inner frame support ring (G). Slide inner shade support screws (K) into channels and rotate inner shade frame (K) until a secure position is reached.
14. Gently slide outer shade glass (L) down into slots in outer shade frame (I).
14. Lift outer shade frame (I) to canopy (D). Align holes in outer shade frame (I) with holes of outer frame supports (F). Thread outer frame screws (E) into holes in outer shade frame (I) and outer frame supports (F) to secure frame to fixture.

CARE INSTRUCTIONS:

To clean, use a soft cloth only. DO NOT use any chemical or abrasive cleaners.