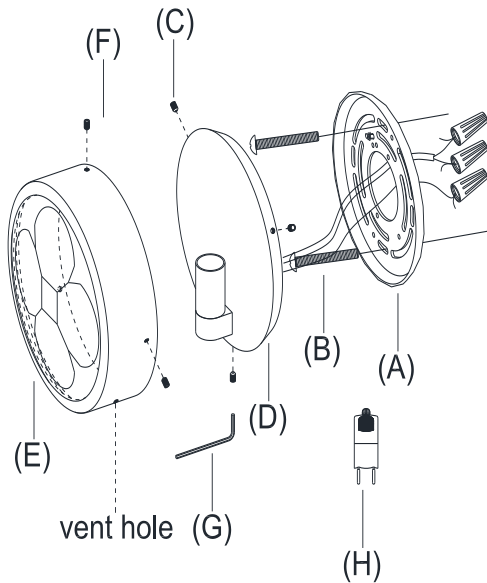


RESTORATION HARDWARE

MONTESQUIEU 6" FLUSHMOUNT/SCONCE

PARTS ENCLOSED

- (A) Mounting Plate (1)
- (B) Mounting Screws (2)
- (C) Base Screws (3)
- (D) Fixture Base (1)
- (E) Shade (1)
- (F) Set Screws (3)
- (G) Wrench (1)
- (H) Light Bulb (1)



IMPORTANT!

Vent hole must be at the bottom of the fixture.

IMPORTANT SAFETY INSTRUCTIONS

WE RECOMMEND INSTALLATION BY A LICENSED ELECTRICIAN.

This fixture has been rated for one (1) 35-Watt maximum Type T4 bulb (H) (included). To avoid the risk of fire, do not exceed the recommended wattage.

OUTDOOR INSTALLATION

1. Fixture must be mounted 4 feet from ground.
2. Use silicone caulk to seal fixture where the mounting plate meets the surface to prevent water from seeping in.

WARNINGS

1. All wires are connected.
2. Do not remove the lamp from its packaging by pulling on the power cord, as a bad connection may result.
3. Do not connect electricity until your lamp is fully assembled.
4. To reduce the risk of fire, electrical shock, or personal injury, always turn off and unplug lamp to allow it to cool prior to replacing light bulb.
5. Do not touch bulb when fixture is turned on or look directly at lit bulb.
6. Keep flammable materials away from lit bulb.
7. This lighting fixture contains lead, a chemical known to the State of California to cause cancer, birth defects and other reproductive harm. Wash hands after installing, handling, cleaning, or otherwise, touching this light fixture.

TO ASSEMBLE

1. Carefully remove all parts from the box and remove all plastic covering.
2. Remove shade (E) from fixture base (D) by removing set screws (F).
3. Remove mounting plate (A) from fixture base (D) by unscrewing base screws (C) with wrench (G) in clockwise direction.
4. Attach mounting plate (A) to wall outlet box by aligning the holes and secure with mounting screws (B).
5. Gently pull the wire from wall outlet box and allow the wire to hang. Thread the wire through the center hole in mounting plate (A).
6. Attach the fixture ground wire (green wire) and house ground wire (usually green or bare wire) to wall outlet box with the green grounding screw. Connect fixtures to corresponding house wire with a wire nut. Carefully tuck the wires back into the outlet box. **IT IS IMPERATIVE THAT THE OUTLET BOX IN YOUR HOME BE PROPERLY GROUNDED.**
7. Connect the neutral wire (white wire) to the neutral outlet wire (usually white) with a plastic wire connector and wrap the connection with electrical tape.
8. Connect the hot wire (black wire) to the hot outlet box wire (usually black) with a plastic wire connector and wrap the connection with electrical tape. **DO NOT REVERSE THE HOT AND NEUTRAL CONNECTIONS; OTHERWISE, SAFETY WILL BE COMPROMISED.**
9. Attach fixture base (D) to mounting plate (A), and secure with base screws (C). Tighten with wrench (G).
10. Insert the recommended bulb into threaded socket.
11. Replace shade (E) to fixture base (D) and secure with set screws (F).
12. Restore power to outlet box and check operation of fixture.
13. Assembly is complete.

CARE INSTRUCTIONS

Avoid the use of all polishers, cleaners, and abrasives, as they will damage the finish of your lamp. To remove dust or fingerprints, wipe gently with a soft, clean cloth.