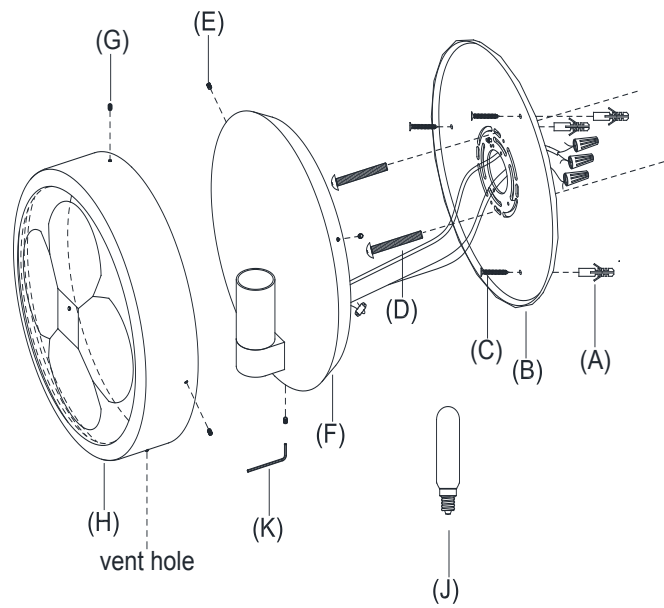


RH

MONTESQUIEU FLUSHMOUNT 12"

PARTS ENCLOSED

- (A) Plastic Anchors (3)
- (B) Mounting Plate (1)
- (C) Wall Screws (3)
- (D) Mounting Screws (2)
- (E) Base Screws (4)
- (F) Lamp Base (1)
- (G) Set Screws (3)
- (H) Shade (1)
- (J) Bulb (1)
- (K) Wrench (1)



MONTESQUIEU FLUSHMOUNT 12"

IMPORTANT SAFETY INSTRUCTIONS

INSTALLATION BY A LICENSED ELECTRICIAN IS STRONGLY RECOMMENDED.

This fixture has been rated for one (1) 40-Watt maximum TYPE T light bulb (J) (included) or one (1) 9-Watt compact fluorescent light bulb (not included). To avoid the risk of fire, do not exceed the recommended wattage.

WARNINGS

All wires are connected. When unpacking, be careful not to pull wires, as a bad connection may result. Do not connect electricity until your fixture is fully assembled. To reduce the risk of fire, electrical shock, or personal injury, always turn off fixture and allow it to cool prior to replacing the light bulb. Do not touch or look directly at the bulb when fixture is illuminated. Keep flammable materials away from lit bulb.



WARNING: This product can expose you to lead, which is known to the State of California to cause cancer and birth defects or other reproductive harm. For more information, go to www.P65Warnings.ca.gov.

THIS IS NOT A TOY AND THE PRODUCT HAS NO PLAY VALUE.



WARNING: STRANGULATION HAZARD

Keep cord at least 3 ft away from cribs, bassinets, and toddler beds. Keep out of reach of children under 3.

ASSEMBLY & INSTALLATION

SHUT OFF THE MAIN ELECTRICAL SUPPLY FROM THE FUSE BOX OR CIRCUIT BREAKER PANEL.

1. Carefully remove all parts from the box
2. Remove Shade (H) from Lamp Base (F) by removing Set Screws (G).
3. Remove Mounting Plate (B) from the Lamp Base (F) by unscrewing Base Screws (E) with Allen Wrench (K).
4. Place Mounting Plate (B) at desired location on the wall. Mark center point locations for three hanging holes with a pencil. Remove Mounting Plate (B).
5. Drill small holes on each point location on the wall, each hole should be large enough to accommodate the Plastic Anchors (A). Push Plastic Anchors (A) into the holes on the wall.
6. Attach Mounting Plate (B) to the wall outlet by aligning the holes and secure by inserting Wall Screws (C) to the Plastic Anchors (A) and Mounting Screws (D) to the wall outlet box.
7. Attach the fixture ground wire (GREEN) to the ground wire from the outlet box (usually green) with a metal wire connector and wrap the connection with electrical tape.
8. Connect the hot wire (BLACK) to the hot outlet box wire (usually black) with a plastic wire connector and wrap the connection with electrical tape.
9. Connect the neutral wire (WHITE) to the neutral outlet wire (usually white) with a plastic wire connector and wrap the connection with electrical tape.
10. Attach Lamp Base (F) to the affixed Mounting Plate (B) and secure with Base Screws (E). Tighten with Allen Wrench (K).
11. Insert Bulb (J) into socket.
12. Replace Shade (H) to Lamp Base (F) and secure with Set Screws (G).
13. Restore power to outlet box and check operation of fixture.
14. Assembly is complete.

CARE INSTRUCTIONS

Do not use polishes or cleaners on your lamp. Just wipe clean with a soft cloth.