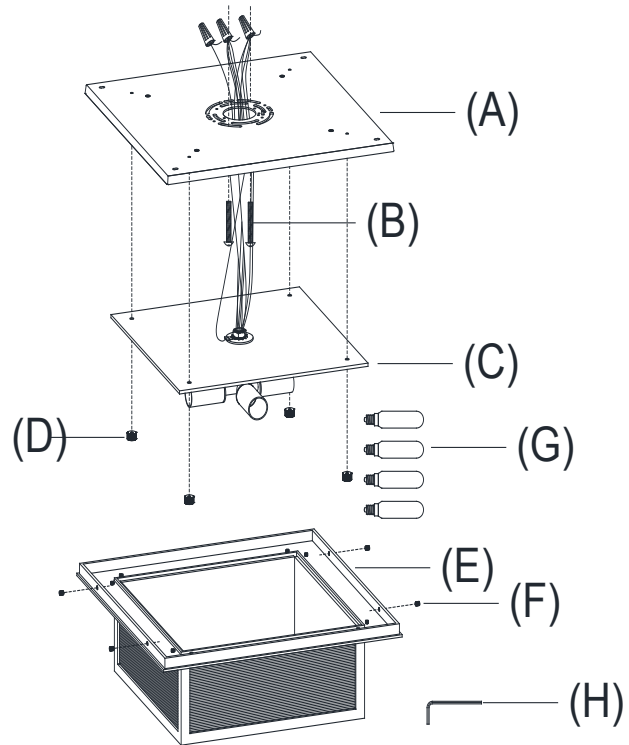


D'OLERON SQUARE FLUSHMOUNT

PARTS ENCLOSED

- (A) Mounting Plate (1)
- (B) Mounting Screws (2)
- (C) Fixture Base (1)
- (D) Cap Nuts (4)
- (E) Shade (1)
- (F) Set Screws (4)
- (G) Light Bulbs (4)
- (H) Allen Wrench (1)



D'OLERON SQUARE FLUSHMOUNT

IMPORTANT SAFETY INSTRUCTIONS

INSTALLATION BY A LICENSED ELECTRICIAN IS STRONGLY RECOMMENDED.

This fixture has been rated for up to four (4) 25-Watt maximum Type T bulb (G) (included) OR four (4) 9-Watt Compact Fluorescent light bulbs (not included). To avoid the risk of fire, do not exceed the recommended wattage.

WARNINGS

All wires are connected. When unpacking, be careful not to pull wires, as a bad connection may result. Do not connect electricity until your fixture is fully assembled. To reduce the risk of fire, electrical shock, or personal injury, always turn off fixture and allow it to cool prior to replacing the light bulb. Do not touch or look directly at the bulb when fixture is illuminated. Keep flammable materials away from lit bulb.



WARNING: This product can expose you to lead, which is known to the State of California to cause cancer and birth defects or other reproductive harm. For more information, go to www.P65Warnings.ca.gov.

THIS IS NOT A TOY AND THE PRODUCT HAS NO PLAY VALUE.



WARNING: STRANGULATION HAZARD

Keep cord at least 3 ft away from cribs, bassinets, and toddler beds. Keep out of reach of children under 3.

ASSEMBLY & INSTALLATION

SHUT OFF THE MAIN ELECTRICAL SUPPLY FROM THE FUSE BOX OR CIRCUIT BREAKER PANEL.

1. Carefully remove all parts from the box and remove all plastic covering.
2. Remove Mounting Plate (A) from Fixture Base (C) by unscrewing Cap Nuts (D) in counter-clockwise direction.
3. Place Mounting Plate (A) to ceiling outlet box by aligning the holes and secure with Mounting Screws (B).
4. Attach the fixture ground wire (GREEN) to the ground wire from the outlet box (usually green or bare wire) with a plastic wire connector and wrap the connection with electrical tape.
5. Connect the neutral wire (WHITE) to the neutral outlet wire (usually white) with a plastic wire connector and wrap the connection with electrical tape.
6. Connect the hot wire (BLACK) to the hot outlet box wire (usually black) with a plastic wire connector and wrap the connection with electrical tape.
7. DO NOT REVERSE THE HOT AND NEUTRAL CONNECTIONS; OTHERWISE, SAFETY WILL BE COMPROMISED!
8. Place the Fixture Base (C) to the affixed Mounting Plate (A) and secure with Cap Nuts (D).
9. Insert the recommended Light Bulbs (G) (included) into sockets.
10. Attach Glass Shade (F) to the affixed Mounting Plate (A) and secure inserting Set Screws (F) into the holes on the edge of Glass Shade (E). Tighten with Allen Wrench (H).
11. Assembly is complete.

CARE INSTRUCTIONS

Do not use polishes or cleaners on your lamp. Just wipe clean with a soft cloth.