

RESTORATION HARDWARE

Our lighting assortment is crafted from high quality materials such as cast brass and solid crystal. Each lamp is clad in one of our signature finish options and the surfaces sealed to eliminate the need for polishing. A full-range dimmer switch housed in a cast socket is included on most styles.

PARTS ENCLOSED:

- (A) SHADE
- (B) SOCKET
- (C) BACKPLATE SCREW (X3)
- (D) BACKPLATE
- (E) MOUNTING PLATE
- (F) MOUNTING PLATE SCREW (X2)

IMPORTANT SAFETY INSTRUCTIONS:

*These instructions are provided for your safety. It is very important that they are read completely before beginning the installation of your fixture.

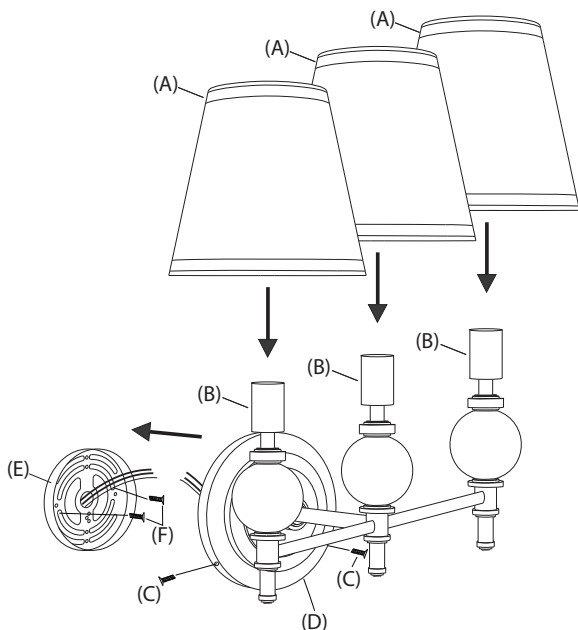
*DIRECT WIRE FIXTURES: WE STRONGLY RECOMMEND INSTALLATION BY A LICENSED ELECTRICIAN.

WARNINGS:

Turn off power (unplug from the wall outlet) before replacing the bulb(s), making sure the bulb(s) had sufficient time to cool down. DO NOT subject the lamp to any shock while lit as shattering of lamp may result.

TO ASSEMBLE:

1. REMOVE ALL PARTS CAREFULLY FROM THE CARTON.
2. Remove mounting plate (E) from backplate (D) by removing the backplate screws (C).
3. Guide wiring from the outlet box through the center hole of mounting plate (E).
4. Affix mounting plate (E) to the wall using mounting plate screws (F) provided.
5. Connect the grounding wire (green and yellow striped) from the fixture to the grounding wire in the outlet box. Connect the black wire of the fixture (or smooth side of the wire) to the black wire in outlet box. Connect the white wire of the fixture (or rough side of the wire) to the white wire in outlet box.
6. Hold backplate (D) to mounting plate (E). Align screw holes in backplate (D) with screw holes in mounting plate (E). Slide backplate (D) over mounting plate (E). Secure fixture to mounting plate (E) using screws (C).
7. Install three (3) Type B, 60 watt maximum bulbs into sockets (B).
8. Open shade clip located inside shade (A) and gently affix onto light bulb to secure shade (A) to fixture.



CARE INSTRUCTIONS:

To clean, use a soft cloth only. DO NOT use any chemical or abrasive cleaners.