

RESTORATION HARDWARE

MARBLE TOP HANDLING INSTRUCTIONS

Caution:

- Keep the marble top in it's packaging until installation. Store on it's long edge.
- When removing from package, ensure that is removed vertically on it's long edge.
- Always carry vertically on it's long edge. Carrying flat will cause breakage.

Before You Begin:

- Professional installation by two-person crew is required.
- Install sink base, water supply and drain piping according to local plumbing and building codes. Insure that wall and floor are square and plumb at site of installation.

Tools and Materials Required:

1. Flat, nonabrasive work surface such as a blanket or smooth cardboard
2. Carpenter's level
3. Phillips head screwdriver
4. Sealant
5. Assembled Sink and Basin

Storage:

When you receive your marble top, please store safely until scheduled installation.

Stone tops are very fragile; to prevent breakage please follow care instructions:

- The stone tops are in wooden crates and must not be dropped or allowed to fall.
- Before installation, stone tops should be stored upright and on the long side.
- Make sure stone top is secure in stored location and will not topple over.
- Do not place anything on top of marble tops before they are installed on sink

Special Handling Instructions for Stone

1. Check marble for damages upon receipt
2. Due to its fragile nature, it is critical that the marble is not stored flat. It should be stored on long side.
3. Handle crate on edge; never handle or transport flat.
4. Carefully, without allowing any freefall rotate edge to flat base surface
5. Unscrew the crate's lid from the body.
6. Examine for cracks or cosmetic defects.
7. Do not lift or handle the stone until you are ready to install.
8. Once inspected, if there are damages or missing items, please call Customer Service 877-777-7059
9. To clean, wipe with a soft damp cloth

Assembly information:

For assembly with Restoration Hardware sink bases and basins, see included assembly instructions.

RESTORATION HARDWARE

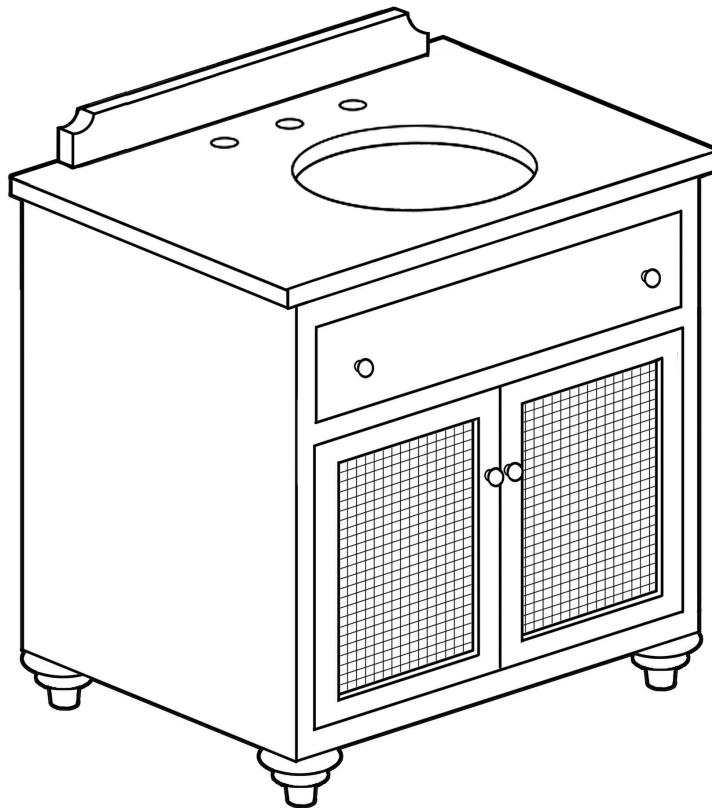
BRITISH CANE SINGLE VANITY SINK ASSEMBLY INSTRUCTIONS

Before You Begin:

Professional installation by two-person crew is required for this fixture. Install water supply and drain piping according to local plumbing and building codes. Insure that wall and floor are square and plumb at site of installation.

Tools and Materials Required:

1. Flat, nonabrasive work surface such as a blanket or smooth cardboard
2. Carpenter's level
3. Phillips head screwdriver
4. Sealant



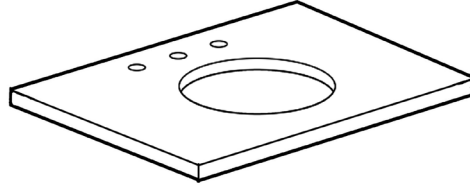
ASSEMBLED SINK

RESTORATION HARDWARE

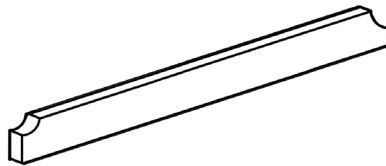
BRITISH CANE SINGLE VANITY SINK ASSEMBLY INSTRUCTIONS

Parts List

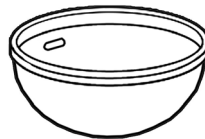
- A. Stone top (sold separately)



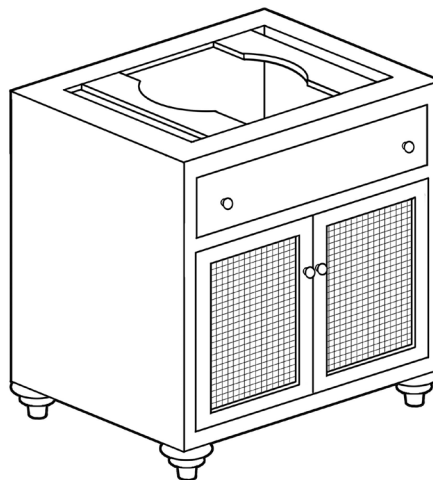
- B. Backsplash (sold separately)



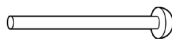
- C. Lavatory basin



- D. Vanity



- E. Screws (x4)

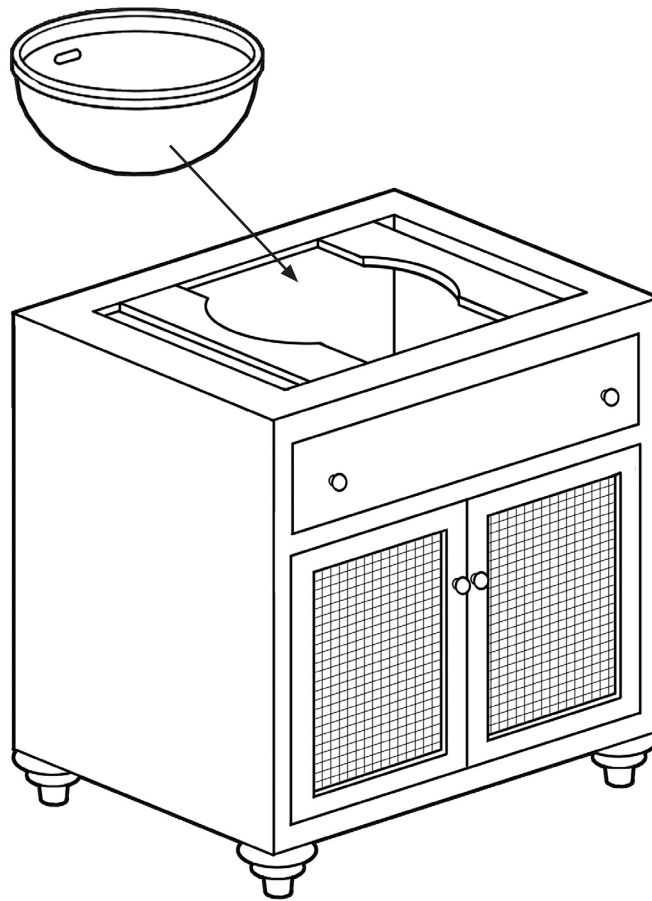


RESTORATION HARDWARE

BRITISH CANE SINGLE VANITY SINK ASSEMBLY INSTRUCTIONS

Assembly Instructions:

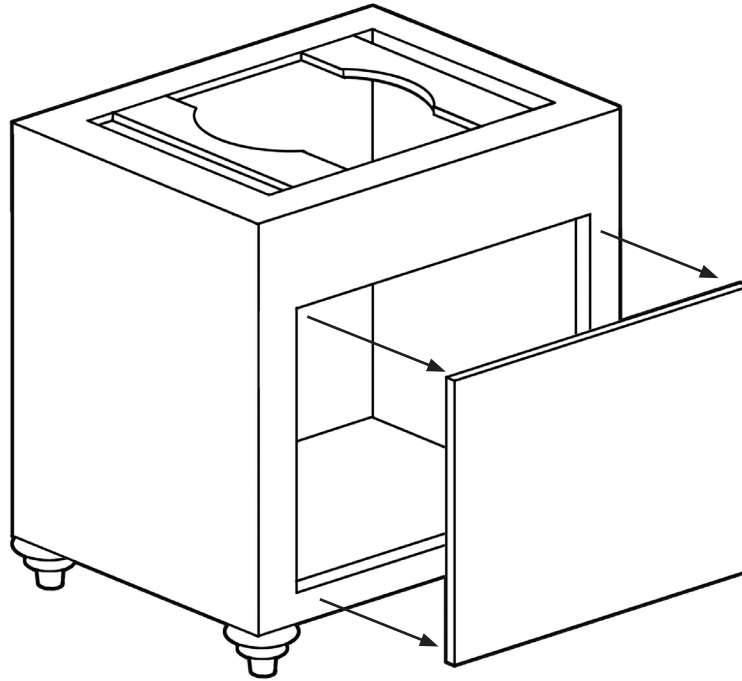
1. Place the basin (C) on the support bars of vanity (D). Overflow of lavatory basin should be on same side as pre-drilled faucet holes on stone top. (See Illustration).



RESTORATION HARDWARE

BRITISH CANE SINGLE VANITY SINK ASSEMBLY INSTRUCTIONS

2. Remove screws and back panel when installing faucet to sink. (See Illustration.) Back panel can be discarded or reattached with cutouts to accommodate plumbing.



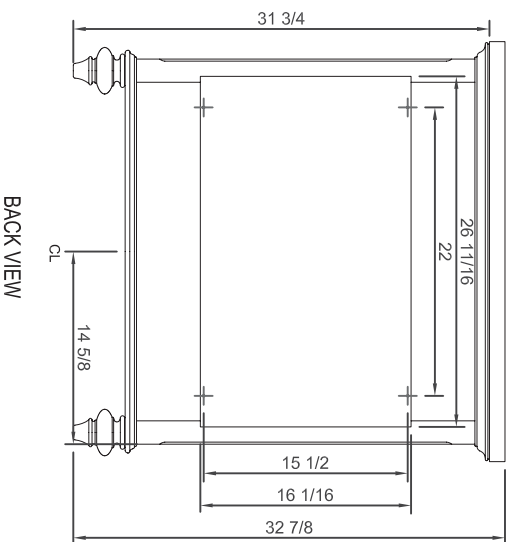
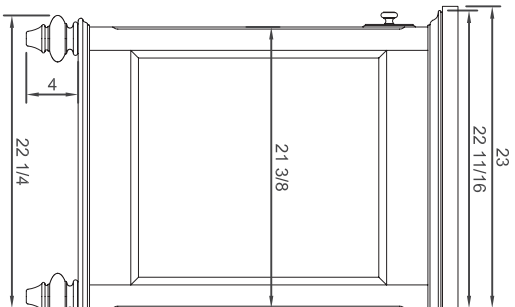
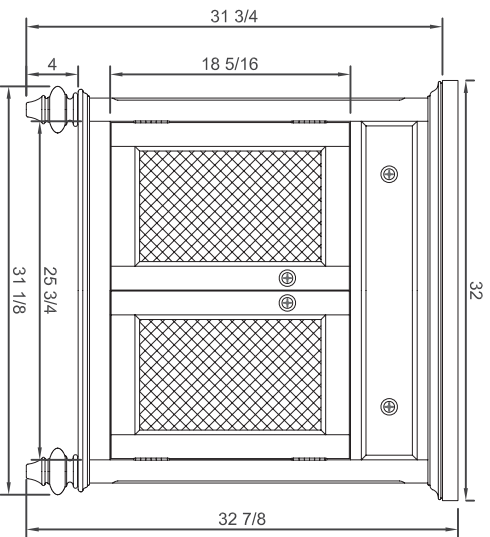
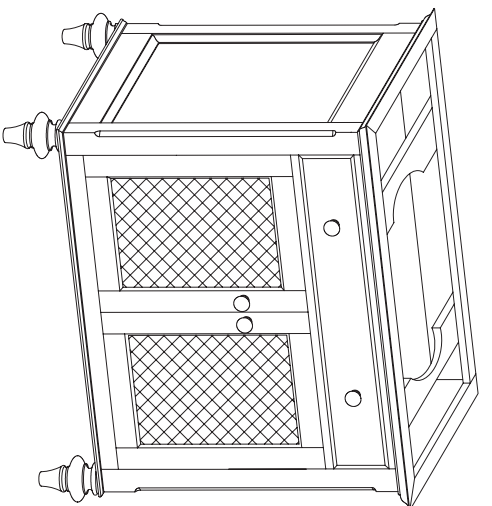
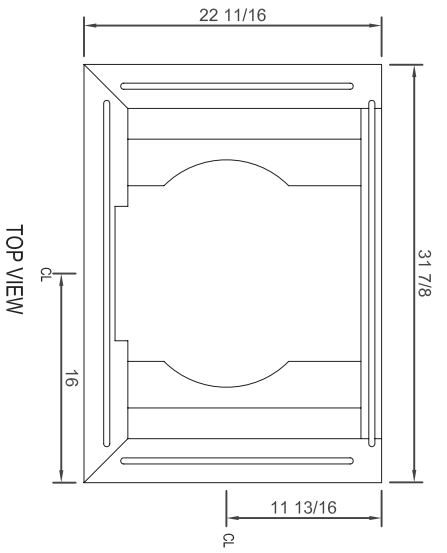
3. Apply a continuous bead of sealant to the top surface of rim of lavatory basin (C) where it will contact underside of stone top.
4. Using two people, lift stone top (A), carefully place it in position on top of vanity base.
5. Apply silicone sealant to bottom and back of backsplash (B) and attach to wall and marble top.

Cleaning and Maintenance Instructions:

Avoid abrasive and harsh chemical cleaners.

To maintain and protect luster of vanity sink components, Restoration Hardware Bathroom Cleaning Products are recommended.

Restoration Hardware natural stone tops have a honed finish and hand-polished edges. They are sealed twice before shipment with inert silicone sealant. For cleaning and maintenance, Restoration Hardware Stone Care Products are recommended. To maintain your natural stone top, reseal it once a year.



BRITISH CANE SINGLE VANITY

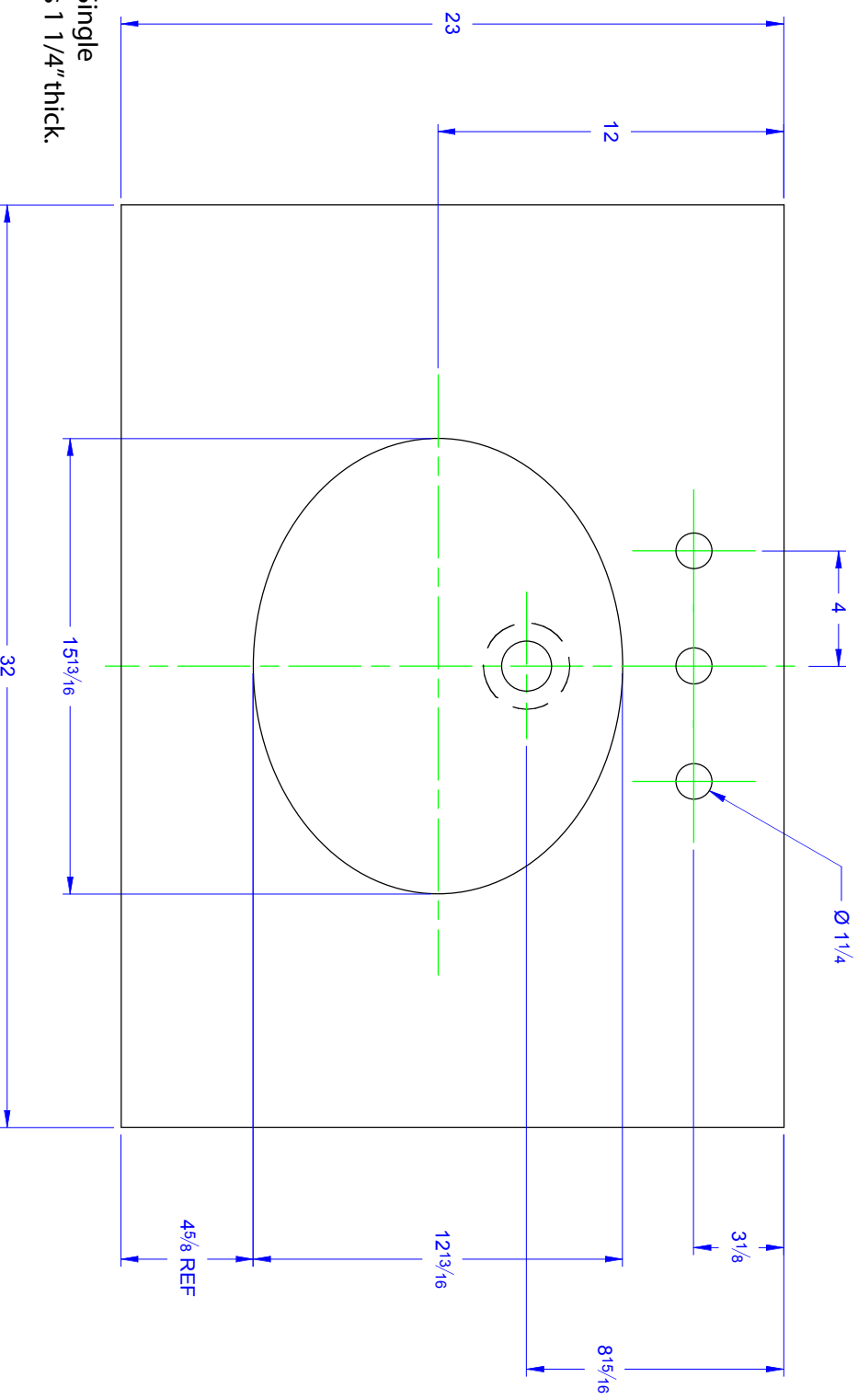
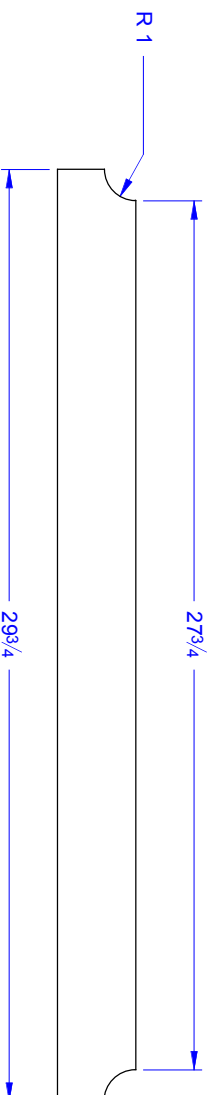
DRAWINGS REPRESENT ORIGINAL DESIGN SPECIFICATIONS. ACTUAL PRODUCT DIMENSIONS MAY VARY SLIGHTLY.

ALL DIMENSIONS ARE REPRESENTED IN INCHES.

PROFESSIONAL INSTALLATION REQUIRED

Unless otherwise noted, all design and content, images, artwork, graphics, photography, text, and the like are copyrights, trademarks, trade dress, and/or intellectual property that are owned, controlled, or licensed by Restoration Hardware.

RESTORATION HARDWARE



British Cane Single
 Note: Stone is 1 1/4" thick.

BRITISH CANE SINGLE STONE

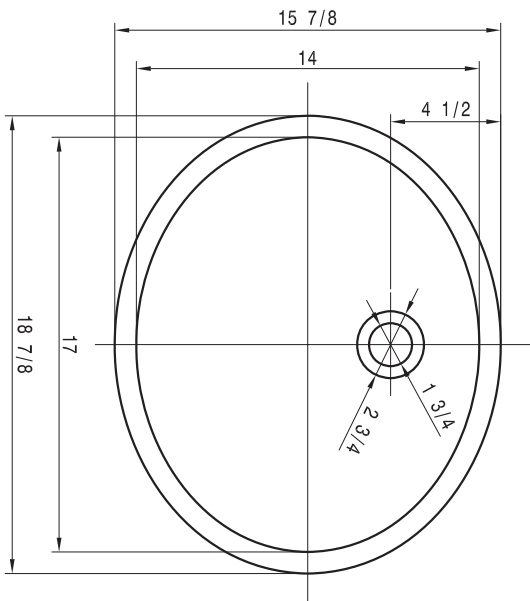
DRAWINGS REPRESENT ORIGINAL DESIGN SPECIFICATIONS. ACTUAL PRODUCT DIMENSIONS MAY VARY SLIGHTLY.

ALL DIMENSIONS ARE REPRESENTED IN INCHES.

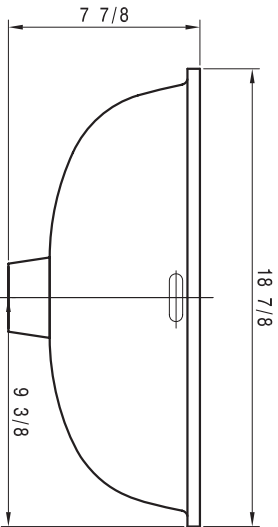
PROFESSIONAL INSTALLATION REQUIRED

RESTORATION HARDWARE

Unless otherwise noted, all design and content, images, artwork, graphics, photography, text, and the like are copyrights, trademarks, trade dress, and/or intellectual property that are owned, controlled, or licensed by Restoration Hardware.

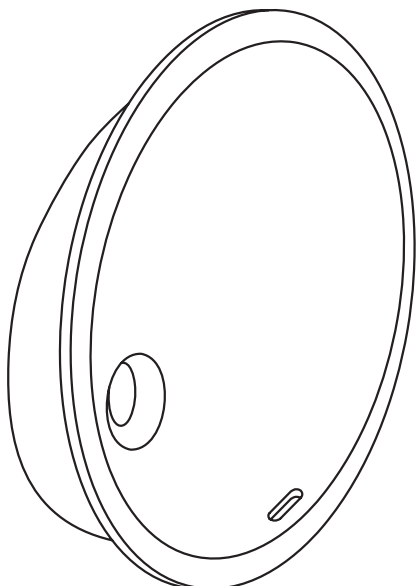


TOP VIEW

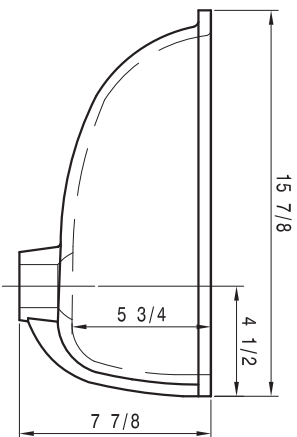


FRONT VIEW

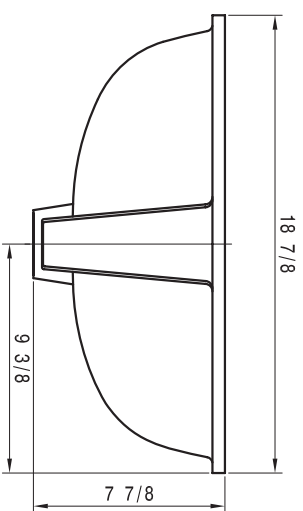
17 INCH BASIN TOLERANCE: $\pm 3\%$



3D VIEW



SIDE VIEW



BACK VIEW

17 INCH BASIN

DRAWINGS REPRESENT ORIGINAL DESIGN SPECIFICATIONS. ACTUAL PRODUCT DIMENSIONS MAY VARY SLIGHTLY.

ALL DIMENSIONS ARE REPRESENTED IN INCHES.

PROFESSIONAL INSTALLATION REQUIRED

Unless otherwise noted, all design and content, images, artwork, graphics, photography, text, and the like are copyrights, trademarks, trade dress, and/or intellectual property that are owned, controlled, or licensed by Restoration Hardware.

RESTORATION HARDWARE