

# RESTORATION HARDWARE

## RIBBON FLOOR LAMP

### PARTS ENCLOSED:

- (A) Lamp body (1)
- (B) Adapter (1)
- (C) Dimmer switch (1)
- (D) Base (1)
- (E) Screw (3)
- (F) Allen key (1)
- (G) Black bumper (3)

### IMPORTANT SAFETY INSTRUCTIONS:

For safety purposes, this lamp is equipped with a polarized plug (one blade is wider than the other). If the plug does not fit securely into your outlet, do not force it; contact a professional electrician. Use the plug with an extension cord only if it can be fully inserted into the cord's socket. Never alter the plug in any way.

### WARNINGS:

All wires are connected. When unpacking, be careful not to pull wires as a bad connection may result. Do not connect electricity until your lamp is fully assembled.

Do not touch the LED strip or look directly at lit LED strip.

Keep flammable materials away from lit LED strip.

### TO ASSEMBLE:

1. Carefully remove all parts from the box and remove all plastic covering.
2. Inset the Base (D) into the Lamp body (A). And use the Screws (E) to fix them by Allen key (F) provided.
3. See Fig. 1 to connect Lamp body (A) and Adapter (B) .
4. Stick the Black bumpers (G) under the lamp base.
5. Plug into proper electrical outlet and test fixture.
6. Assembly is complete.

### USE DIMMER SWITCH INSTRUCTION :

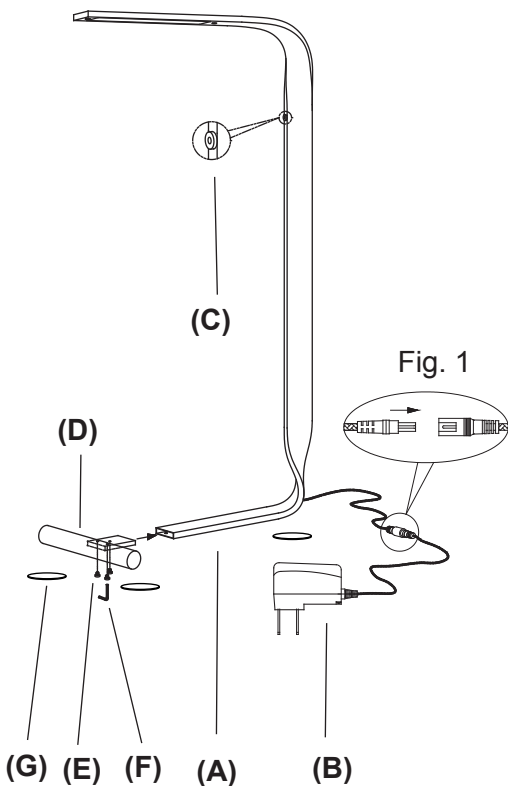
To turn on the light, press the switch button and release immediately.

To turn off the light, press the switch button and release immediately.

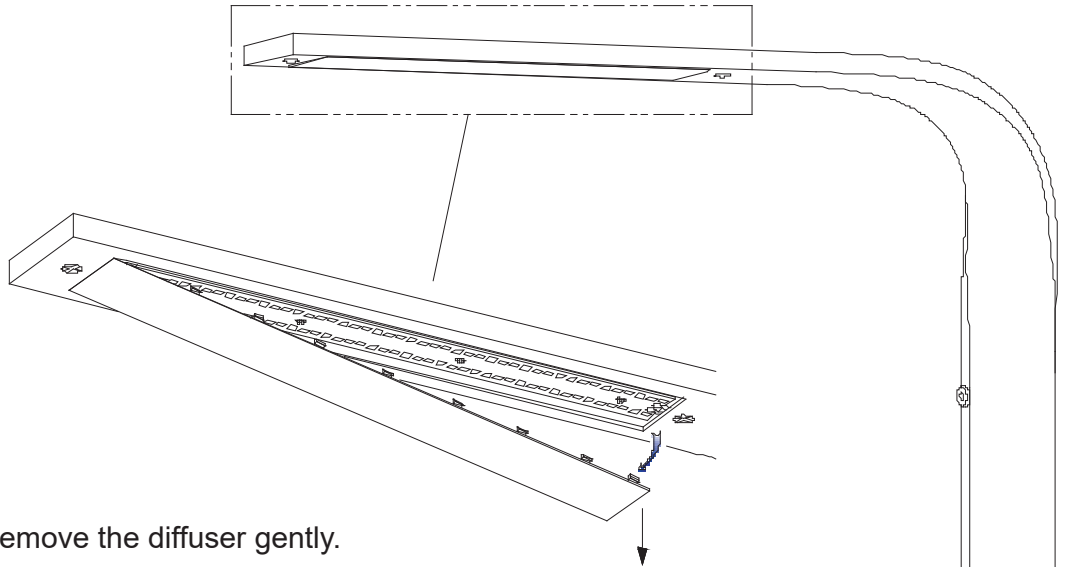
To adjust the light, press the switch button until the desired brightness.

### CARE INSTRUCTIONS:

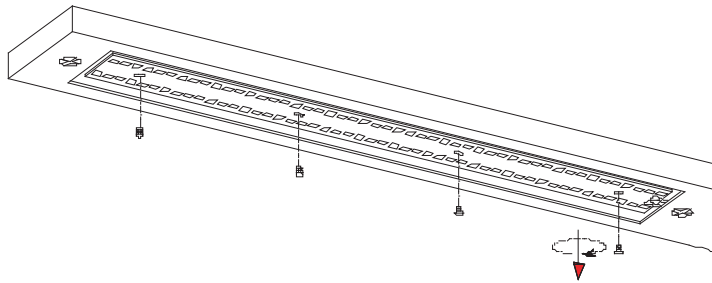
Do not use polishes or cleaners on your lamp.  
JUST WIPE CLEAN WITH SOFT CLOTH.



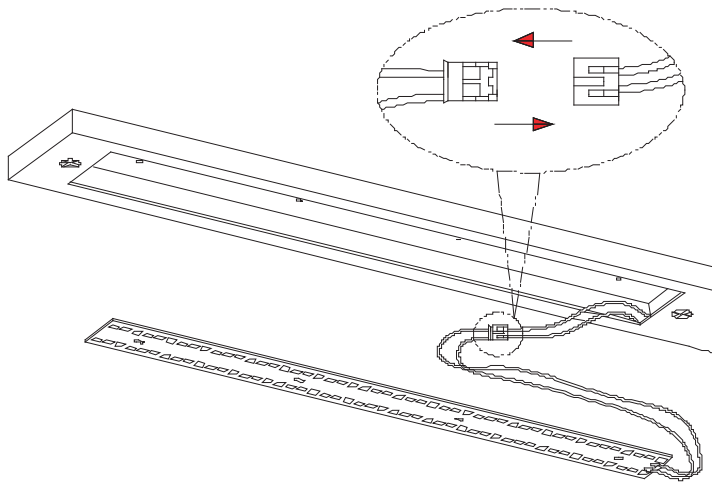
# LED Strip Replacement Instructions



1. Remove the diffuser gently.



2. Unscrew with a Phillips screwdriver.



3. Unplug the connector and replace the LED strip.