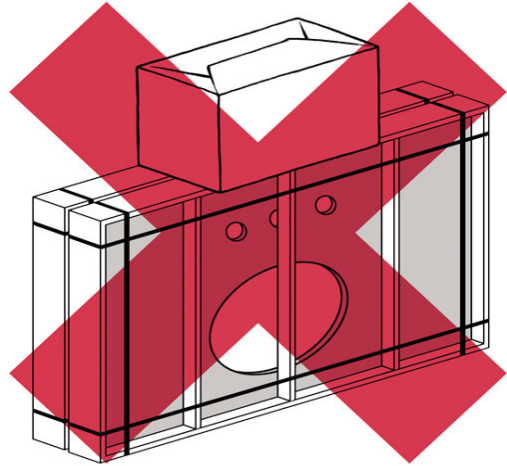
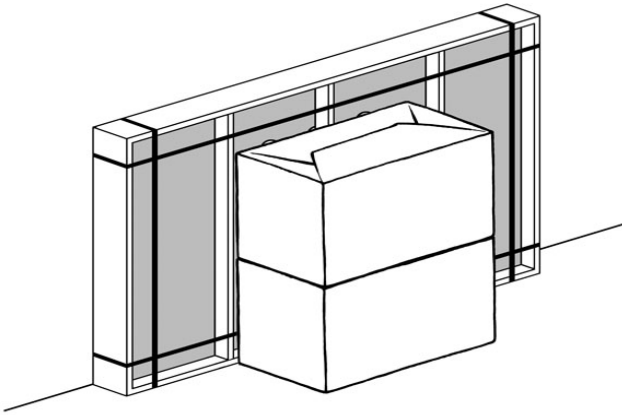


I. Storage

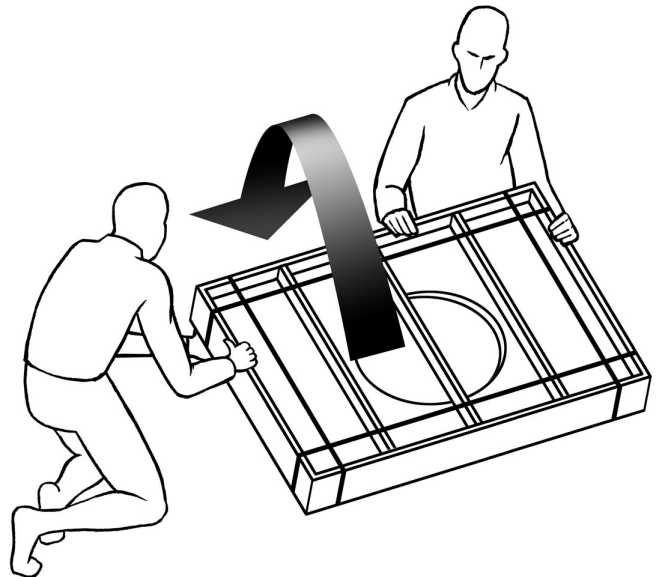
1. Keep marble top in its crate until installation.
2. Store crate vertically in a place safe from being hit or knocked over.
3. Do not stack anything on top of the crate.



2. Opening crate

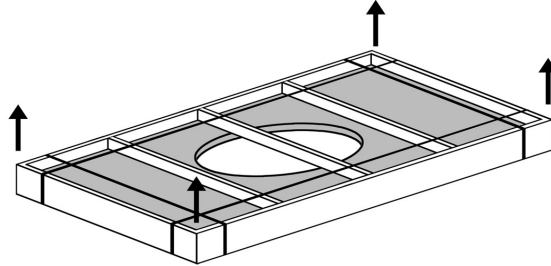
1. Before unpacking make sure you have installation requirements present:
 1. A professional two man crew
 2. Sink base installed according to instructions with plumb wall and floor
 3. Ensure the marble top is the correct one for the base.
4. Tools and materials required:
 1. Flat, non-abrasive work surface, such as a blanket or smooth cardboard
 2. Carpenter's level
 3. Phillips head screwdriver
 4. Sealant

2. Carefully, without allowing any free fall, rotate the crate from vertical to flat. This is the only time the crate should be horizontal.



3. Remove metal bands.

4. Unscrew the slats or lid and remove.



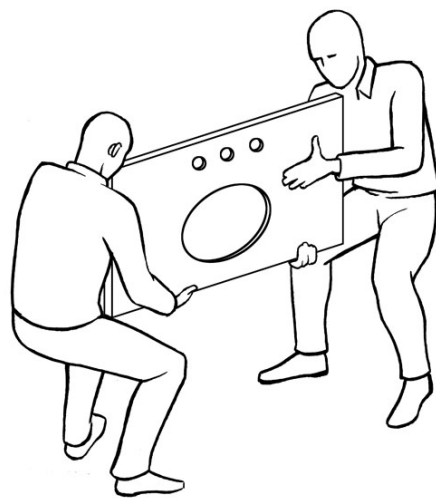
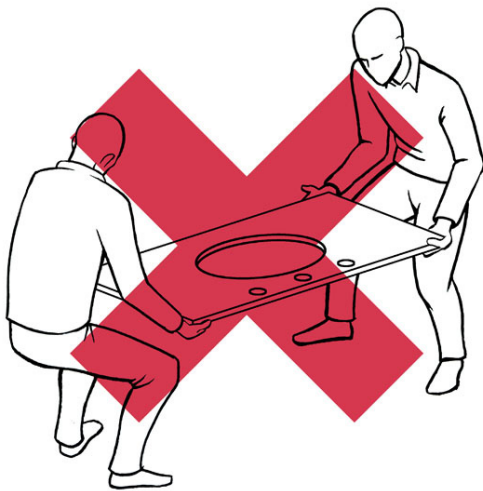
3. Examination of marble top

1. Examine the marble top for cracks or defects.
2. If defects are detected, please call 877-777-7059; do not install.
3. To clean the marble top, wipe with a soft cloth.

4. Installation of marble top

1. Always use a two man crew, a single person crew is much more likely to break or chip the marble top.

Double tops might require a 3 man crew.





Caution! Installation between two walls requires special care.

2. Specific Instructions for installation between two walls

1. Set top on its edge at back of counter.
2. Lower the front of the marble top to the sink base, making sure both ends come down at the same rate.
3. Do not shimmy, twist or turn the top as you lower it. - risk of breakage!



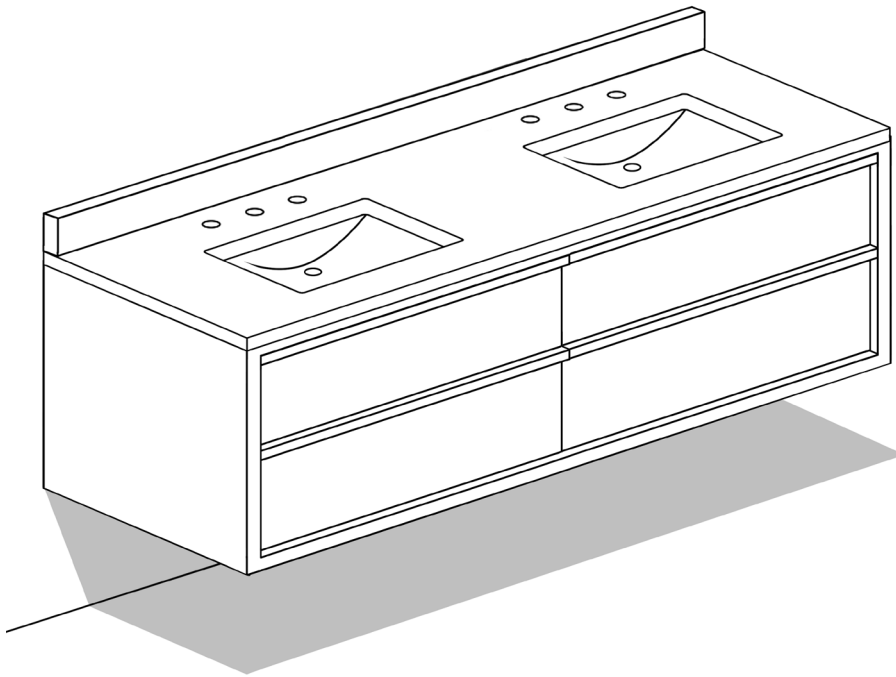
If defects are detected please call 877-777-7059 - do not install.

Before You Begin:

Professional installation by two-person crew is required for this fixture. Install water supply and drain piping according to local plumbing and building codes. Insure that wall and floor are square and plumb at site of installation.

Materials Required:

1. Flat, nonabrasive work surface such as a blanket or smooth cardboard
2. Silicone

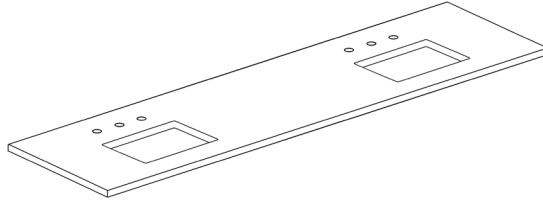


ASSEMBLED SINK

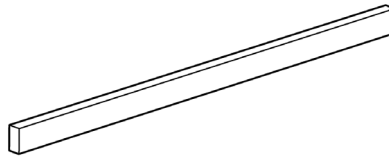
BEZIER DOUBLE EXTRA-WIDE FLOATING VANITY ASSEMBLY INSTRUCTIONS

Parts List

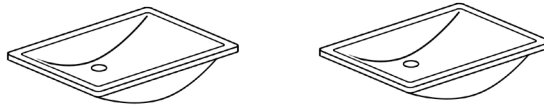
- A. Stone top (sold separately)



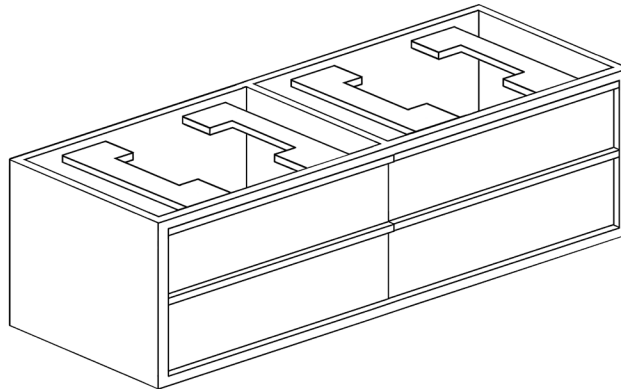
- B. Backsplash (sold separately)



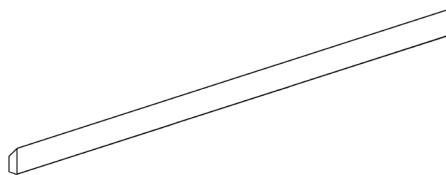
- C. Lavatory basin (x2)



- D. Vanity base



- E. Hanger



- F. Lag screw (x12)



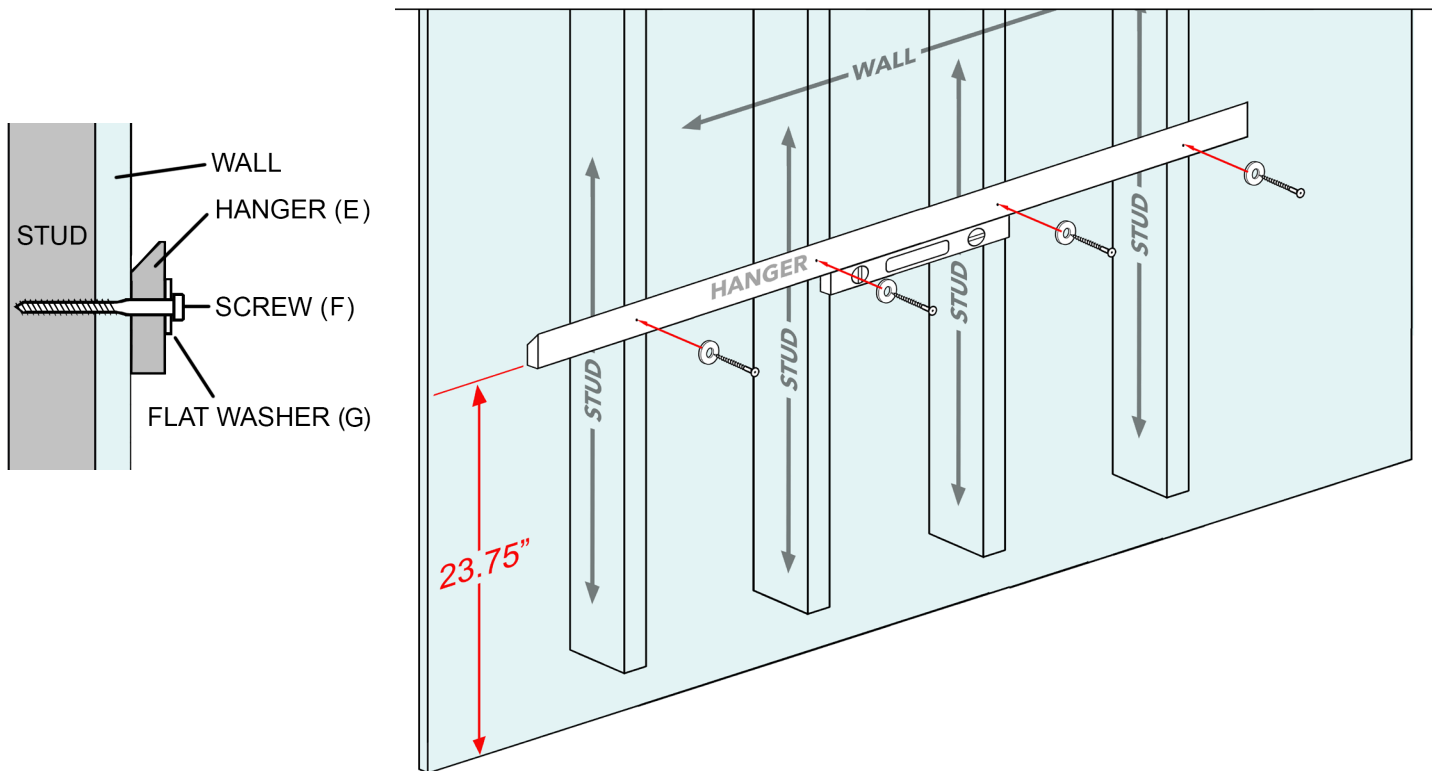
- G. Flat washer (x12)



BEZIER DOUBLE EXTRA-WIDE FLOATING VANITY ASSEMBLY INSTRUCTIONS

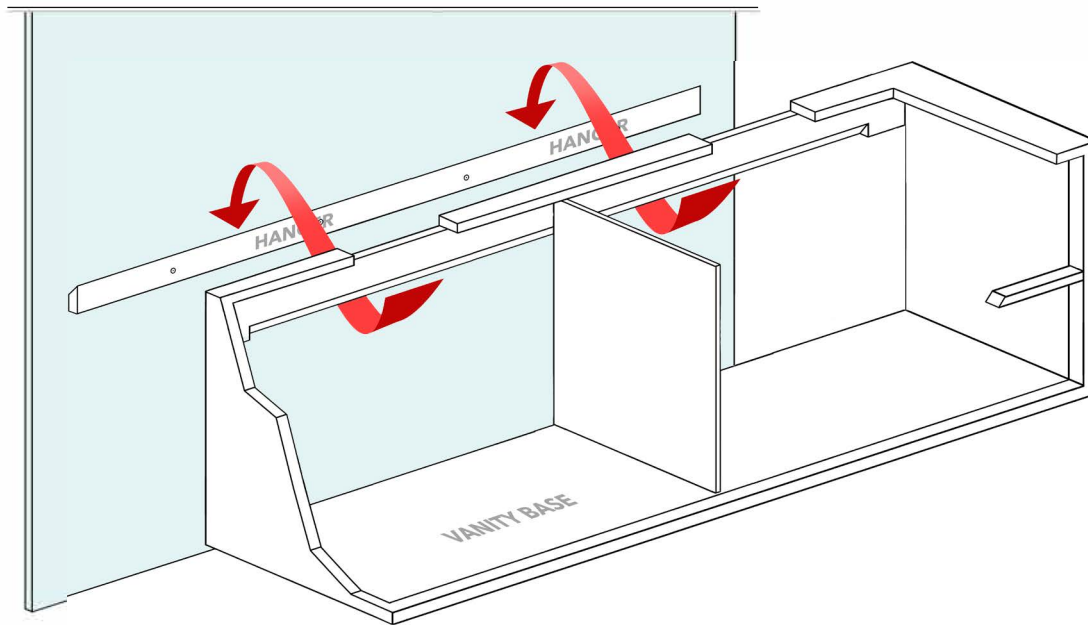
Assembly Instructions:

1. Hold the wood hanger (E) against the wall. Adjust and mark the position using a pencil. The distance from bottom of the wood hanger to the floor is 23.75 inches. The wood hanger must cross four wall studs. The wood hanger must be level.
2. Mark the four screw holes on the wood hanger (E). Make sure the holes are in line with wall studs. Drill guide holes on each mark.
3. Use lag screws (F) and washers (G) to attach the wood hanger to the wall. Make sure the screws are secure in the studs.

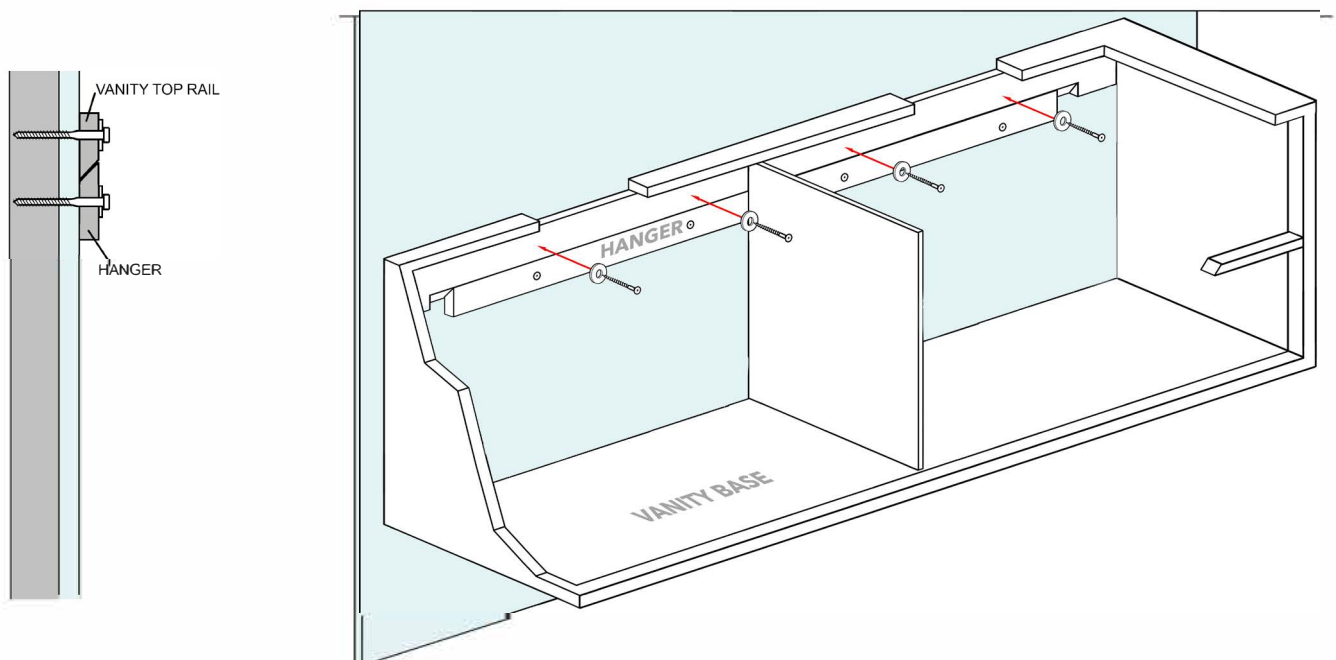


BEZIER DOUBLE EXTRA-WIDE FLOATING VANITY ASSEMBLY INSTRUCTIONS

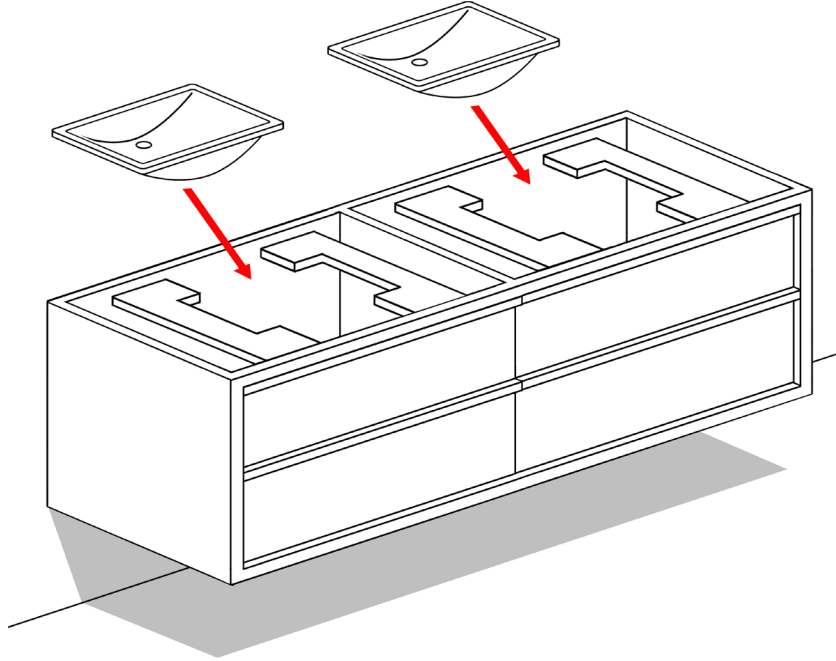
4. Remove drawers from vanity (D). Hang the vanity base on the wood hanger (E), holding the vanity in place with two people. Do not let the full weight of the vanity base sit on the wall hanger until the vanity base is also screwed into the studs.



5. While two people hold the vanity base (D) in place, the third person marks screw placement in the top rail in the back of the vanity, making sure they are in line with the screws in the hanger and aligned with the studs. Then drill guide holes and secure vanity to the wall with lag screws (F) and washers (G).



6. Place the basins (C) on the support bars of the vanity (D) (See Illustration). Overflow of lavatory basins should be on the same side as the pre-drilled faucet holes on the stone top.



7. Apply a continuous bead of silicone to the top surface of rim of lavatory basins where they will contact underside of stone top.
8. Using two people, lift stone top (A), carefully place it in position on top of vanity base.
9. Apply silicone to bottom and back of backsplash (B) and attach to wall and marble top. (Do not over-tighten.) Insure that lavatory basin is securely attached to stone top.

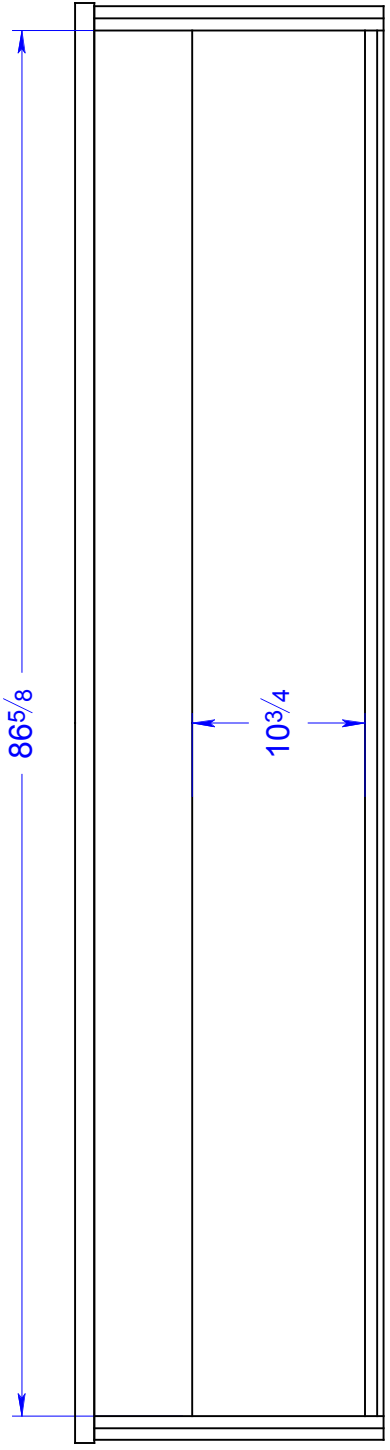
Cleaning and Maintenance Instructions:

Avoid abrasive and harsh chemical cleaners.

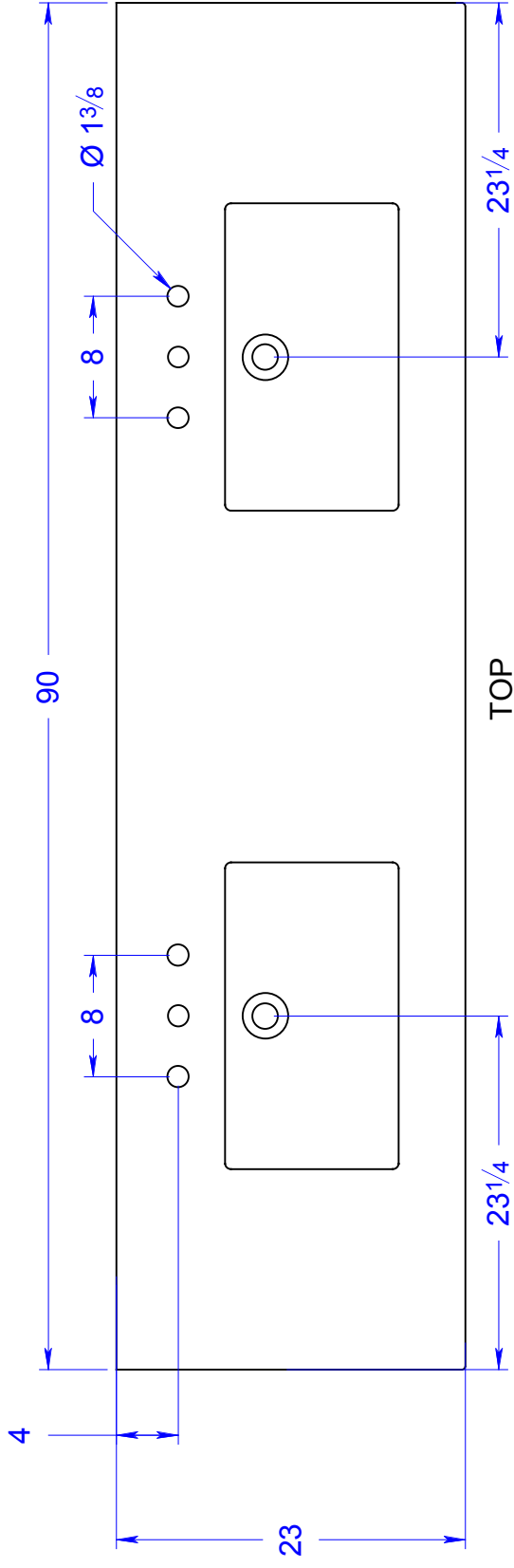
To maintain and protect luster of vanity sink components, Restoration Hardware Bathroom Cleaning Products are recommended.

Restoration Hardware natural stone tops have a honed finish and hand-polished edges. They are sealed twice before shipment with inert silicone sealant. For cleaning and maintenance, Restoration Hardware Stone Care Products are recommended. To maintain your natural stone top, reseal it once a year.

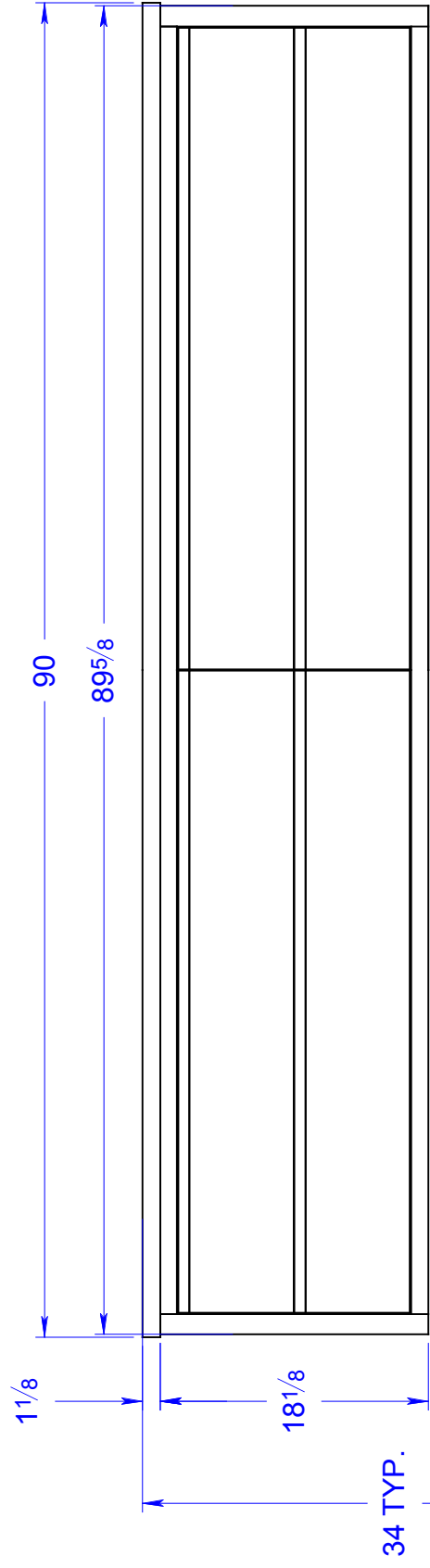
BEZIER
 FLOATING
 DOUBLE EXTRA
 WIDE VANITY



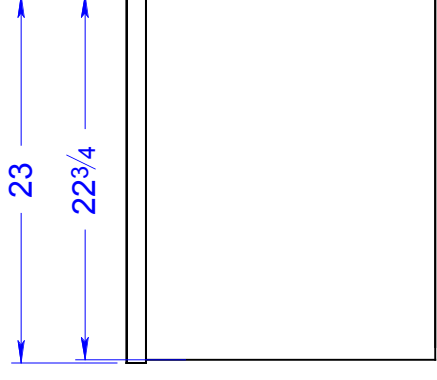
BACK



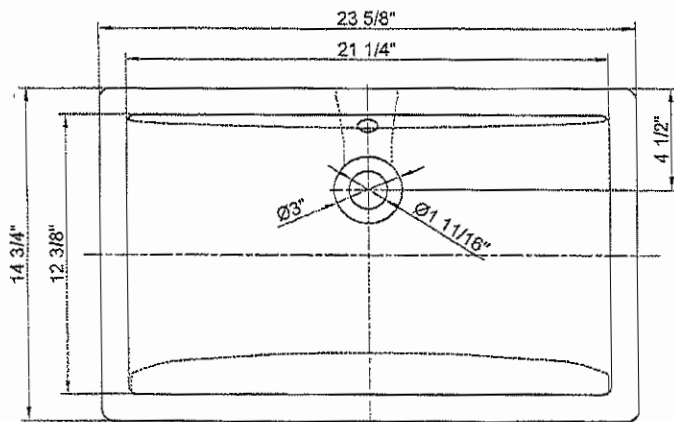
TOP



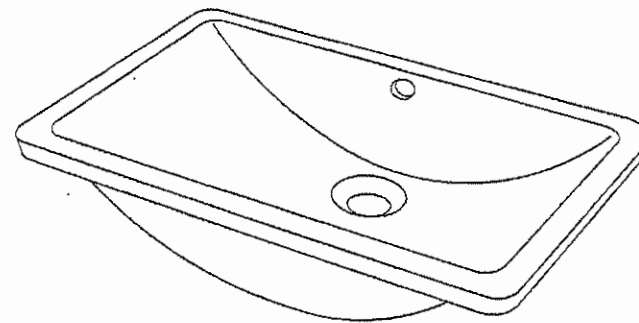
FRONT



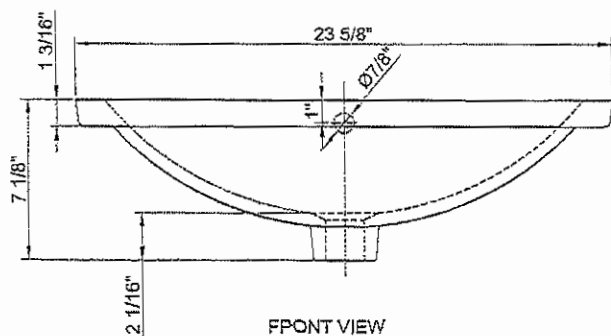
SIDE



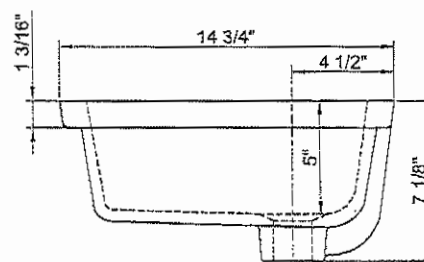
TOP VIEW



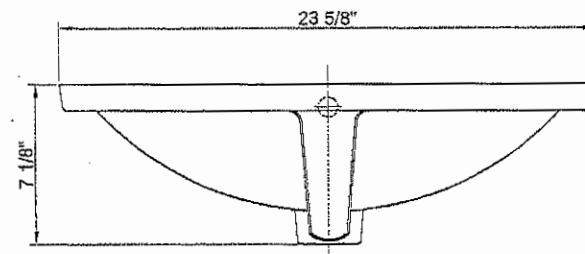
3D VIEW



FRONT VIEW



SIDE VIEW



BACK VIEW

RECTANGULAR BASIN

DRAWINGS REPRESENT ORIGINAL DESIGN SPECIFICATIONS. ACTUAL PRODUCT DIMENSIONS MAY VARY SLIGHTLY.
 ALL DIMENSIONS ARE REPRESENTED IN INCHES.
 PROFESSIONAL INSTALLATION REQUIRED

Unless otherwise noted, all design and content, images, artwork, graphics, photography, text, and the like are copyrights, trademarks, trade dress, and/or intellectual property that are owned, controlled, or licensed by Restoration Hardware.

RESTORATION HARDWARE