

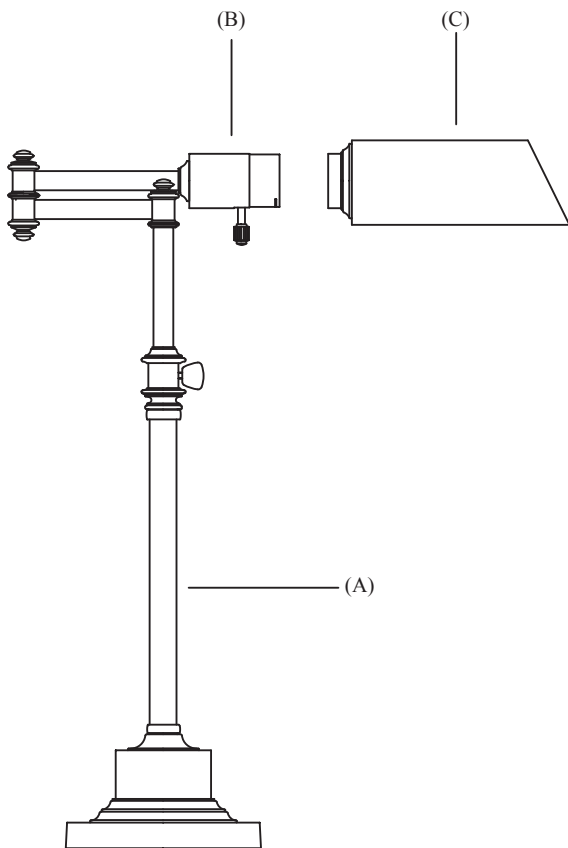
# RESTORATION HARDWARE

Thank you for purchasing Restoration Hardware Lighting. Our assortment is crafted with the highest quality details in mind: cast sockets, full range dimmers, and hand applied finishes. Each item's surface is sealed which eliminates the need for polishing and ensures the lasting brilliance of your piece for years to come.

## PARTS ENCLOSED:

- (A) Lamp Base (1)
- (B) Socket Cup (1)
- (C) Shade (1)

## LIBRARY TASK TABLE LAMP



## IMPORTANT SAFETY INSTRUCTIONS :

For safety purposes, this lamp is equipped with a polarized plug (one blade is wider than the other). If the plug does not fit securely into your outlet, do not force it - contact a professional electrician. Use the plug with an extension cord only if it can be fully inserted into the cord's socket. Never alter the plug in any way.

This fixture has been rated for up to (1) 60-watt maximum TYPE T (tubular) bulb. To avoid the risk of fire, do not exceed the recommended wattage.

## WARNINGS :

All wires are connected. When unpacking, be careful not to pull wires as a bad connection may result. Do not connect electricity until your lamp is fully assembled.

To reduce the risk of fire, electrical shock, or personal injury, always turn off and unplug lamp and allow it to cool prior to replacing light bulb.

Do not touch bulb when fixture is turned on or look directly at lit bulb.

Keep flammable materials away from lit bulb.

## TO ASSEMBLE:

1. Carefully remove all parts from the box and remove all plastic covering.
2. Insert Shade ( C ) onto Socket Cup (B).
3. Insert bulb, ( bulb included), into threaded socket.
4. Plug into proper electrical outlet and test fixture.
5. Assembly is complete.

## CARE INSTURCTIONS :

Do not use polishes or cleaners on your lamp.  
JUST WIPE CLEAN WITH SOFT CLOTH.