

TUUCI | MAX CENTER POST NAUTICAL TEAK HARDWOOD EASY DRIVE CRANK



ASSEMBLY & OPERATING INSTRUCTIONS

TO PROTECT YOUR PRODUCT, PLEASE READ THE OPERATING INSTRUCTIONS BEFORE OPENING THE PARASOL

1005205

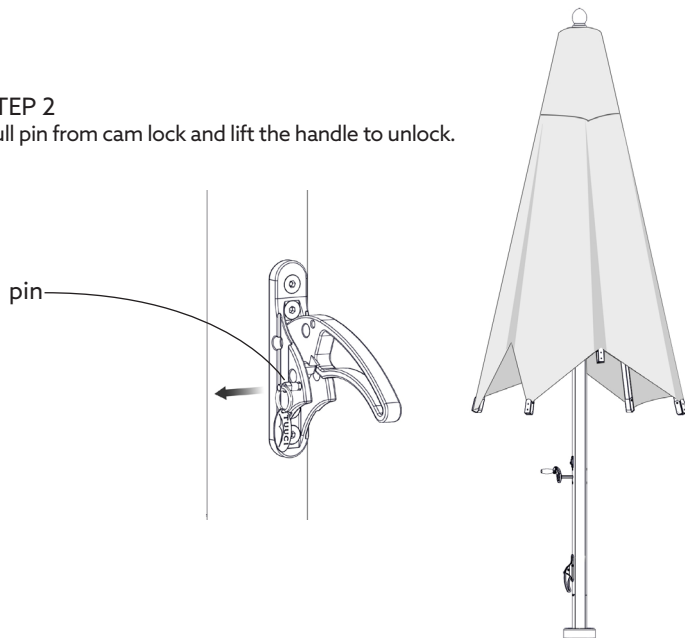
NAUTICAL TEAK HARDWOOD

STEP 1

Remove all packaging from in and around umbrella.

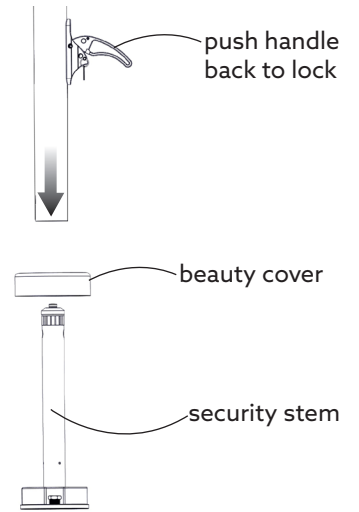
STEP 2

Pull pin from cam lock and lift the handle to unlock.



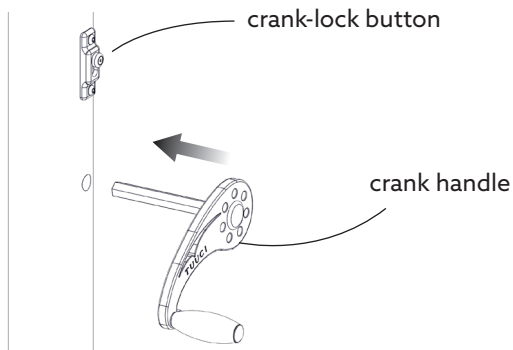
STEP 3

Once you have leveled the security stem using the base installation instructions, slide the post beauty cover and umbrella over the security stem (security stem is included with umbrella).



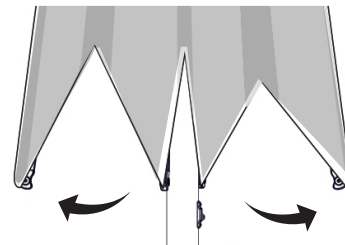
STEP 4

Insert crank handle and unlock crank-lock button by moving to up position.



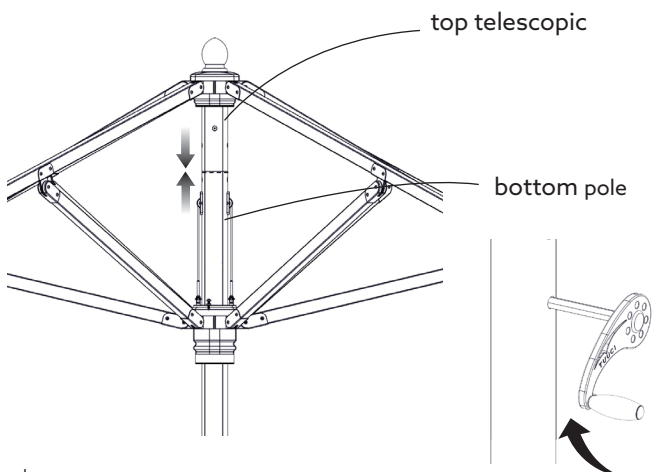
STEP 5

Gently separate each rib individually from the center hub approximately 10 inches. If the rib does not move easily, do not force. Inspect the product for additional packaging.



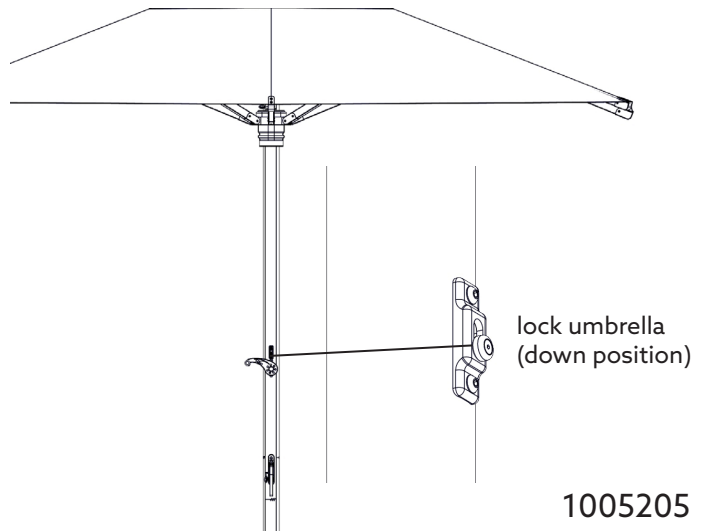
STEP 6

Open umbrella by turning crank handle clockwise until top telescopic head makes contact with bottom pole.



STEP 7

Crank lock must be in down position to lock opened umbrella.

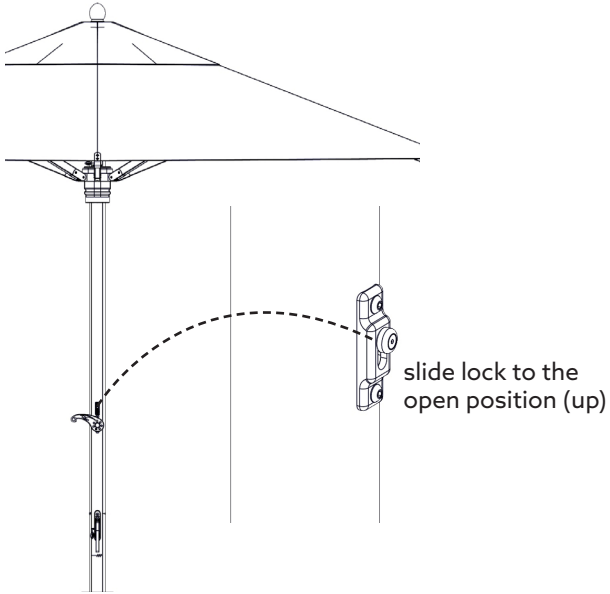


NAUTICAL TEAK HARDWOOD

CLOSING UMBRELLA

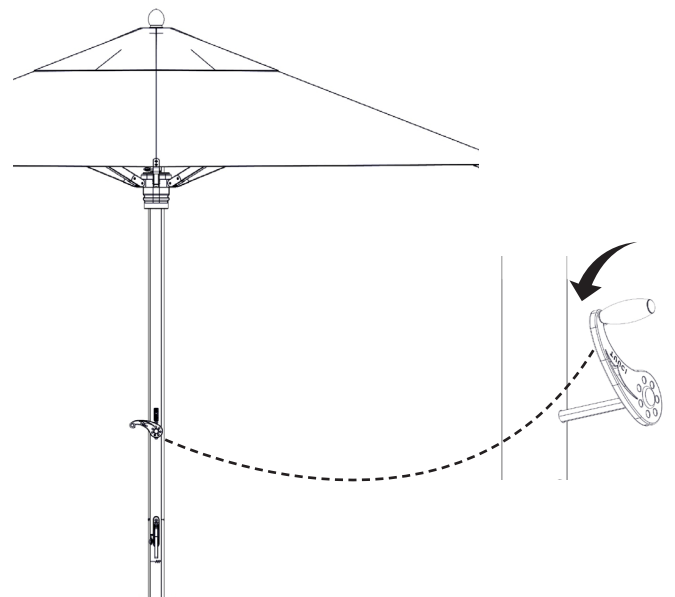
STEP 1

Crank lock must be in top position to unlock umbrella before closing.



STEP 2

Close umbrella by turning crank handle counter-clockwise

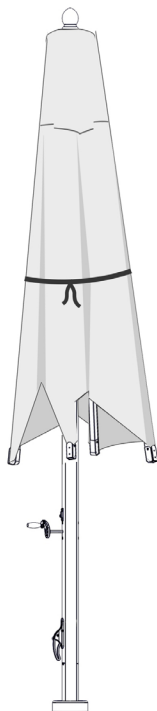


STEP 3

When not in use the canopy must be carefully folded and secured with the tie-strap.

Note:

close umbrella during wind conditions that exceed manufacturer's specifications



TUUCI frames are constructed from durable, marine-grade, weather-resistant materials including: fiberglass, armor-wall aluminum, Dura-TEAK composites, Aluma-TEAK aluminum and sustainable hardwood. All fasteners (nuts, bolts, pulleys, cam cleats, etc.) are marine-grade stainless steel and will withstand the most corrosive environments. Proper care and maintenance is important to extend the serviceable life of all TUUCI products. We recommend the following:

- Fresh water rinses once a week
- Weekly inspection of your TUUCI product is recommended. Loose screws should be tightened and any broken components replaced immediately to avoid further damage to your product.
- Prior to opening, ensure that the shade product is properly secured to an adequate shade anchor system.
- When opening a TUUCI parasol, separate each rib 10 inches from the center post, before raising the hub. Do not force hub if it does not rise easily.
- When closing the parasol, pull the fabric out from between the struts to avoid pinching or damaging the TUFF-SKIN canopy membrane.
- TUUCI recommends that all collapsible shade equipment be closed in wind conditions that exceed 25 MPH.
- Clean above-ground parasol bases regularly to maintain appearance. To clean, gently wash with soap and water using a nonabrasive cloth or pad.
- Check bolts in security stem regularly to ensure that they remain fully tightened.
- Do not roll Aluma-crete (Aluminum Shell, Concrete Filled) bases on their side as damage to shell or finish can occur.
- Do not use on stairways or over distances that exceed 50 feet, as damage to welded wheel tray may occur.
- Canopy should be cleaned regularly and can be cleaned without being removed from the frame. Hose down and clean with a mild soap and lukewarm water (no more than 100° F) using a soft bristle brush. Rinse thoroughly to remove soap. Allow fabric to air dry.
- Do not use a pressure washer to clean canopies.