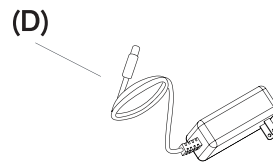
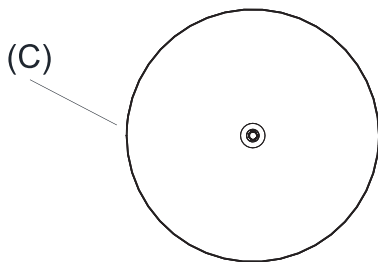
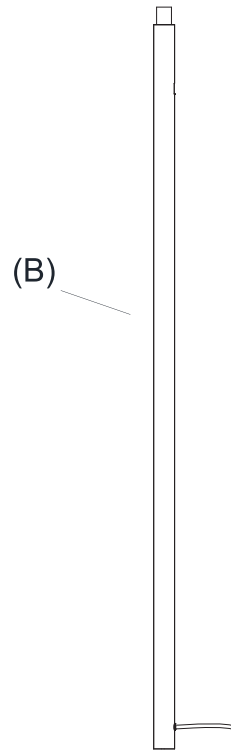
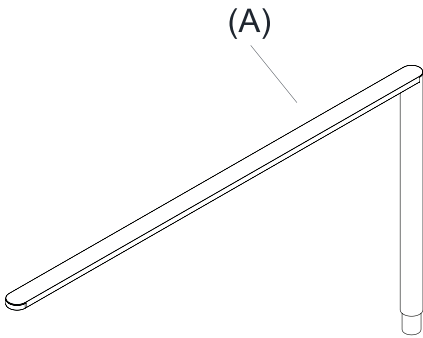


RH

STELO FLOOR LAMP

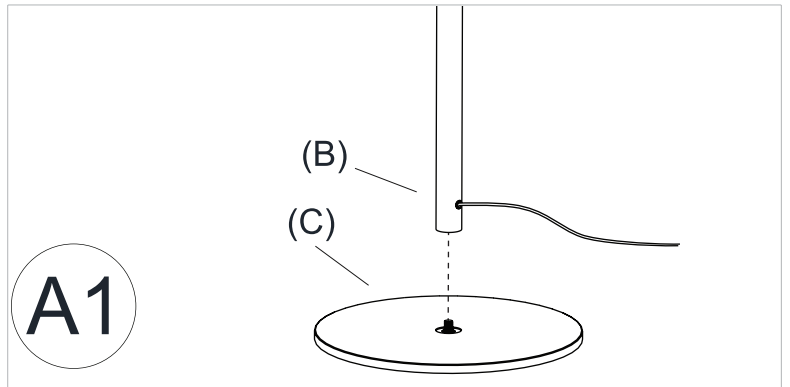
PARTS ENCLOSED

- (A) Lamp head (1)
- (B) Lamp body (1)
- (C) Base (1)
- (D) Transformer (1)

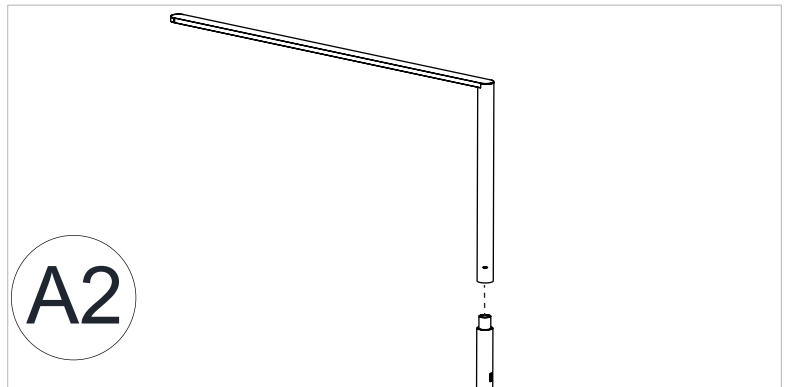


ASSEMBLY & INSTALLATION

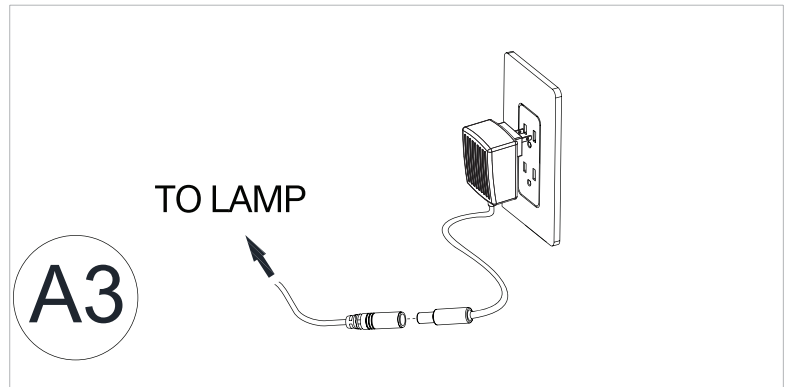
1. Screw the lamp body onto the base.



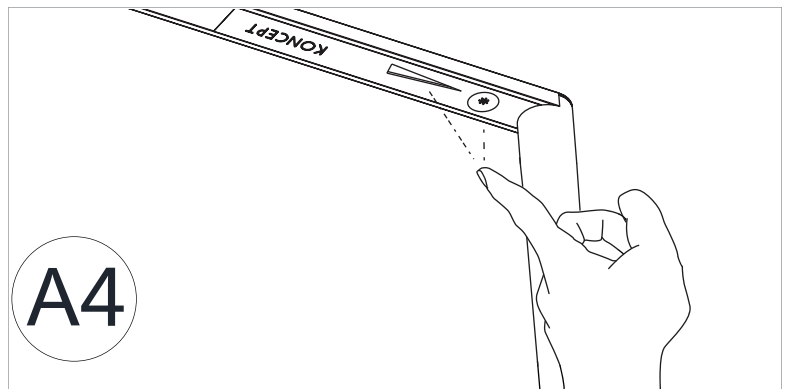
2. Push the lamp's head down onto the lamp's body.



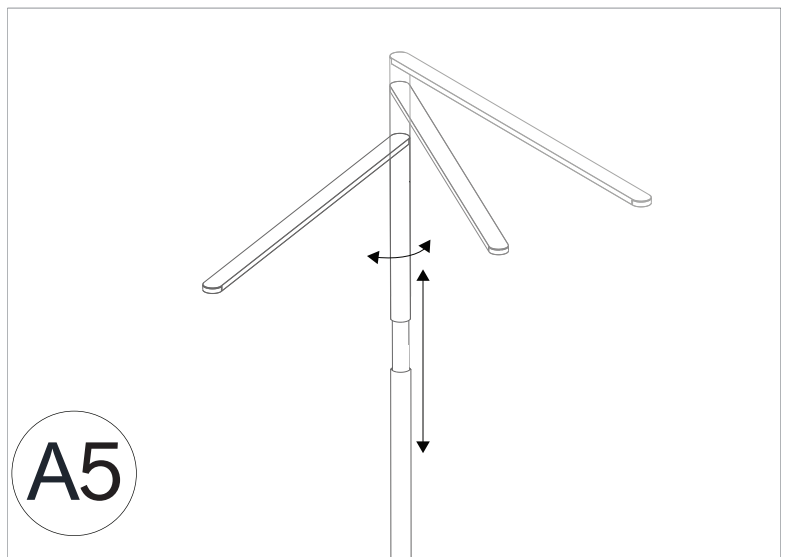
3. Plug the transformer into the wall. Insert the transformer's cord into the end of the lamp's cord.



4. Press and hold the circle to change color between warm and cool. Adjust brightness by placing your finger along the touchstrip.



5. Adjust the lamp's height "telescopically" from 44.5" to 52" or anywhere in between. The lamp's body can swivel 360°. Charge your phone, tablet or other USB-compatible device with the built-in USB port on the lamp's body.



IMPORTANT SAFETY INSTRUCTIONS

WARNINGS

All wires are connected. When unpacking, be careful not to pull wires, as a bad connection may result. Do not connect electricity until your fixture is fully assembled. Do not touch or look directly at the light when fixture is illuminated. Keep flammable materials away from the lamp.



WARNING: This product can expose you to lead, which is known to the State of California to cause cancer and birth defects or other reproductive harm. For more information, go to www.P65Warnings.ca.gov.

THIS PRODUCT IS NOT A TOY AND HAS NO PLAY VALUE.



WARNING: STRANGULATION HAZARD

Keep cord at least 3 feet away from cribs, bassinets, and toddler beds. Keep out of reach of children under 3 years of age.

CARE INSTRUCTIONS

Do not use polishes or cleaners on the fixture. Wipe clean with a soft, dry cloth.