

9" OPTIC PENDANT ASSEMBLY INSTRUCTIONS



****IT IS RECOMMENDED THAT A CERTIFIED LICENSED ELECTRICIAN INSTALL THIS FIXTURE****

Warning: If any special control devices are used with this fixture, follow the instructions carefully to assure full compliance with N.E.C. requirements. If there are any questions, contact a qualified electrical contractor.

ASSEMBLY INSTRUCTIONS

Carefully, remove all the parts from the box. Check the provided parts list to ensure that all required parts are available.

Assemble parts (hardware) in Diagram A.

1- Remove cross bar (B) from canopy (C). Attach Cross bar (B) to J-box (A) with cross-bar screws provided (M).

2- Determine desired height of fixture.

It maybe necessary to remove 1 or more of the extension tube(s) (D) to obtain proper height. After removing extension tube(s) (D) (if necessary), thread wires through hole in canopy (C).

3- Assemble extension tube(s) (D), canopy (C), and glass holder (H).

Join glass holder (H) to lower extension tube (D) by turning clockwise. Join upper extension tube (D) with canopy (C) by turning clockwise.

4- Thread wires through hole in cross bar (B) and make necessary connections.

****A licensed electrician is recommended****

*connect the copper ground wire from fixture to copper ground wire from J-box

*connect the rough side of the wire (white) from fixture with the white wire from the J-box.

*connect the smooth side of the wire (black) from fixture with the black wire from J-box.

5- Insert canopy mounting screws (E) into outer holes in cross bar (B) and forcefully tighten into mounting surface.

6- Align holes in canopy (C) with canopy mounting screws (E). Secure canopy (C) to ceiling using decorative screw covers (L).

Assemble glass reflector (Diagram B).

1- Sit glass dome (I) onto top of bottom glass (J).

2- Carefully, snap tulip clip holders (G) into place. Each tulip clip should be snapped into place at the notches located at equal intervals around the bottom glass (J). Slip the bottom of the tulip clip (G) under the edge on the bottom glass (J). Lay your hand flat against the clip and press against the glass to snap securely into place (see diagram C).

3- Insert neck of glass dome (I) into glass holder (H) and secure with screws (F). The screws should be tightened at equal intervals.

4- Insert the recommended 1-60W Max. light bulb into socket.

5- Put small glass panel (K) into the bottom of assembled reflector. It is necessary for the notches of small glass panel (K) to be located on each side of glass. The small glass panel (K) should be inserted vertically. Once the small glass panel (K) is inside the assembled glass reflector, the panel should be lowered into a horizontal position. Please review diagram B for illustrated instruction.

PART NO.	DIAGRAM	DESCRIPTION	QTY
A		J-BOX (YOUR CEILING)	1PC.
B		CROSS BAR	1 PC.
C		CANOPY	1PC.
D		EXTENSION TUBE 12"	3 PCS.
E		CANOPY MOUNTING SCREWS	2 PCS.
F		GLASS HOLDER SCREWS	3 PCS.
G		TULIP CLIP HOLDERS	4 PCS.
H		GLASS HOLDER	1PC.
I		GLASS DOME	1PC.
J		BOTTOM GLASS	1PC.
K		SMALL GLASS PANEL	1PC.
L		DECORATIVE SCREW COVER	2 PCS.
M		CROSS BAR SCREWS	2 PCS.

9" OPTIC PENDANT ASSEMBLY INSTRUCTIONS



DIAGRAM: A

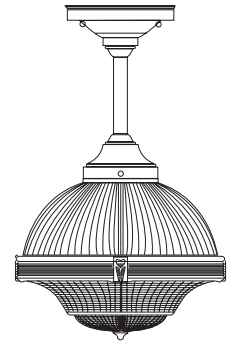
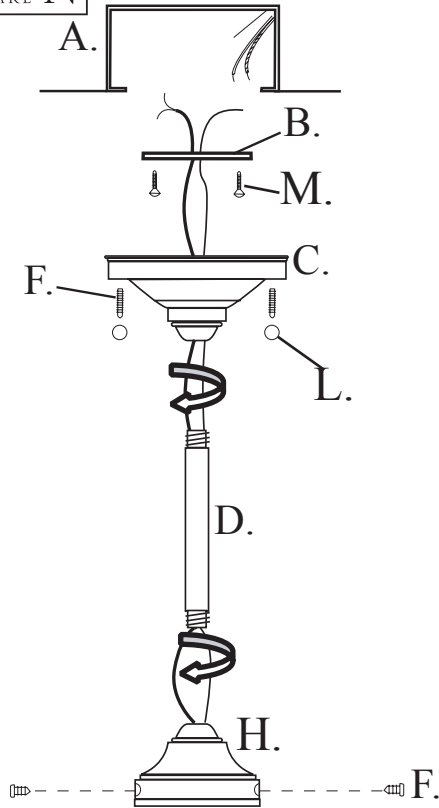
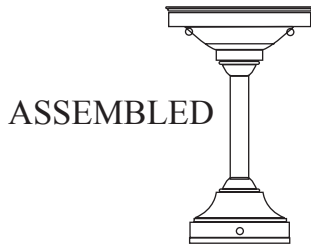


DIAGRAM: B

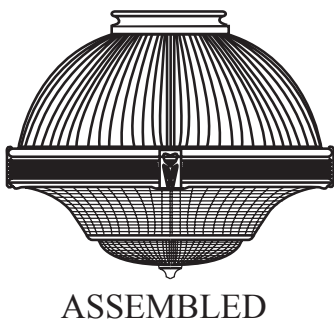
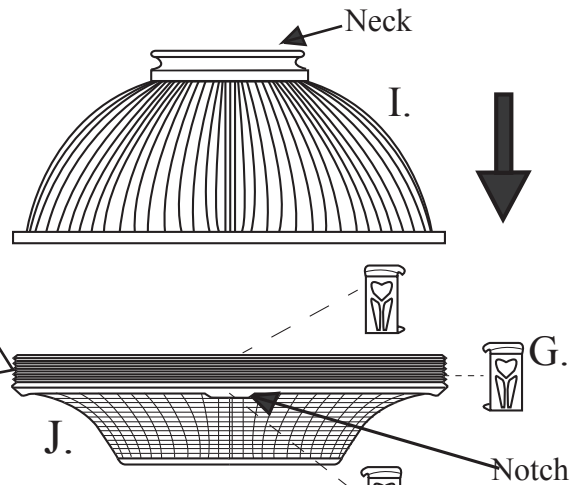


DIAGRAM: C



Note:
Notch must be located on the side when inserting small glass panel (L) inside assembled glass reflector

