

COSTERA UPHOLSTERY COLLECTION



All dimensions are given in centimeters; all weights are given in kg. See the attached "Dimensions Diagram" sheet for more information on the keys used in this chart.

	OVERALL WIDTH A	OVERALL DEPTH B	OVERALL HEIGHT C	FRAME HEIGHT D	SEAT HEIGHT E	ARM HEIGHT F	FOOT HEIGHT G	SEAT HEIGHT (FLOOR TO CUSHION SEAM) H	SEAT HEIGHT (FLOOR TO FRAME) I	INSIDE SEAT WIDTH J	INSIDE SEAT DEPTH W/ BACK CUSHION K	INSIDE SEAT DEPTH W/O BACK CUSHION L	INSIDE BACK HEIGHT W/ SEAT & BACK CUSHIONS M	INSIDE BACK HEIGHT W/ SEAT CUSHION N	NUMBER OF BACK CUSHIONS	NUMBER OF SEAT CUSHIONS	ACCENT PILLOWS	REGULAR ACCENT PILLOWS DIAMETER	LARGER ACCENT PILLOW DIAMETER	ARM HEIGHT W/ SEAT CUSHION O	ARM HEIGHT W/O SEAT CUSHION P	ARM WIDTH Q	SLEEPER DEPTH OVERALL R	SLEEPER DEPTH INSIDE S	
213CM CLASSIC SOFA	213	102	81	71	47	71	3	39	30	152	75	85	34	24	41	4	2	0	-	-	24	41	21	-	-
213CM LUXE SOFA	213	117	81	71	47	71	3	39	30	170	86	97	34	24	41	4	2	0	-	-	24	41	21	-	-
244CM CLASSIC SOFA	244	102	81	71	47	71	3	39	30	183	75	85	34	24	41	4	2	0	-	-	24	41	21	-	-
244CM LUXE SOFA	244	117	81	71	47	71	3	39	30	201	86	97	34	24	41	4	2	0	-	-	24	41	21	-	-
274CM CLASSIC SOFA	274	102	81	71	47	71	3	39	30	213	75	85	34	24	41	4	2	0	-	-	24	41	21	-	-
274CM LUXE SOFA	274	117	81	71	47	71	3	39	30	231	86	97	34	24	41	4	2	0	-	-	24	41	21	-	-
305CM CLASSIC SOFA	305	102	81	71	47	71	3	39	30	244	75	85	34	24	41	4	2	0	-	-	24	41	21	-	-
305CM LUXE SOFA	305	117	81	71	47	71	3	39	30	262	86	97	34	24	41	4	2	0	-	-	24	41	21	-	-
213CM CLASSIC ARMLESS SOFA	213	102	81	71	47	-	3	39	30	213	75	85	34	24	41	2	2	-	-	-	-	-	-	-	-
213CM LUXE ARMLESS SOFA	213	117	81	71	47	-	3	39	30	213	75	85	34	24	41	2	2	-	-	-	-	-	-	-	-
244CM CLASSIC ARMLESS SOFA	244	102	81	71	47	-	3	39	30	244	75	85	34	24	41	2	2	-	-	-	-	-	-	-	-
244CM LUXE ARMLESS SOFA	244	117	81	71	47	-	3	39	30	244	75	85	34	24	41	2	2	-	-	-	-	-	-	-	-
274CM CLASSIC ARMLESS SOFA	274	102	81	71	47	-	3	39	30	274	75	85	34	24	41	2	2	-	-	-	-	-	-	-	-
274CM LUXE ARMLESS SOFA	274	117	81	71	47	-	3	39	30	274	75	85	34	24	41	2	2	-	-	-	-	-	-	-	-

COSTERA UPHOLSTERY COLLECTION



All dimensions are given in centimeters; all weights are given in kg. See the attached "Dimensions Diagram" sheet for more information on the keys used in this chart.

	OVERALL WIDTH A	OVERALL DEPTH B	OVERALL HEIGHT C	FRAME HEIGHT D	SEAT HEIGHT E	ARM HEIGHT F	FOOT HEIGHT G	SEAT HEIGHT (FLOOR TO CUSHION SEAM) H	SEAT HEIGHT (FLOOR TO FRAME) I	INSIDE SEAT WIDTH J	INSIDE SEAT DEPTH W/ BACK CUSHION K	INSIDE SEAT DEPTH W/O BACK CUSHION L	INSIDE BACK HEIGHT W/ SEAT & BACK CUSHIONS M	INSIDE BACK HEIGHT W/ SEAT CUSHION N	NUMBER OF BACK CUSHIONS	NUMBER OF SEAT CUSHIONS	ACCENT PILLOWS	REGULAR ACCENT PILLOWS DIAMETER	LARGER ACCENT PILLOW DIAMETER	ARM HEIGHT W/ SEAT CUSHION O	ARM HEIGHT W/O SEAT CUSHION P	ARM WIDTH Q	SLEEPER DEPTH OVERALL R	SLEEPER DEPTH INSIDE S	
213CM CLASSIC LEFT-ARM SOFA	213	102	81	71	47	71	3	39	30	192	75	85	34	24	41	3	2	-	-	-	24	41	21	-	-
213CM LUXE LEFT-ARM SOFA	213	117	81	71	47	71	3	39	30	192	75	85	34	24	41	3	2	-	-	-	24	41	21	-	-
244CM CLASSIC LEFT-ARM SOFA	244	102	81	71	47	71	3	39	30	223	75	85	34	24	41	3	2	-	-	-	24	41	21	-	-
244CM LUXE LEFT-ARM SOFA	244	117	81	71	47	71	3	39	30	223	75	85	34	24	41	3	2	-	-	-	24	41	21	-	-
274CM CLASSIC LEFT-ARM SOFA	274	102	81	71	47	71	3	39	30	253	75	85	34	24	41	3	2	-	-	-	24	41	21	-	-
274CM LUXE LEFT-ARM SOFA	274	117	81	71	47	71	3	39	30	253	75	85	34	24	41	3	2	-	-	-	24	41	21	-	-
213CM CLASSIC RIGHT-ARM SOFA	213	102	81	71	47	71	3	39	30	192	75	85	34	24	41	3	2	-	-	-	24	41	21	-	-
213CM LUXE RIGHT-ARM SOFA	213	117	81	71	47	71	3	39	30	192	75	85	34	24	41	3	2	-	-	-	24	41	21	-	-
244CM CLASSIC RIGHT-ARM SOFA	244	102	81	71	47	71	3	39	30	223	75	85	34	24	41	3	2	-	-	-	24	41	21	-	-
244CM LUXE RIGHT-ARM SOFA	244	117	81	71	47	71	3	39	30	223	75	85	34	24	41	3	2	-	-	-	24	41	21	-	-
274CM CLASSIC RIGHT-ARM SOFA	274	102	81	71	47	71	3	39	30	253	75	85	34	24	41	3	2	-	-	-	24	41	21	-	-
274CM LUXE RIGHT-ARM SOFA	274	117	81	71	47	71	3	39	30	253	75	85	34	24	41	3	2	-	-	-	24	41	21	-	-
244CM CLASSIC LEFT-ARM RETURN SOFA	244	102	81	71	47	71	3	39	30	223	75	85	34	24	41	4	2	-	-	-	24	41	21	-	-
244CM LUXE LEFT-ARM RETURN SOFA	244	117	81	71	47	71	3	39	30	253	75	85	34	24	41	4	2	-	-	-	24	41	21	-	-

COSTERA UPHOLSTERY COLLECTION



All dimensions are given in centimeters; all weights are given in kg. See the attached "Dimensions Diagram" sheet for more information on the keys used in this chart.

	OVERALL WIDTH [A]	OVERALL DEPTH [B]	OVERALL HEIGHT [C]	FRAME HEIGHT [D]	SEAT HEIGHT [E]	ARM HEIGHT [F]	FOOT HEIGHT [G]	SEAT HEIGHT (FLOOR TO CUSHION SEAM) [H]	SEAT HEIGHT (FLOOR TO FRAME) [I]	INSIDE SEAT WIDTH [J]	INSIDE SEAT DEPTH W/ BACK CUSHION [K]	INSIDE SEAT DEPTH W/O BACK CUSHION [L]	INSIDE BACK HEIGHT W/ SEAT & BACK CUSHIONS [M]	INSIDE BACK HEIGHT W/ SEAT CUSHION [N]	NUMBER OF BACK CUSHIONS	NUMBER OF SEAT CUSHIONS	ACCENT PILLOWS	REGULAR ACCENT PILLOWS DIAMETER	LARGER ACCENT PILLOW DIAMETER	ARM HEIGHT W/ SEAT CUSHION [O]	ARM HEIGHT W/O SEAT CUSHION [P]	ARM WIDTH [Q]	SLEEPER DEPTH OVERALL [R]	SLEEPER DEPTH INSIDE [S]	
274CM CLASSIC LEFT-ARM RETURN SOFA	274	102	81	71	47	71	3	39	30	253	75	85	34	24	41	4	2	-	-	-	24	41	21	-	-
274CM LUXE LEFT-ARM RETURN SOFA	274	117	81	71	47	71	3	39	30	253	75	85	34	24	41	4	2	-	-	-	24	41	21	-	-
305CM CLASSIC LEFT-ARM RETURN SOFA	305	102	81	71	47	71	3	39	30	284	75	85	34	24	41	4	2	-	-	-	24	41	21	-	-
305CM LUXE LEFT-ARM RETURN SOFA	305	117	81	71	47	71	3	39	30	284	75	85	34	24	41	4	2	-	-	-	24	41	21	-	-
244CM CLASSIC RIGHT-ARM RETURN SOFA	244	102	81	71	47	71	3	39	30	223	75	85	34	24	41	4	2	-	-	-	24	41	21	-	-
244CM LUXE RIGHT-ARM RETURN SOFA	244	117	81	71	47	71	3	39	30	253	75	85	34	24	41	4	2	-	-	-	24	41	21	-	-
274CM CLASSIC RIGHT-ARM RETURN SOFA	274	102	81	71	47	71	3	39	30	253	75	85	34	24	41	4	2	-	-	-	24	41	21	-	-
274CM LUXE RIGHT-ARM RETURN SOFA	274	117	81	71	47	71	3	39	30	253	75	85	34	24	41	4	2	-	-	-	24	41	21	-	-
305CM CLASSIC RIGHT-ARM RETURN SOFA	305	102	81	71	47	71	3	39	30	284	75	85	34	24	41	4	2	-	-	-	24	41	21	-	-
305CM LUXE RIGHT-ARM RETURN SOFA	305	117	81	71	47	71	3	39	30	284	75	85	34	24	41	4	2	-	-	-	24	41	21	-	-
CLASSIC LEFT-ARM CHAISE	102	157	81	71	47	71	3	39	30	81	75	85	34	24	41	2	1	-	-	-	24	41	21	-	-
LUXE LEFT-ARM CHAISE	117	178	81	71	47	71	3	39	30	96	75	85	34	24	41	2	1	-	-	-	24	41	21	-	-
CLASSIC RIGHT-ARM CHAISE	102	157	81	71	47	71	3	39	30	81	75	85	34	24	41	2	1	-	-	-	24	41	21	-	-
LUXE RIGHT-ARM CHAISE	117	178	81	71	47	71	3	39	30	96	75	85	34	24	41	2	1	-	-	-	24	41	21	-	-

COSTERA UPHOLSTERY COLLECTION

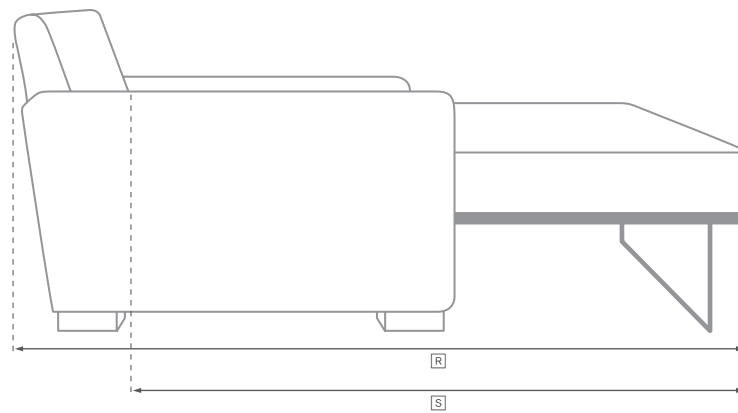
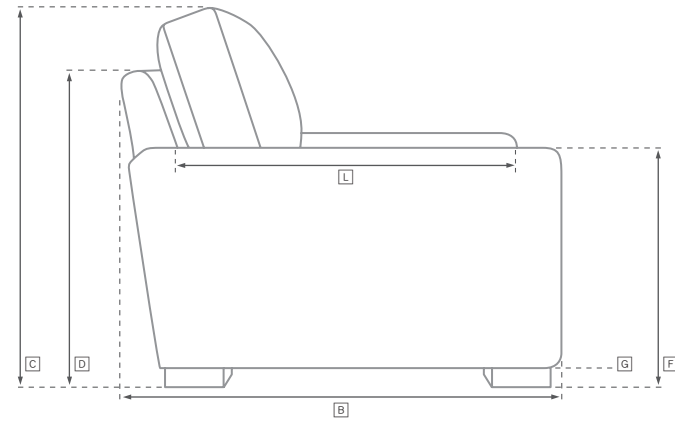
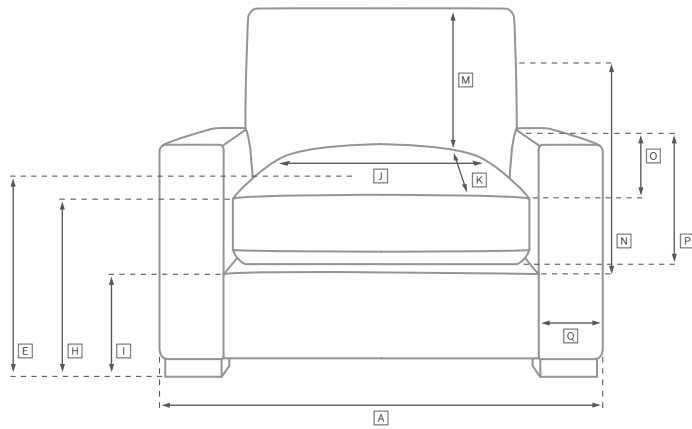


All dimensions are given in centimeters; all weights are given in kg. See the attached "Dimensions Diagram" sheet for more information on the keys used in this chart.

	OVERALL WIDTH [A]	OVERALL DEPTH [B]	OVERALL HEIGHT [C]	FRAME HEIGHT [D]	SEAT HEIGHT [E]	ARM HEIGHT [F]	FOOT HEIGHT [G]	SEAT HEIGHT (FLOOR TO CUSHION SEAM) [H]	SEAT HEIGHT (FLOOR TO FRAME) [I]	INSIDE SEAT WIDTH [J]	INSIDE SEAT DEPTH W/ BACK CUSHION [K]	INSIDE SEAT DEPTH W/O BACK CUSHION [L]	INSIDE BACK HEIGHT W/ SEAT & BACK CUSHIONS [M]	INSIDE BACK HEIGHT W/ SEAT CUSHION [N]	NUMBER OF BACK CUSHIONS	NUMBER OF SEAT CUSHIONS	ACCENT PILLOWS	REGULAR ACCENT PILLOWS DIAMETER	LARGER ACCENT PILLOW DIAMETER	ARM HEIGHT W/ SEAT CUSHION [O]	ARM HEIGHT W/O SEAT CUSHION [P]	ARM WIDTH [Q]	SLEEPER DEPTH OVERALL [R]	SLEEPER DEPTH INSIDE [S]	
LUXE CHAIR	135	117	81	71	47	71	3	39	30	90	86	97	34	24	41	3	1	0	-	-	24	41	21	-	-
MODULAR CLASSIC ARMLESS CHAIR	102	102	81	71	47	-	3	39	30	102	75	85	34	24	41	1	1	0	-	-	-	-	-	-	-
MODULAR LUXE ARMLESS CHAIR	117	117	81	71	47	-	3	39	30	117	86	97	34	24	41	1	1	0	-	-	-	-	-	-	-
MODULAR CLASSIC CORNER CHAIR	102	102	81	71	47	-	3	39	30	75	75	85	34	24	41	2	1	0	-	-	-	-	-	-	-
MODULAR LUXE CORNER CHAIR	117	117	81	71	47	-	3	39	30	86	86	97	34	24	41	2	1	0	-	-	-	-	-	-	-
MODULAR CLASSIC END-OF-SECTIONAL OTTOMAN	102	102	47	47	47	-	3	39	30	102	-	-	-	-	-	0	1	0	-	-	-	-	-	-	-
MODULAR LUXE END-OF-SECTIONAL OTTOMAN	117	117	47	47	47	-	3	39	30	117	-	-	-	-	-	0	1	0	-	-	-	-	-	-	-
MODULAR DAYBED	305	152	81	71	47	71	3	39	30	244	86	97	34	24	41	4	2	0	-	-	24	41	21	-	-

UPHOLSTERY DIMENSIONS DIAGRAM

See the "Dimensions Sheet" for the measurements that correspond with the letters below.

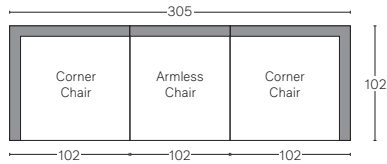


COSTERA MODULAR SECTIONALS - CLASSIC DEPTH 102cm

All dimensions are given in centimeters.

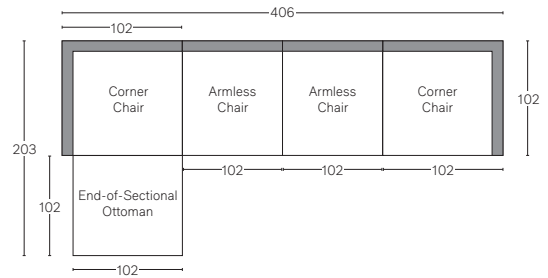
RH

MODULAR SOFA



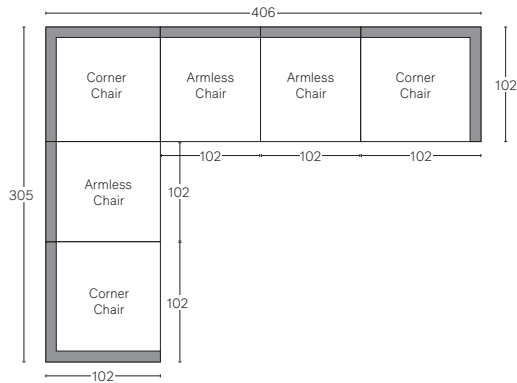
MODULAR SOFA CHAISE

Available in left- and right-arm configurations.

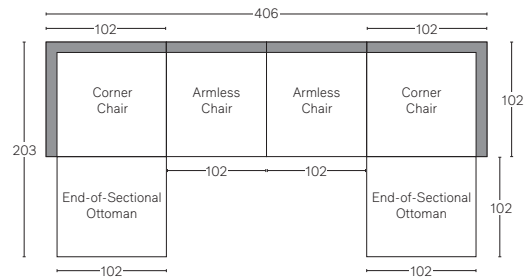


MODULAR L-SECTIONAL

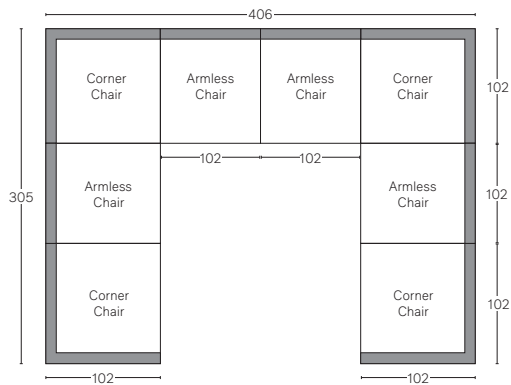
Available in left- and right-arm configurations.



MODULAR U-CHAISE SECTIONAL

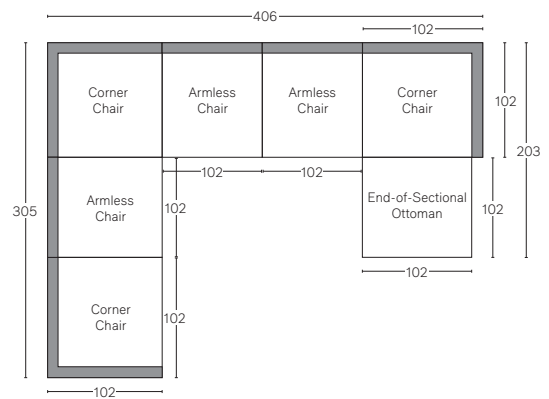


MODULAR U-SOFA SECTIONAL



MODULAR U-SOFA CHAISE SECTIONAL

Available in left- and right-arm configurations.

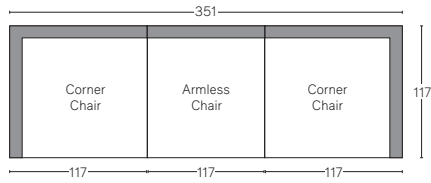


COSTERA MODULAR SECTIONALS - LUXE DEPTH 117cm

All dimensions are given in centimeters.

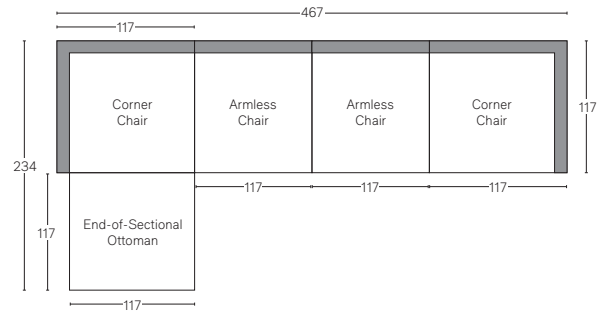
RH

MODULAR SOFA



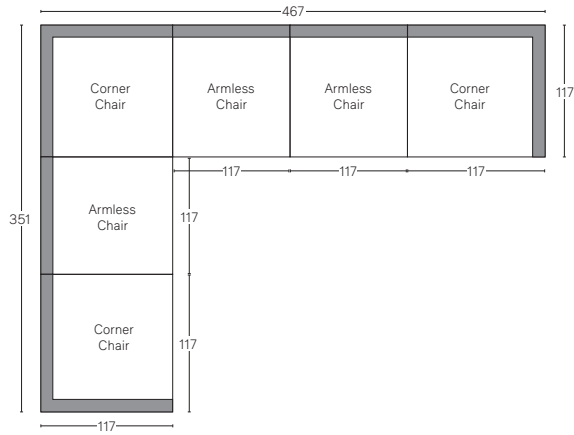
MODULAR SOFA CHAISE

Available in left- and right-arm configurations.

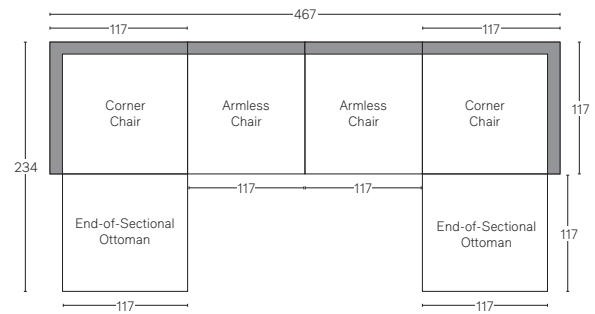


MODULAR L-SECTIONAL

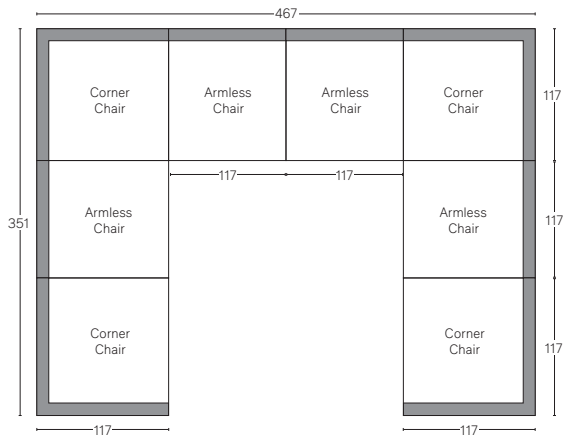
Available in left- and right-arm configurations.



MODULAR U-CHAISE SECTIONAL



MODULAR U-SOFA SECTIONAL



MODULAR U-SOFA CHAISE SECTIONAL

Available in left- and right-arm configurations.

