

# PROVENCE SEATING COLLECTION



All dimensions are given in cm; all weights are given in kg. See the attached "Dimensions Diagram" sheet for more information on the keys used in this chart.

	OVERALL WIDTH A	OVERALL DEPTH B	OVERALL HEIGHT W/ CUSHION C	FRAME HEIGHT D	ARM HEIGHT E	ARM WIDTH F	FOOT HEIGHT G	SEAT HEIGHT W/ CUSHION H	SEAT HEIGHT (FLOOR TO FRAME) I	INSIDE SEAT WIDTH J	INSIDE SEAT DEPTH K	# OF BACK CUSHIONS	# OF SEAT CUSHIONS	WEIGHT
137CM CLASSIC SOFA	137	92	70	69	54	13	5	38	24	112	57	2	1	-
193CM CLASSIC SOFA	193	92	70	69	54	13	5	38	24	168	57	2	1	-
249CM CLASSIC SOFA	249	92	70	69	54	13	5	38	24	224	57	2	1	-
157CM LUXE SOFA	157	105	74	69	54	15	5	38	24	127	65	2	1	-
183CM LUXE SOFA	183	105	74	69	54	15	5	38	24	152	65	2	1	-
221CM LUXE SOFA	221	105	74	69	54	15	5	38	24	191	65	2	1	-
284CM LUXE SOFA	284	105	74	69	54	15	5	38	24	254	65	2	1	-
305CM LUXE SOFA	305	105	74	69	54	15	5	38	24	274	65	2	1	-
335CM LUXE SOFA	335	105	74	69	54	15	5	38	24	305	65	2	1	-
366CM LUXE SOFA	366	105	74	69	54	15	5	38	24	335	65	2	1	-
CLASSIC LOUNGE CHAIR	81	92	70	69	54	13	5	38	24	56	57	1	1	-
LUXE LOUNGE CHAIR	94	105	74	69	54	15	5	38	24	64	65	1	1	-
CLASSIC SWIVEL LOUNGE CHAIR	81	92	70	69	54	13	-	38	24	56	57	1	1	-
LUXE SWIVEL LOUNGE CHAIR	94	105	74	69	54	15	-	38	24	64	65	1	1	-

# PROVENCE SEATING COLLECTION



All dimensions are given in cm; all weights are given in kg. See the attached "Dimensions Diagram" sheet for more information on the keys used in this chart.

	OVERALL WIDTH A	OVERALL DEPTH B	OVERALL HEIGHT W/ CUSHION C	FRAME HEIGHT D	ARM HEIGHT E	ARM WIDTH F	FOOT HEIGHT G	SEAT HEIGHT W/ CUSHION H	SEAT HEIGHT (FLOOR TO FRAME) I	INSIDE SEAT WIDTH J	INSIDE SEAT DEPTH K	# OF BACK CUSHIONS	# OF SEAT CUSHIONS	WEIGHT
CLASSIC OTTOMAN	81	56	38	24	-	-	5	38	24	81	56	-	1	-
LUXE OTTOMAN	94	64	38	24	-	-	5	38	24	94	64	-	1	-
CLASSIC COFFEE TABLE OTTOMAN	113	79	38	24	-	-	5	38	24	113	79	-	1	-
LUXE COFFEE TABLE OTTOMAN	127	94	38	24	-	-	5	38	24	127	94	-	1	-
CLASSIC CHAISE	71	206	89	81	-	-	5	32	24	55	116	1	1	-
LUXE CHAISE	93	226	90	86	-	-	5	32	24	64	127	1	1	-
DOUBLE CHAISE	163	226	90	86	-	-	5	32	24	132	127	2	1	-
CANOPY DOUBLE CHAISE	173	226	198	198	-	-	5	32	24	64	197	2	2	-
DAYBED	183	192	74	69	54	15	5	38	24	152	165	2	1	-
CLASSIC ARMLESS CHAIR	56	92	70	69	-	-	5	38	24	56	57	1	1	-
LUXE ARMLESS CHAIR	64	105	74	69	-	-	5	38	24	64	65	1	1	-
CLASSIC TWO-SEAT ARMLESS SOFA	112	92	70	69	-	-	5	38	24	112	57	2	1	-
LUXE TWO-SEAT ARMLESS SOFA	127	105	74	69	-	-	5	38	24	127	65	2	1	-
CLASSIC THREE-SEAT ARMLESS SOFA	168	92	70	69	-	-	5	38	24	168	57	3	1	-

# PROVENCE SEATING COLLECTION



All dimensions are given in cm; all weights are given in kg. See the attached "Dimensions Diagram" sheet for more information on the keys used in this chart.

	OVERALL WIDTH A	OVERALL DEPTH B	OVERALL HEIGHT W/ CUSHION C	FRAME HEIGHT D	ARM HEIGHT E	ARM WIDTH F	FOOT HEIGHT G	SEAT HEIGHT W/ CUSHION H	SEAT HEIGHT (FLOOR TO FRAME) I	INSIDE SEAT WIDTH J	INSIDE SEAT DEPTH K	# OF BACK CUSHIONS	# OF SEAT CUSHIONS	WEIGHT
LUXE THREE-SEAT ARMLESS SOFA	193	105	74	69	-	-	5	38	24	193	65	3	1	-
CLASSIC TWO-SEAT LEFT-ARM SOFA	124	92	70	69	54	13	5	38	24	112	57	2	1	-
LUXE TWO-SEAT LEFT-ARM SOFA	142	105	74	69	54	15	5	38	24	127	65	2	1	-
CLASSIC TWO-SEAT RIGHT-ARM SOFA	124	92	70	69	54	13	5	38	24	112	57	2	1	-
LUXE TWO-SEAT RIGHT-ARM SOFA	142	105	74	69	54	15	5	38	24	127	65	2	1	-
CLASSIC THREE-SEAT LEFT-ARM SOFA	180	92	70	69	54	13	5	38	24	168	57	3	1	-
LUXE THREE-SEAT LEFT-ARM SOFA	208	105	74	69	54	15	5	38	24	193	65	3	1	-
CLASSIC THREE-SEAT RIGHT-ARM SOFA	180	92	70	69	54	13	5	38	24	168	57	3	1	-
LUXE THREE-SEAT RIGHT-ARM SOFA	208	105	74	69	54	15	5	38	24	193	65	3	1	-
CLASSIC THREE-SEAT LEFT-ARM RETURN SOFA	218	92	70	69	54	13	5	38	24	183	57	3	1	-
LUXE THREE-SEAT LEFT-ARM RETURN SOFA	249	105	74	69	54	15	5	38	24	206	65	3	1	-
CLASSIC THREE-SEAT RIGHT-ARM RETURN SOFA	218	92	70	69	54	13	5	38	24	183	57	3	1	-
LUXE THREE-SEAT RIGHT-ARM RETURN SOFA	249	105	74	69	54	15	5	38	24	206	65	3	1	-
CLASSIC FOUR-SEAT LEFT-ARM RETURN SOFA	274	92	70	69	54	13	5	38	24	239	57	3	1	-

# PROVENCE SEATING COLLECTION



All dimensions are given in cm; all weights are given in kg. See the attached "Dimensions Diagram" sheet for more information on the keys used in this chart.

	OVERALL WIDTH A	OVERALL DEPTH B	OVERALL HEIGHT W/ CUSHION C	FRAME HEIGHT D	ARM HEIGHT E	ARM WIDTH F	FOOT HEIGHT G	SEAT HEIGHT W/ CUSHION H	SEAT HEIGHT (FLOOR TO FRAME) I	INSIDE SEAT WIDTH J	INSIDE SEAT DEPTH K	# OF BACK CUSHIONS	# OF SEAT CUSHIONS	WEIGHT
LUXE FOUR-SEAT LEFT-ARM RETURN SOFA	312	105	74	69	54	15	5	38	24	269	65	3	1	-
CLASSIC FOUR-SEAT RIGHT-ARM RETURN SOFA	274	92	70	69	54	13	5	38	24	239	57	3	1	-
LUXE FOUR-SEAT RIGHT-ARM RETURN SOFA	312	105	74	69	54	15	5	38	24	269	65	3	1	-
CLASSIC CORNER CHAIR	92	92	70	69	-	-	5	38	24	57	57	2	1	-
LUXE CORNER CHAIR	105	105	74	69	-	-	5	38	24	65	65	2	1	-
CLASSIC LEFT-ARM CHAISE	69	165	70	69	54	13	5	38	24	69	141	1	1	-
LUXE LEFT-ARM CHAISE	79	182	74	69	54	15	5	38	24	79	157	1	1	-
CLASSIC RIGHT-ARM CHAISE	69	165	70	69	54	13	5	38	24	69	141	1	1	-
LUXE RIGHT-ARM CHAISE	79	182	74	69	54	15	5	38	24	79	157	1	1	-
BUCKET SIDE CHAIR	52	69	84	84	-	-	5	51	41	52	49	-	1	-
BUCKET ARMCHAIR	66	70	84	84	66	9	5	47	42	53	50	-	1	-
HIGH BACK SIDE CHAIR	48	60	103	103	-	-	15	51	47	48	43	-	1	-
HIGH BACK ARMCHAIR	64	60	103	103	66	9	15	51	47	48	43	-	1	-
DINING CUBE	43	43	47	43	-	-	4	47	43	43	43	-	1	-

# PROVENCE SEATING COLLECTION



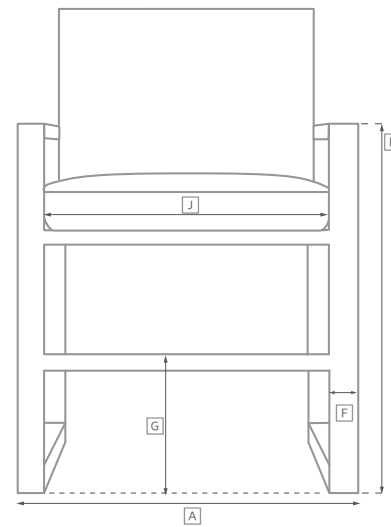
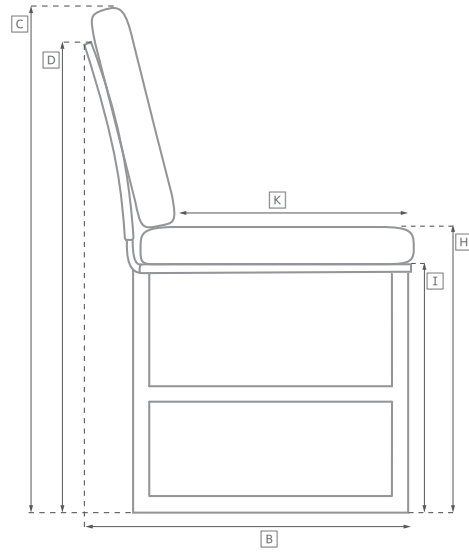
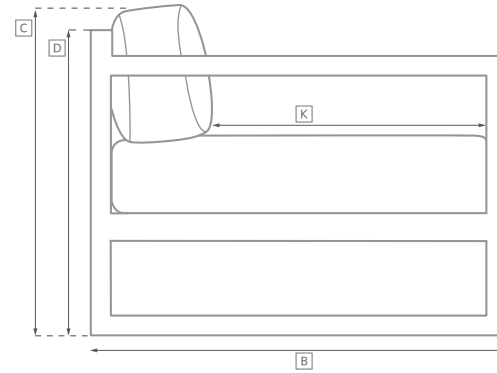
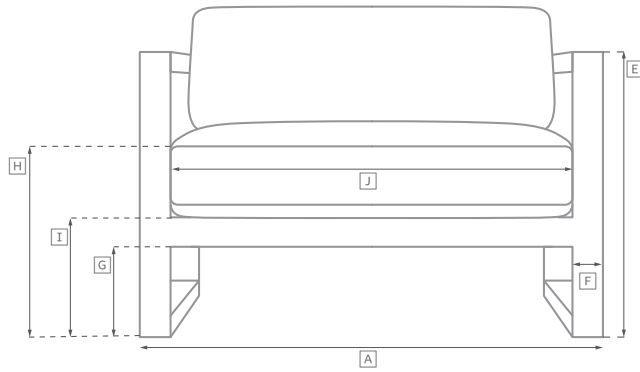
All dimensions are given in cm; all weights are given in kg. See the attached "Dimensions Diagram" sheet for more information on the keys used in this chart.

	OVERALL WIDTH A	OVERALL DEPTH B	OVERALL HEIGHT W/ CUSHION C	FRAME HEIGHT D	ARM HEIGHT E	ARM WIDTH F	FOOT HEIGHT G	SEAT HEIGHT W/ CUSHION H	SEAT HEIGHT (FLOOR TO FRAME) I	INSIDE SEAT WIDTH J	INSIDE SEAT DEPTH K	# OF BACK CUSHIONS	# OF SEAT CUSHIONS	WEIGHT
BACKLESS BARSTOOL	47	47	76	76	-	-	8	76	76	47	47	-	1	-
BACKLESS COUNTER STOOL	48	48	64	64	-	-	8	64	64	48	48	-	-	-
HIGH BACK BARSTOOL	48	58	124	124	-	-	8	80	76	48	44	-	1	-
HIGH BACK COUNTER STOOL	48	58	119	119	-	-	8	69	65	48	44	-	1	-

# OUTDOOR SEATING DIMENSIONS DIAGRAM

See the "Dimensions Sheet" for the measurements that correspond with the letters below.

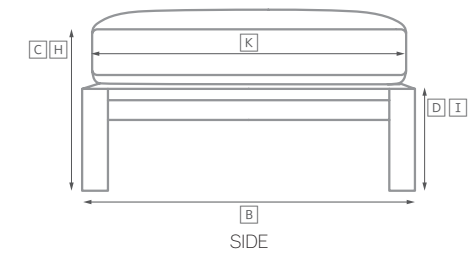
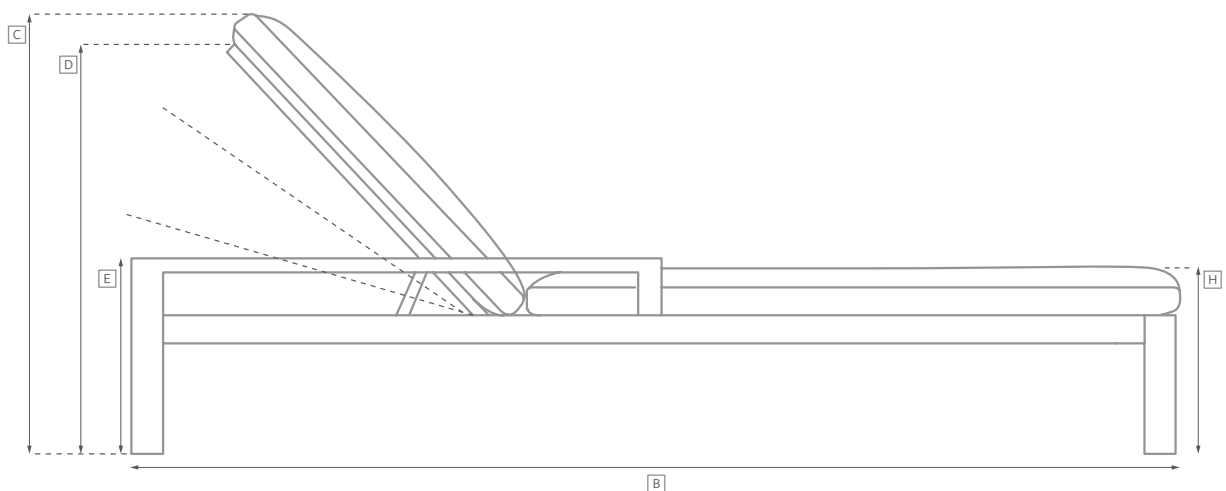
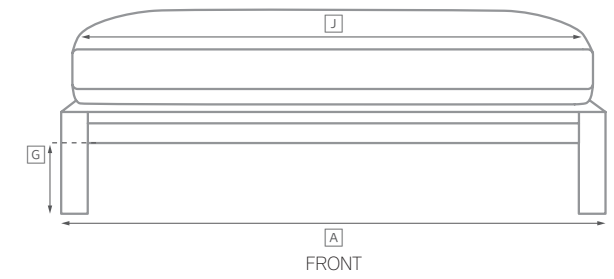
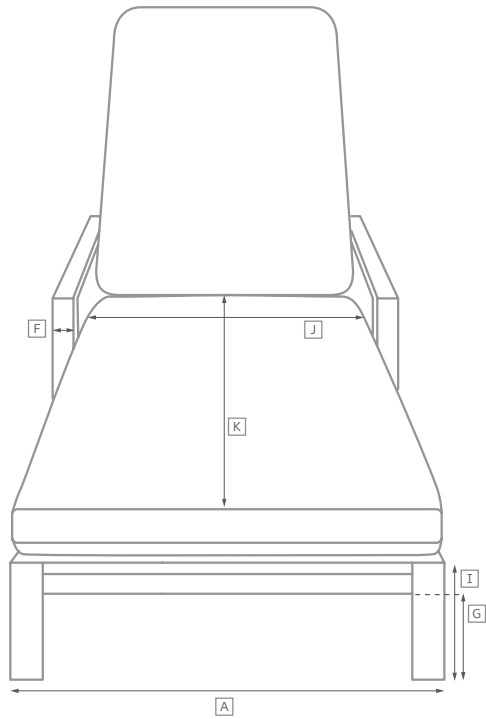
RH



# OUTDOOR SEATING DIMENSIONS DIAGRAM

See the "Dimensions Sheet" for the measurements that correspond with the letters below.

RH



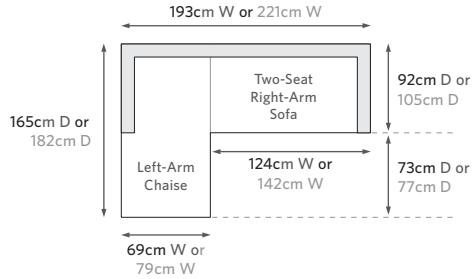
When configuring a sectional, please choose either Luxe or Classic depth for *all* components.

**SOFA CHAISE SECTIONAL**

Available in left- and right-arm configurations.

193cm Classic Sofa Chaise: 193cm W x 165cm D x 69cm H Overall

221cm Luxe Sofa Chaise: 221cm W x 182cm D x 69cm H Overall

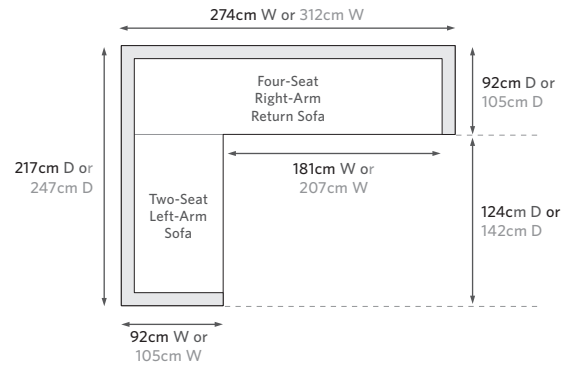


**L-SECTIONAL**

Available in left- and right-arm configurations.

274cm Classic L-Sectional: 274cm W x 217cm D x 69cm H Overall

312cm Luxe L-Sectional: 312cm W x 247cm D x 69cm H Overall

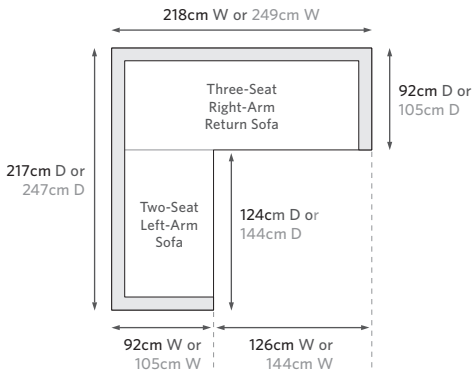


**CORNER SECTIONAL**

Available in left- and right-arm configurations.

218cm Classic Corner Sectional: 218cm W x 217cm D x 69cm H Overall

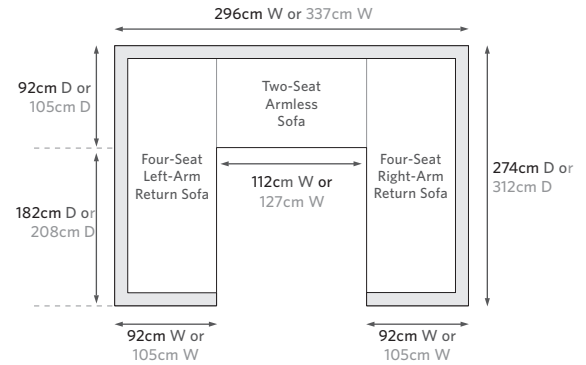
249cm Luxe Corner Sectional: 249cm W x 247cm D x 69cm H Overall



**U-SOFA SECTIONAL**

296cm Classic U-Sofa Sectional: 296cm W x 274cm D x 69cm H Overall

337cm Luxe U-Sofa Sectional: 337cm W x 312cm D x 69cm H Overall



**U-CHAISE SECTIONAL**

249cm Classic U-Chaise Sectional: 249cm W x 165cm D x 69cm H Overall

284cm Luxe U-Chaise Sectional: 284cm W x 182cm D x 69cm H Overall

