

ITALIA TAPER ARM OAK BASE COLLECTION

All dimensions are given in cm; all weights are given in kg. See the attached "Dimensions Diagram" sheet for more information on the keys used in this chart.



| | A | B | C | D | E | F | G | H | I | J | K | L | M | N | | | | | | | | | | | |
|------------------------------|---------------|---------------|----------------|--------------|-------------|------------|-------------|-------------------------------------|------------------------------|-------------------|-----------------------------------|------------------------------------|--|------------------------------------|---|--------------------|--------------------|----------------|---------------------------------|-------------------------------|----------------------------|-----------------------------|-----------|-----------------------|----------------------|
| | OVERALL WIDTH | OVERALL DEPTH | OVERALL HEIGHT | FRAME HEIGHT | SEAT HEIGHT | ARM HEIGHT | FOOT HEIGHT | SEAT HEIGHT (FLOOR TO CUSHION SEAM) | SEAT HEIGHT (FLOOR TO FRAME) | INSIDE SEAT WIDTH | INSIDE SEAT DEPTH W/ BACK CUSHION | INSIDE SEAT DEPTH W/O BACK CUSHION | INSIDE BACK HEIGHT W/ SEAT & BACK CUSHIONS | INSIDE BACK HEIGHT W/ SEAT CUSHION | INSIDE BACK HEIGHT W/O SEAT OR BACK CUSHION | # OF BACK CUSHIONS | # OF SEAT CUSHIONS | ACCENT PILLOWS | REGULAR ACCENT PILLOWS DIAMETER | LARGER ACCENT PILLOW DIAMETER | ARM HEIGHT W/ SEAT CUSHION | ARM HEIGHT W/O SEAT CUSHION | ARM WIDTH | SLEEPER DEPTH OVERALL | SLEEPER DEPTH INSIDE |
| 183CM CLASSIC SOFA | 183 | 104 | 83 | 69 | 49 | 69 | 19 | 46 | 30 | 137 | 48 | 81 | 34 | 20 | 38 | 2 | 2 | 2 | - | - | 20 | 38 | 23 | - | - |
| 213CM CLASSIC SOFA | 213 | 104 | 83 | 69 | 49 | 69 | 19 | 46 | 30 | 168 | 48 | 81 | 34 | 20 | 38 | 2 | 2 | 2 | - | - | 20 | 38 | 23 | - | - |
| 244CM CLASSIC SOFA | 244 | 104 | 83 | 69 | 49 | 69 | 19 | 46 | 30 | 198 | 48 | 81 | 34 | 20 | 38 | 2 | 2 | 2 | - | - | 20 | 38 | 23 | - | - |
| 274CM CLASSIC SOFA | 274 | 104 | 83 | 69 | 49 | 69 | 19 | 46 | 30 | 229 | 48 | 81 | 34 | 20 | 38 | 2 | 2 | 2 | - | - | 20 | 38 | 23 | - | - |
| 305CM CLASSIC SOFA | 305 | 104 | 83 | 69 | 49 | 69 | 19 | 46 | 30 | 259 | 48 | 81 | 34 | 20 | 38 | 2 | 2 | 2 | - | - | 20 | 38 | 23 | - | - |
| CLASSIC CHAIR | 117 | 104 | 83 | 69 | 49 | 69 | 19 | 46 | 30 | 71 | 48 | 81 | 34 | 20 | 38 | 1 | 1 | 1 | - | - | 20 | 38 | 23 | - | - |
| 183CM CLASSIC ARMLESS SOFA | 183 | 104 | 83 | 69 | 49 | - | 19 | 46 | 30 | 183 | 64 | 81 | 34 | 20 | 38 | 2 | 1 | 0 | - | - | - | - | - | - | - |
| 213CM CLASSIC ARMLESS SOFA | 213 | 104 | 83 | 69 | 49 | - | 19 | 46 | 30 | 213 | 64 | 81 | 34 | 20 | 38 | 2 | 2 | 0 | - | - | - | - | - | - | - |
| 244CM CLASSIC ARMLESS SOFA | 244 | 104 | 83 | 69 | 49 | - | 19 | 46 | 30 | 244 | 64 | 81 | 34 | 20 | 38 | 2 | 2 | 0 | - | - | - | - | - | - | - |
| 183CM CLASSIC LEFT-ARM SOFA | 183 | 104 | 83 | 69 | 49 | 69 | 19 | 46 | 30 | 160 | 64 | 81 | 34 | 20 | 38 | 2 | 1 | 0 | - | - | 20 | 38 | 23 | - | - |
| 183CM CLASSIC RIGHT-ARM SOFA | 183 | 104 | 83 | 69 | 49 | 69 | 19 | 46 | 30 | 160 | 64 | 81 | 34 | 20 | 38 | 2 | 1 | 0 | - | - | 20 | 38 | 23 | - | - |
| 213CM CLASSIC LEFT-ARM SOFA | 213 | 104 | 83 | 69 | 49 | 69 | 19 | 46 | 30 | 191 | 64 | 81 | 34 | 20 | 38 | 2 | 2 | 0 | - | - | 20 | 38 | 23 | - | - |
| 213CM CLASSIC RIGHT-ARM SOFA | 213 | 104 | 83 | 69 | 49 | 69 | 19 | 46 | 30 | 191 | 64 | 81 | 34 | 20 | 38 | 2 | 2 | 0 | - | - | 20 | 38 | 23 | - | - |
| 244CM CLASSIC LEFT-ARM SOFA | 244 | 104 | 83 | 69 | 49 | 69 | 19 | 46 | 30 | 221 | 64 | 81 | 34 | 20 | 38 | 2 | 2 | 0 | - | - | 20 | 38 | 23 | - | - |

ITALIA TAPER ARM OAK BASE COLLECTION

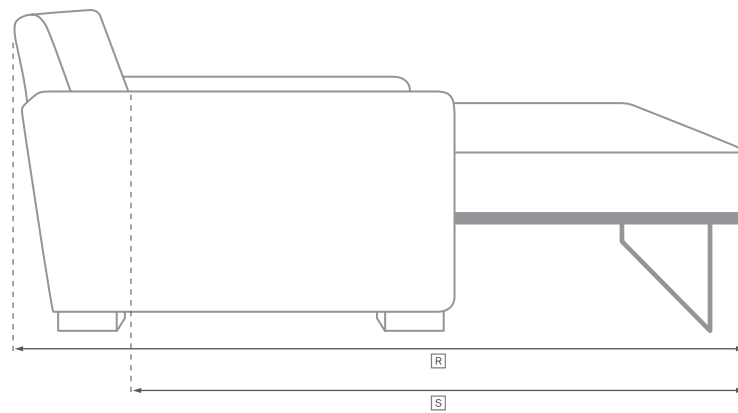
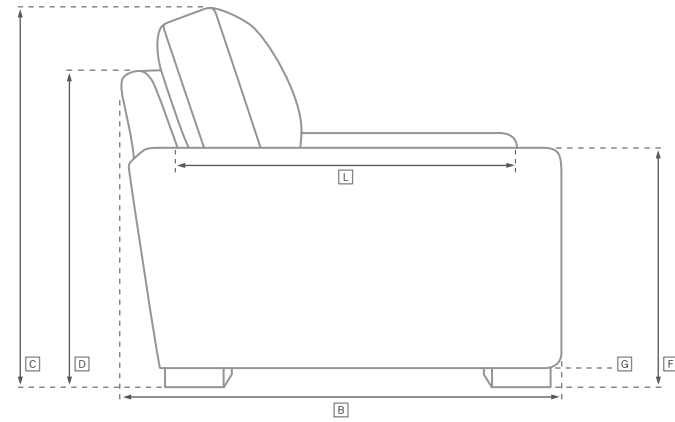
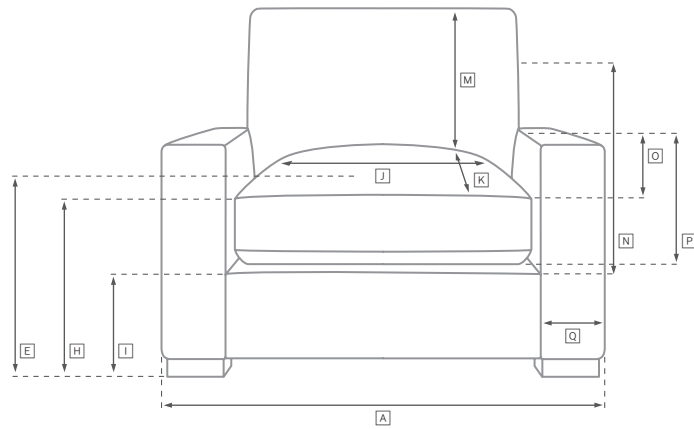
All dimensions are given in cm; all weights are given in kg. See the attached "Dimensions Diagram" sheet for more information on the keys used in this chart.



| | A | B | C | D | E | F | G | H | I | J | K | L | M | N | | | | | | | | | | | |
|-------------------------------------|---------------|---------------|----------------|--------------|-------------|------------|-------------|-------------------------------------|------------------------------|-------------------|-----------------------------------|------------------------------------|--|------------------------------------|---|--------------------|--------------------|----------------|---------------------------------|-------------------------------|----------------------------|-----------------------------|-----------|-----------------------|----------------------|
| | OVERALL WIDTH | OVERALL DEPTH | OVERALL HEIGHT | FRAME HEIGHT | SEAT HEIGHT | ARM HEIGHT | FOOT HEIGHT | SEAT HEIGHT (FLOOR TO CUSHION SEAM) | SEAT HEIGHT (FLOOR TO FRAME) | INSIDE SEAT WIDTH | INSIDE SEAT DEPTH W/ BACK CUSHION | INSIDE SEAT DEPTH W/O BACK CUSHION | INSIDE BACK HEIGHT W/ SEAT & BACK CUSHIONS | INSIDE BACK HEIGHT W/ SEAT CUSHION | INSIDE BACK HEIGHT W/O SEAT OR BACK CUSHION | # OF BACK CUSHIONS | # OF SEAT CUSHIONS | ACCENT PILLOWS | REGULAR ACCENT PILLOWS DIAMETER | LARGER ACCENT PILLOW DIAMETER | ARM HEIGHT W/ SEAT CUSHION | ARM HEIGHT W/O SEAT CUSHION | ARM WIDTH | SLEEPER DEPTH OVERALL | SLEEPER DEPTH INSIDE |
| 244CM CLASSIC RIGHT-ARM SOFA | 244 | 104 | 83 | 69 | 49 | 69 | 19 | 46 | 30 | 221 | 64 | 81 | 34 | 20 | 38 | 2 | 2 | 0 | - | - | 20 | 38 | 23 | - | - |
| 274CM CLASSIC LEFT-ARM SOFA | 274 | 104 | 83 | 69 | 49 | 69 | 19 | 46 | 30 | 251 | 64 | 81 | 34 | 20 | 38 | 3 | 3 | 0 | - | - | 20 | 38 | 23 | - | - |
| 274CM CLASSIC RIGHT-ARM SOFA | 274 | 104 | 83 | 69 | 49 | 69 | 19 | 46 | 30 | 251 | 64 | 81 | 34 | 20 | 38 | 3 | 3 | 0 | - | - | 20 | 38 | 23 | - | - |
| 213CM CLASSIC LEFT-ARM RETURN SOFA | 213 | 104 | 83 | 69 | 49 | 69 | 19 | 46 | 30 | 150 | 64 | 81 | 34 | 20 | 38 | 3 | 2 | 0 | - | - | 20 | 38 | 23 | - | - |
| 213CM CLASSIC RIGHT-ARM RETURN SOFA | 213 | 104 | 83 | 69 | 49 | 69 | 19 | 46 | 30 | 150 | 64 | 81 | 34 | 20 | 38 | 3 | 2 | 0 | - | - | 20 | 38 | 23 | - | - |
| 244CM CLASSIC LEFT-ARM RETURN SOFA | 244 | 104 | 83 | 69 | 49 | 69 | 19 | 46 | 30 | 180 | 64 | 81 | 34 | 20 | 38 | 3 | 2 | 0 | - | - | 20 | 38 | 23 | - | - |
| 244CM CLASSIC RIGHT-ARM RETURN SOFA | 244 | 104 | 83 | 69 | 49 | 69 | 19 | 46 | 30 | 180 | 64 | 81 | 34 | 20 | 38 | 3 | 2 | 0 | - | - | 20 | 38 | 23 | - | - |
| 274CM CLASSIC LEFT-ARM RETURN SOFA | 274 | 104 | 83 | 69 | 49 | 69 | 19 | 46 | 30 | 211 | 64 | 81 | 34 | 20 | 38 | 4 | 3 | 0 | - | - | 20 | 38 | 23 | - | - |
| 274CM CLASSIC RIGHT-ARM RETURN SOFA | 274 | 104 | 83 | 69 | 49 | 69 | 19 | 46 | 30 | 211 | 64 | 81 | 34 | 20 | 38 | 4 | 3 | 0 | - | - | 20 | 38 | 23 | - | - |
| 305CM CLASSIC LEFT-ARM RETURN SOFA | 305 | 104 | 83 | 69 | 49 | 69 | 19 | 46 | 30 | 241 | 64 | 81 | 34 | 20 | 38 | 4 | 3 | 0 | - | - | 20 | 38 | 23 | - | - |
| 305CM CLASSIC RIGHT-ARM RETURN SOFA | 305 | 104 | 83 | 69 | 49 | 69 | 19 | 46 | 30 | 241 | 64 | 81 | 34 | 20 | 38 | 4 | 3 | 0 | - | - | 20 | 38 | 23 | - | - |
| CLASSIC LEFT-ARM CHAISE | 104 | 173 | 83 | 69 | 49 | 69 | 19 | 46 | 30 | 81 | 132 | 149 | 34 | 20 | 38 | 1 | 1 | 0 | - | - | 20 | 38 | 23 | - | - |
| CLASSIC RIGHT-ARM CHAISE | 104 | 173 | 83 | 69 | 49 | 69 | 19 | 46 | 30 | 81 | 132 | 149 | 34 | 20 | 38 | 1 | 1 | 0 | - | - | 20 | 38 | 23 | - | - |

UPHOLSTERY DIMENSIONS DIAGRAM

See the "Dimensions Sheet" for the measurements that correspond with the letters below.

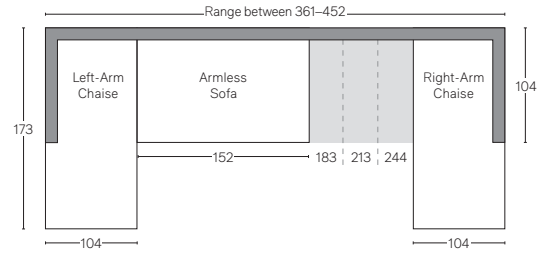
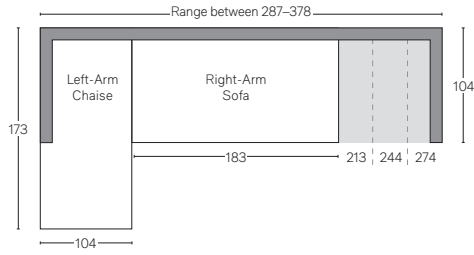


ITALIA TAPER ARM OAK BASE SECTIONALS - CLASSIC DEPTH 104cm

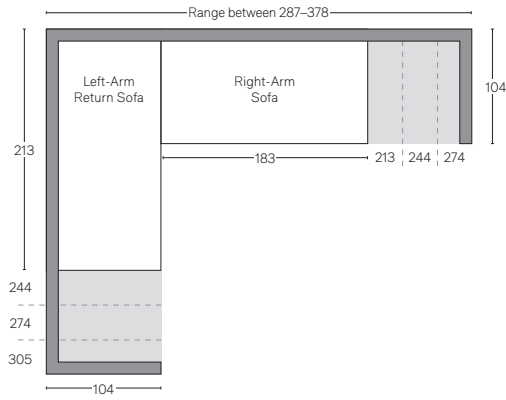
All dimensions are given in centimeters.



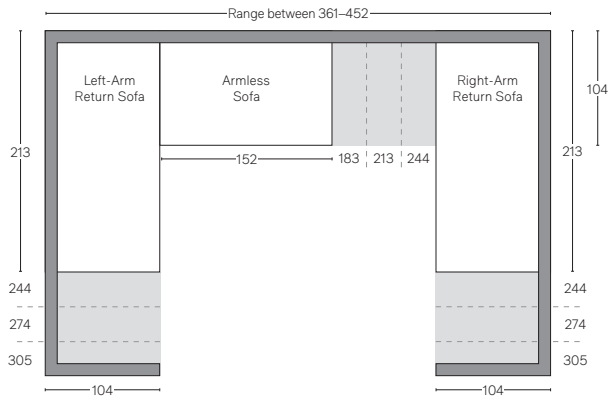
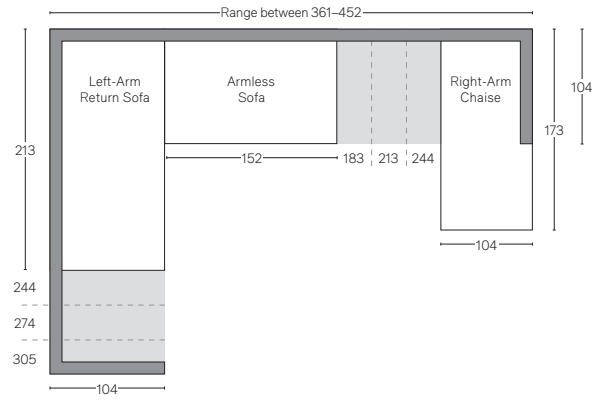
SOFA CHAISE SECTIONAL




L-SECTIONAL



U-SOFA CHAISE SECTIONAL



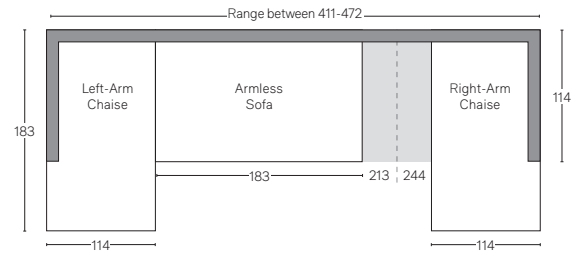
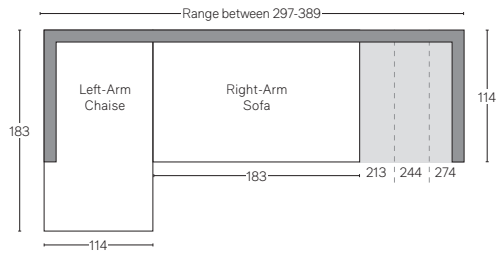
 Multiple length options available.

ITALIA TAPER ARM OAK BASE SECTIONALS - LUXE DEPTH 114cm

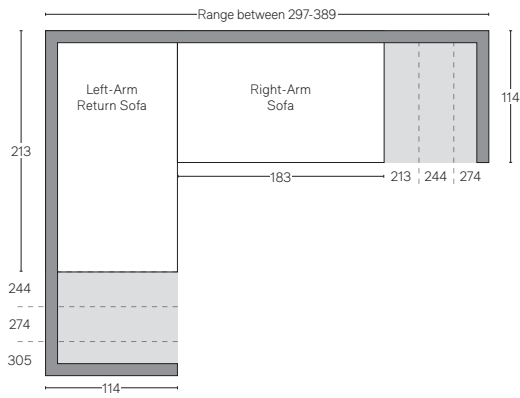
All dimensions are given in centimeters.



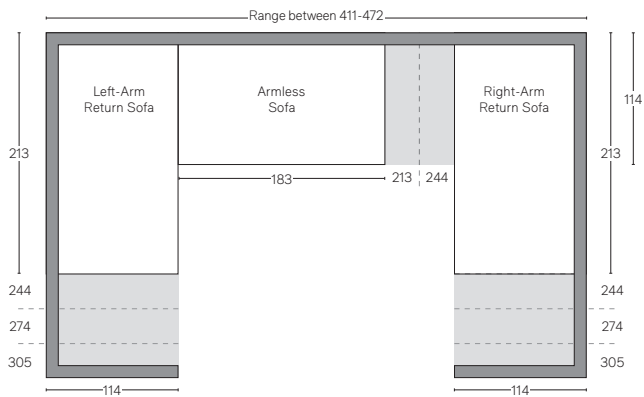
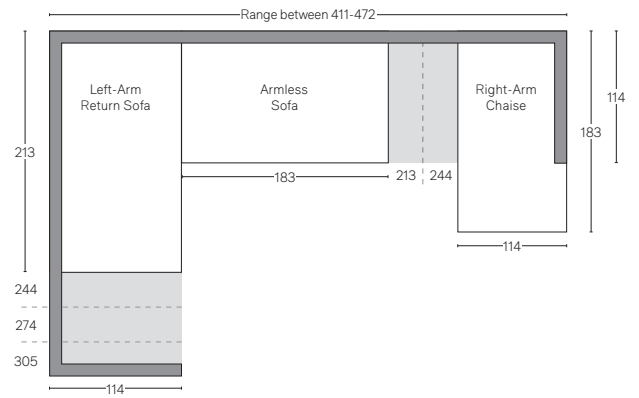
SOFA CHAISE SECTIONAL




L-SECTIONAL



U-SOFA CHAISE SECTIONAL



 Multiple length options available.