

# MATIRA TEAK SEATING COLLECTION

All dimensions are given in centimeters; all weights are given in kg. See the attached "Dimensions Diagram" sheet for more information on the keys used in this chart.

|                           | OVERALL WIDTH<br>A | OVERALL DEPTH<br>B | OVERALL HEIGHT<br>W/ CUSHION<br>C | FRAME HEIGHT<br>D | ARM HEIGHT<br>E | ARM WIDTH<br>F | FOOT HEIGHT<br>G | SEAT HEIGHT<br>W/ CUSHION<br>H | SEAT HEIGHT<br>(FLOOR TO FRAME)<br>I | INSIDE SEAT WIDTH<br>J | INSIDE SEAT DEPTH<br>K | NUMBER OF<br>BACK CUSHIONS | NUMBER OF<br>SEAT CUSHIONS | WEIGHT |
|---------------------------|--------------------|--------------------|-----------------------------------|-------------------|-----------------|----------------|------------------|--------------------------------|--------------------------------------|------------------------|------------------------|----------------------------|----------------------------|--------|
| 183CM SOFA                | 183                | 82                 | 81                                | 64                | 64              | 4              | 15               | 43                             | 20                                   | 175                    | 57                     | 3                          | 1                          | -      |
| 213CM SOFA                | 213                | 82                 | 81                                | 64                | 64              | 4              | 15               | 43                             | 20                                   | 206                    | 57                     | 3                          | 1                          | -      |
| 244CM SOFA                | 244                | 82                 | 81                                | 64                | 64              | 4              | 15               | 43                             | 20                                   | 236                    | 57                     | 3                          | 1                          | -      |
| 274CM SOFA                | 274                | 82                 | 81                                | 64                | 64              | 4              | 15               | 43                             | 20                                   | 267                    | 57                     | 3                          | 1                          | -      |
| LOUNGE CHAIR              | 80                 | 83                 | 81                                | 64                | 64              | 4              | 15               | 43                             | 20                                   | 72                     | 57                     | 1                          | 1                          | -      |
| SWIVEL LOUNGE CHAIR       | 80                 | 83                 | 81                                | 64                | 64              | 4              | 3                | 43                             | 13                                   | 72                     | 57                     | 1                          | 1                          | -      |
| OTTOMAN                   | 72                 | 72                 | 43                                | 20                | -               | -              | 13               | 43                             | 20                                   | -                      | -                      | -                          | 1                          | -      |
| CHAISE                    | 74                 | 208                | 97                                | 27                | -               | -              | 19               | 37                             | 27                                   | 74                     | 129                    | 1                          | 1                          | -      |
| DINING ARMCHAIR           | 57                 | 58                 | 81                                | 69                | 69              | 3              | 38               | 48                             | 43                                   | 51                     | 55                     | 1                          | 1                          | -      |
| DINING SIDE CHAIR         | 53                 | 58                 | 81                                | 69                | -               | -              | 38               | 48                             | 43                                   | 51                     | 55                     | 1                          | 1                          | -      |
| LEFT-ARM TWO-SEAT SOFA    | 171                | 82                 | 81                                | 64                | 64              | 4              | -                | 43                             | 20                                   | 168                    | 57                     | 2                          | 1                          | -      |
| RIGHT-ARM TWO-SEAT SOFA   | 171                | 82                 | 81                                | 64                | 64              | 4              | -                | 43                             | 20                                   | 168                    | 57                     | 2                          | 1                          | -      |
| LEFT-ARM THREE-SEAT SOFA  | 254                | 82                 | 81                                | 64                | 64              | 4              | -                | 43                             | 20                                   | 250                    | 57                     | 3                          | 1                          | -      |
| RIGHT-ARM THREE-SEAT SOFA | 254                | 82                 | 81                                | 64                | 64              | 4              | -                | 43                             | 20                                   | 250                    | 57                     | 3                          | 1                          | -      |

# MATIRA TEAK SEATING COLLECTION

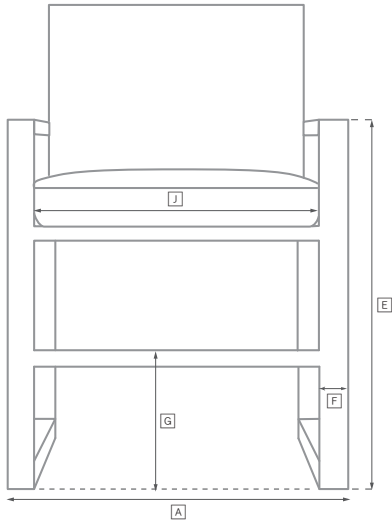
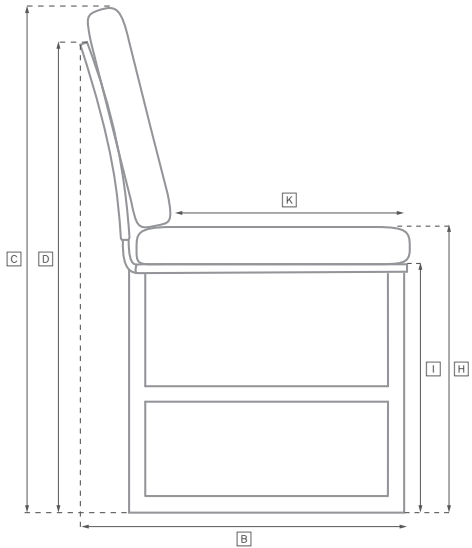
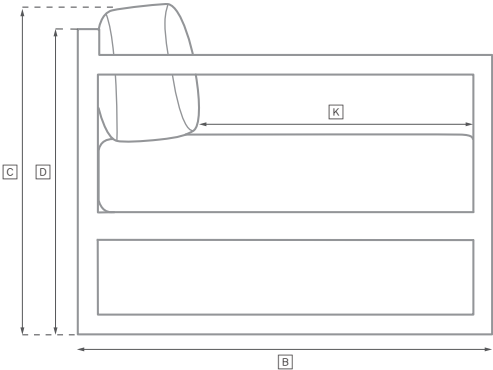
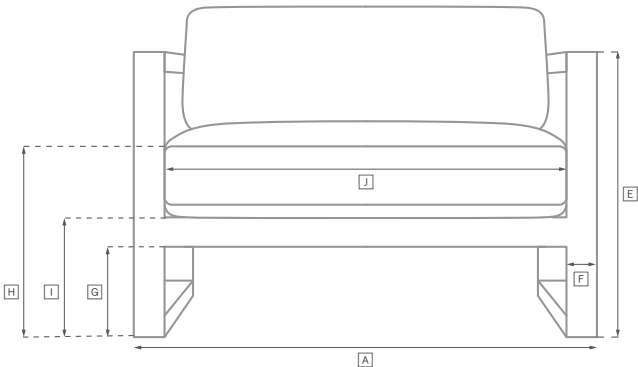


All dimensions are given in centimeters; all weights are given in kg. See the attached "Dimensions Diagram" sheet for more information on the keys used in this chart.

|                  | OVERALL WIDTH<br>A | OVERALL DEPTH<br>B | OVERALL HEIGHT<br>W/ CUSHION<br>C | FRAME HEIGHT<br>D | ARM HEIGHT<br>E | ARM WIDTH<br>F | FOOT HEIGHT<br>G | SEAT HEIGHT<br>W/ CUSHION<br>H | SEAT HEIGHT<br>(FLOOR TO FRAME)<br>I | INSIDE SEAT WIDTH<br>J | INSIDE SEAT DEPTH<br>K | NUMBER OF<br>BACK CUSHIONS | NUMBER OF<br>SEAT CUSHIONS | WEIGHT |
|------------------|--------------------|--------------------|-----------------------------------|-------------------|-----------------|----------------|------------------|--------------------------------|--------------------------------------|------------------------|------------------------|----------------------------|----------------------------|--------|
| LEFT-ARM CHAISE  | 170                | 82                 | 81                                | 64                | 64              | 4              | -                | 43                             | 20                                   | 150                    | 79                     | 1                          | 1                          | -      |
| RIGHT-ARM CHAISE | 170                | 82                 | 81                                | 64                | 64              | 4              | -                | 43                             | 20                                   | 150                    | 79                     | 1                          | 1                          | -      |
| ARMLESS SOFA     | 250                | 82                 | 81                                | 64                | -               | -              | -                | 43                             | 20                                   | 250                    | 57                     | 3                          | 1                          | -      |
| CORNER CHAIR     | 82                 | 82                 | 81                                | 64                | 64              | 4              | -                | 43                             | 20                                   | 58                     | 58                     | 2                          | 1                          | -      |

# OUTDOOR SEATING DIMENSIONS DIAGRAM

See the "Dimensions Sheet" for the measurements that correspond with the letters below.



# OUTDOOR SEATING DIMENSIONS DIAGRAM

See the "Dimensions Sheet" for the measurements that correspond with the letters below.

RH

