

# CAPE TOWN TEAK SEATING COLLECTION



All dimensions are given in centimeters; all weights are given in kg. See the attached "Dimensions Diagram" sheet for more information on the keys used in this chart.

	OVERALL WIDTH A	OVERALL DEPTH B	OVERALL HEIGHT W/ CUSHION C	FRAME HEIGHT D	ARM HEIGHT E	ARM WIDTH F	FOOT HEIGHT G	SEAT HEIGHT W/ CUSHION H	SEAT HEIGHT (FLOOR TO FRAME) I	INSIDE SEAT WIDTH J	INSIDE SEAT DEPTH K	NUMBER OF BACK CUSHIONS	NUMBER OF SEAT CUSHIONS	WEIGHT
213CM SOFA	213	99	66	56	56	20	11	41	24	173	71   60 w/ Accent	2	2	63.0
244CM SOFA	244	99	66	56	56	20	11	41	24	203	71   60 w/ Accent	2	2	68.9
274CM SOFA	274	99	66	56	56	20	11	41	24	234	71   60 w/ Accent	3	3	75.3
305CM SOFA	305	99	66	56	56	20	11	41	24	264	71   60 w/ Accent	3	3	78.5
LOUNGE CHAIR	112	99	66	56	56	20	11	41	24	71	71   60 w/ Accent	1	1	37.2
SWIVEL LOUNGE CHAIR	112	99	66	56	56	20	11	41	24	71	71   60 w/ Accent	1	1	44.5
CHAISE	112	165	66	56	56	20	11	41	24	71	138   127 w/ Accent	1	1	47.6
DOUBLE CHAISE	193	165	66	56	56	20	11	41	24	152	138   127 w/ Accent	2	2	68.5
CORNER CHAIR	99	99	66	56	56	20	11	41	24	102	71   60 w/ Accent	2	1	38.1
OTTOMAN	112	75	41	24	-	-	11	41	24	-	-	-	1	19.5
LEFT-ARM CHAISE	91	183	66	56	56	20	11	41	24	51	156   145 w/ Accent	1	1	44.5
RIGHT-ARM CHAISE	91	183	66	56	56	20	11	41	24	51	156   145 w/ Accent	1	1	44.5
ARMLESS SOFA	183	99	66	56	-	-	11	41	24	183	71   60 w/ Accent	2	2	49.4
LEFT-ARM SOFA	183	99	66	56	56	20	11	41	24	163	71   60 w/ Accent	2	2	52.6

# CAPE TOWN TEAK SEATING COLLECTION

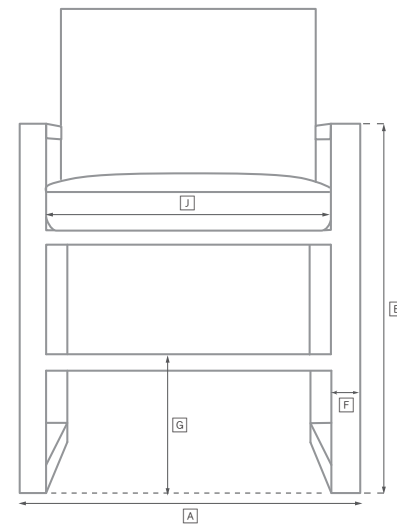
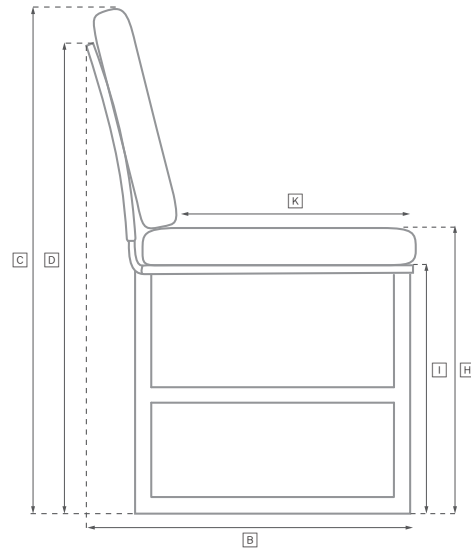
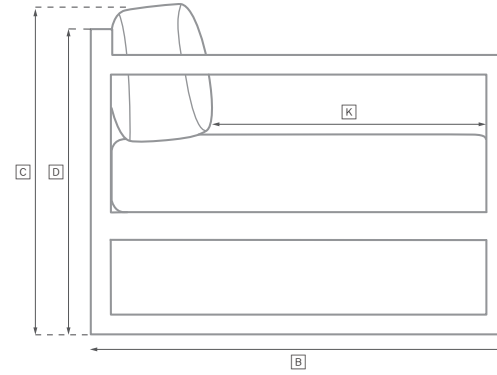
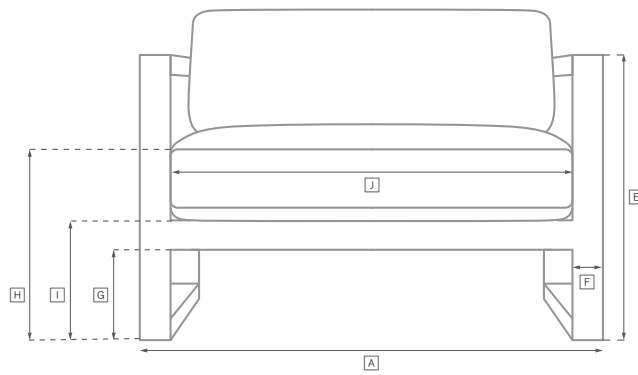


All dimensions are given in centimeters; all weights are given in kg. See the attached "Dimensions Diagram" sheet for more information on the keys used in this chart.

	OVERALL WIDTH A	OVERALL DEPTH B	OVERALL HEIGHT W/ CUSHION C	FRAME HEIGHT D	ARM HEIGHT E	ARM WIDTH F	FOOT HEIGHT G	SEAT HEIGHT W/ CUSHION H	SEAT HEIGHT (FLOOR TO FRAME) I	INSIDE SEAT WIDTH J	INSIDE SEAT DEPTH K	NUMBER OF BACK CUSHIONS	NUMBER OF SEAT CUSHIONS	WEIGHT
RIGHT-ARM SOFA	183	99	66	56	56	20	11	41	24	163	71   60 w/ Accent	2	2	52.6
MODULAR LEFT-ARM DAYBED	142	142	66	56	56	20	11	41	24	102	116   104 w/ Accent	1	1	50.8
MODULAR RIGHT-ARM DAYBED	142	142	66	56	56	20	11	41	24	102	116   104 w/ Accent	1	1	50.8
MODULAR ARMLESS DAYBED	142	142	66	56	-	-	11	41	24	102	116   104 w/ Accent	1	1	45.8
MODULAR CORNER DAYBED	142	142	66	56	56	20	11	41	24	102	116   104 w/ Accent	2	1	56.2
DINING ARMCHAIR	62	57	72	66	48	5	37	48	42	50	44	1	1	11.8
DINING SIDE CHAIR	50	57	72	66	-	-	37	48	42	50	44	1	1	9.5

# OUTDOOR SEATING DIMENSIONS DIAGRAM

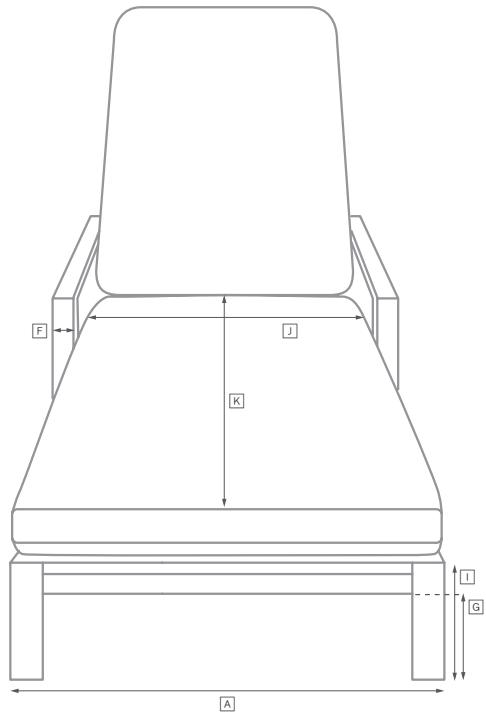
See the "Dimensions Sheet" for the measurements that correspond with the letters below.



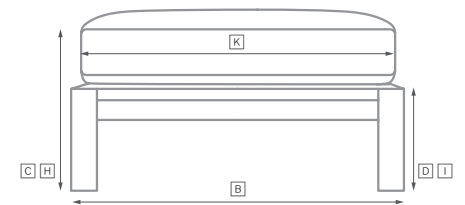
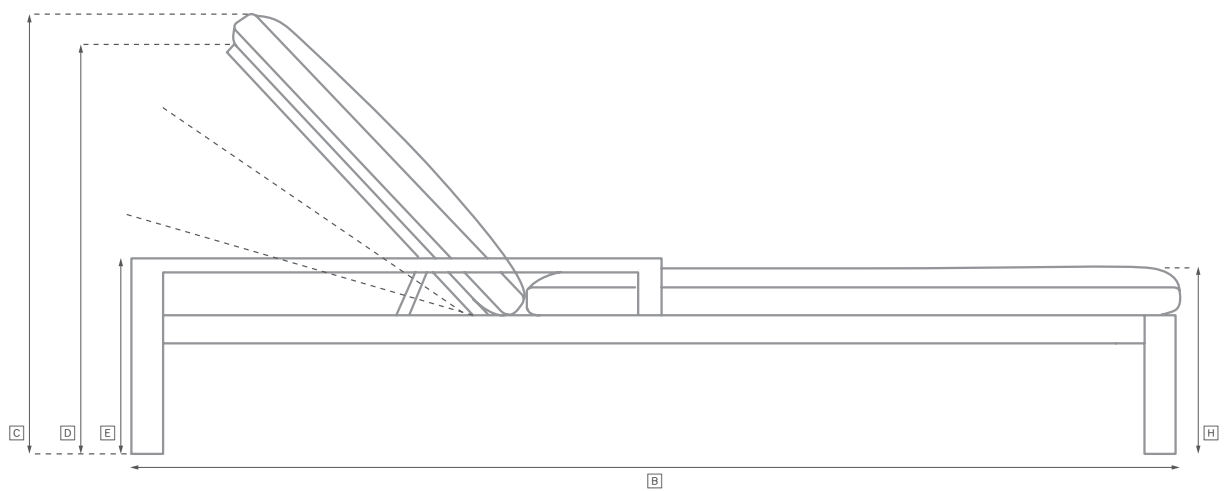
# OUTDOOR SEATING DIMENSIONS DIAGRAM

See the "Dimensions Sheet" for the measurements that correspond with the letters below.

RH



FRONT



SIDE