

CAPE TOWN ALUMINUM SEATING COLLECTION



All dimensions are given in centimeters; all weights are given in kg. See the attached "Dimensions Diagram" sheet for more information on the keys used in this chart.

	OVERALL WIDTH A	OVERALL DEPTH B	OVERALL HEIGHT W/ CUSHION C	FRAME HEIGHT D	ARM HEIGHT E	ARM WIDTH F	FOOT HEIGHT G	SEAT HEIGHT W/ CUSHION H	SEAT HEIGHT (FLOOR TO FRAME) I	INSIDE SEAT WIDTH J	INSIDE SEAT DEPTH K	NUMBER OF BACK CUSHIONS	NUMBER OF SEAT CUSHIONS	WEIGHT
213CM SOFA	213	99	66	56	56	20	11	41	24	173	71 60 w/ Accent	2	2	-
244CM SOFA	244	99	66	56	56	20	11	41	24	203	71 60 w/ Accent	2	2	-
274CM SOFA	274	99	66	56	56	20	11	41	24	234	71 60 w/ Accent	3	3	-
305CM SOFA	305	99	66	56	56	20	11	41	24	264	71 60 w/ Accent	3	3	-
LOUNGE CHAIR	112	99	66	56	56	20	11	41	24	71	71 60 w/ Accent	1	1	-
SWIVEL LOUNGE CHAIR	112	99	66	56	56	20	11	41	24	71	71 60 w/ Accent	1	1	-
CHAISE	112	165	66	56	56	20	11	41	24	71	138 127 w/ Accent	1	1	-
DOUBLE CHAISE	193	165	66	56	56	20	11	41	24	152	138 127 w/ Accent	2	2	-
CORNER CHAIR	99	99	66	56	56	20	11	41	24	102	71 60 w/ Accent	2	1	-
OTTOMAN	112	75	41	24	-	-	11	41	24	-	-	-	1	-
LEFT-ARM CHAISE	91	183	66	56	56	20	11	41	24	51	156 145 w/ Accent	1	1	-
RIGHT-ARM CHAISE	91	183	66	56	56	20	11	41	24	51	156 145 w/ Accent	1	1	-
ARMLESS SOFA	183	99	66	56	-	-	11	41	24	183	71 60 w/ Accent	2	2	-
LEFT-ARM SOFA	183	99	66	56	56	20	11	41	24	163	71 60 w/ Accent	2	2	-

CAPE TOWN ALUMINUM SEATING COLLECTION

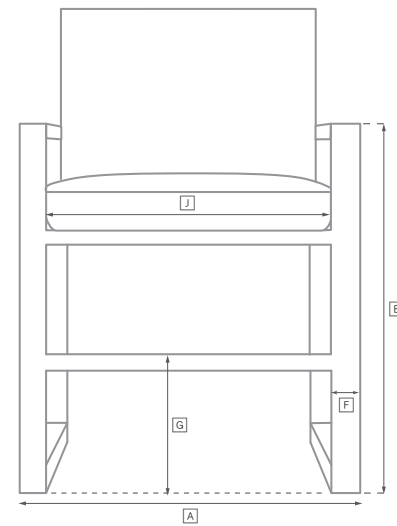
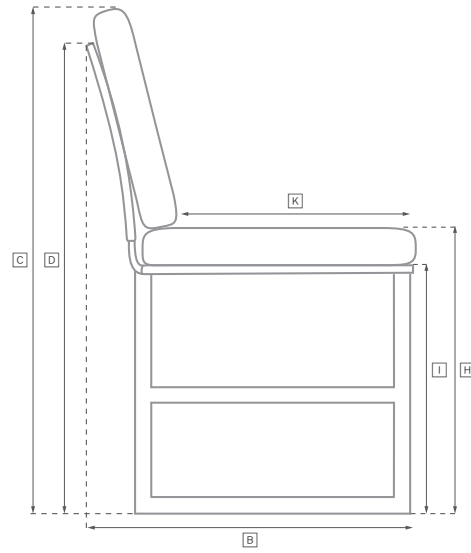
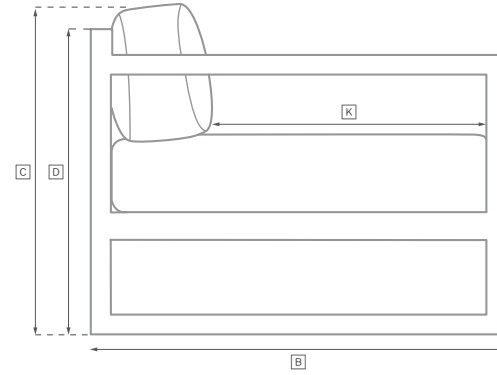
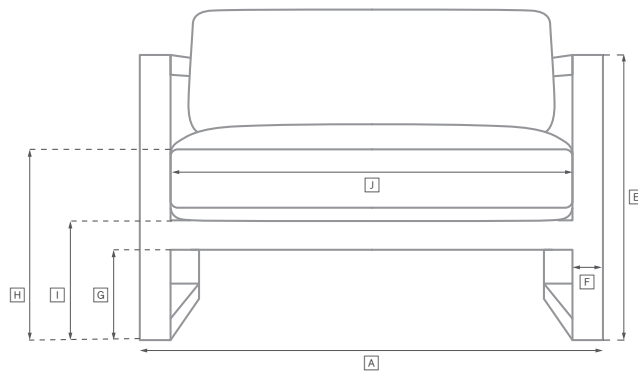


All dimensions are given in centimeters; all weights are given in kg. See the attached "Dimensions Diagram" sheet for more information on the keys used in this chart.

	OVERALL WIDTH A	OVERALL DEPTH B	OVERALL HEIGHT W/ CUSHION C	FRAME HEIGHT D	ARM HEIGHT E	ARM WIDTH F	FOOT HEIGHT G	SEAT HEIGHT W/ CUSHION H	SEAT HEIGHT (FLOOR TO FRAME) I	INSIDE SEAT WIDTH J	INSIDE SEAT DEPTH K	NUMBER OF BACK CUSHIONS	NUMBER OF SEAT CUSHIONS	WEIGHT
RIGHT-ARM SOFA	183	99	66	56	56	20	11	41	24	163	71 60 w/ Accent	2	2	-
MODULAR LEFT-ARM DAYBED	142	142	66	56	56	20	11	41	24	102	116 104 w/ Accent	1	1	-
MODULAR RIGHT-ARM DAYBED	142	142	66	56	56	20	11	41	24	102	116 104 w/ Accent	1	1	-
MODULAR ARMLESS DAYBED	142	142	66	56	-	-	11	41	24	102	116 104 w/ Accent	1	1	-
MODULAR CORNER DAYBED	142	142	66	56	56	20	11	41	24	102	116 104 w/ Accent	2	1	-
DINING ARMCHAIR	62	57	72	66	48	5	37	48	42	50	44	1	1	-
DINING SIDE CHAIR	50	57	72	66	-	-	37	48	42	50	44	1	1	-

OUTDOOR SEATING DIMENSIONS DIAGRAM

See the "Dimensions Sheet" for the measurements that correspond with the letters below.



OUTDOOR SEATING DIMENSIONS DIAGRAM

See the "Dimensions Sheet" for the measurements that correspond with the letters below.

RH

