

# BONDI ALUMINUM SEATING COLLECTION

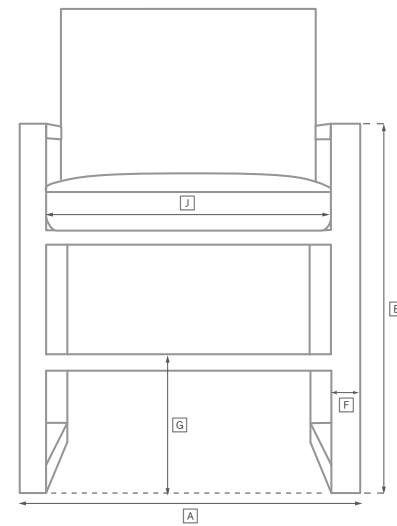
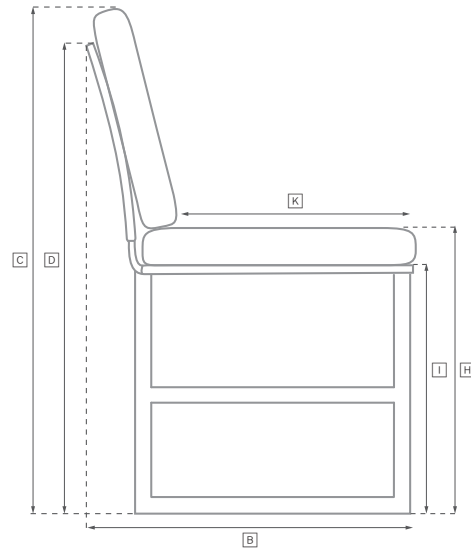
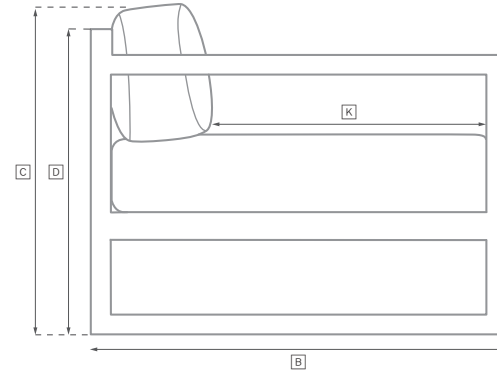
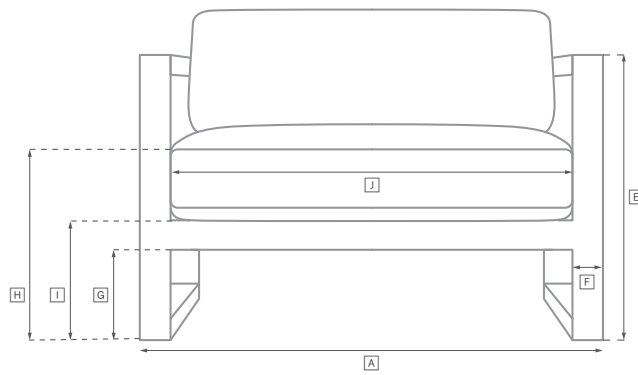


All dimensions are given in centimeters; all weights are given in kg. See the attached "Dimensions Diagram" sheet for more information on the keys used in this chart.

	OVERALL WIDTH A	OVERALL DEPTH B	OVERALL HEIGHT W/ CUSHION C	FRAME HEIGHT D	ARM HEIGHT E	ARM WIDTH F	FOOT HEIGHT G	SEAT HEIGHT W/ CUSHION H	SEAT HEIGHT (FLOOR TO FRAME) I	INSIDE SEAT WIDTH J	INSIDE SEAT DEPTH K	NUMBER OF BACK CUSHIONS	NUMBER OF SEAT CUSHIONS	WEIGHT
213CM SOFA	213	87	70	70	70	20	-	43	24	189	69	1	1	-
254CM SOFA	254	87	70	70	70	20	-	43	24	229	69	1	1	-
LOUNGE CHAIR	93	87	70	70	70	20	-	43	24	69	74	1	1	-
SWIVEL LOUNGE CHAIR	93	83	70	70	70	20	-	43	9	69	83	1	1	-
CHAISE	208	80	36	11	-	-	-	36	11	128	80	1	1	-
ARMCHAIR	70	62	69	70	70	12	-	48	40	55	55	1	1	-
DAYBED	160	168	70	70	-	-	-	43	20	160	148	1	1	-
ARMLESS SOFA	213	91	70	70	-	-	-	43	20	213	70	1	1	-
THREE-SEAT ARMLESS SOFA WITH SIDE TABLE	274	86	70	70	-	-	-	43	20	234	70	1	1	-

# OUTDOOR SEATING DIMENSIONS DIAGRAM

See the "Dimensions Sheet" for the measurements that correspond with the letters below.



# OUTDOOR SEATING DIMENSIONS DIAGRAM

See the "Dimensions Sheet" for the measurements that correspond with the letters below.

