

MAXWELL COLLECTION



All dimensions are given in cm; all weights are given in kg. See the attached "Dimensions Diagram" sheet for more information on the keys used in this chart.

	A	B	C	D	E	F	G	H	I	J	K	L		M	N						O	P	Q	R	S
	OVERALL WIDTH	OVERALL DEPTH	OVERALL HEIGHT	FRAME HEIGHT	SEAT HEIGHT	ARM HEIGHT	FOOT HEIGHT	SEAT HEIGHT (FLOOR TO CUSHION SEAM)	SEAT HEIGHT (FLOOR TO FRAME)	INSIDE SEAT WIDTH	INSIDE SEAT DEPTH W/ BACK CUSHION	INSIDE SEAT DEPTH W/O BACK CUSHION	INSIDE BACK HEIGHT W/ SEAT & BACK CUSHIONS	INSIDE BACK HEIGHT W/ SEAT CUSHION	INSIDE BACK HEIGHT W/O SEAT OR BACK CUSHION	# OF BACK CUSHIONS	# OF SEAT CUSHIONS	ACCENT PILLOWS	REGULAR ACCENT PILLOWS DIAMETER	LARGER ACCENT PILLOW DIAMETER	ARM HEIGHT W/ SEAT CUSHION	ARM HEIGHT W/O SEAT CUSHION	ARM WIDTH	SLEEPER DEPTH OVERALL	SLEEPER DEPTH INSIDE
152CM PETTTE SOFA	152	93	77	72	49	53	4	43	27	127	52	66	29	23	46	1	1	0	-	-	4	26	13	-	-
152CM CLASSIC SOFA	152	102	86	76	51	57	5	44	28	117	61	74	34	25	48	1	1	0	-	-	6	29	18	-	-
152CM LUXE SOFA	152	117	86	76	51	57	5	44	28	117	76	89	36	25	48	1	1	0	-	-	6	29	18	-	-
183CM PETTTE SOFA	183	93	77	72	49	53	4	43	27	157	52	71	29	23	46	2	2	0	-	-	4	26	13	-	-
183CM CLASSIC SOFA	183	102	86	76	51	57	5	44	28	147	61	74	34	25	48	2	2	0	-	-	6	29	18	-	-
183CM LUXE SOFA	183	117	86	76	51	57	5	44	28	147	76	89	36	25	48	2	2	0	-	-	6	29	18	-	-
213CM PETTTE SOFA	213	93	77	72	49	53	4	43	27	188	52	66	29	23	46	2	2	0	-	-	4	26	13	-	-
213CM CLASSIC SOFA	213	102	86	76	51	57	5	44	28	178	61	74	34	25	48	2	2	0	-	-	6	29	18	-	-
213CM LUXE SOFA	213	117	86	76	51	57	5	44	28	178	76	89	36	25	48	2	2	0	-	-	6	29	18	-	-
244CM PETTTE SOFA	244	93	77	72	49	53	4	43	27	218	52	66	29	23	46	2	2	0	-	-	4	26	13	-	-
244CM CLASSIC SOFA	244	102	86	76	51	57	5	44	28	208	61	74	34	25	48	2	2	0	-	-	6	29	18	-	-
244CM LUXE SOFA	244	117	86	76	51	57	5	44	28	208	76	89	36	25	48	2	2	0	-	-	6	29	18	-	-
274CM PETTTE SOFA	274	93	77	72	49	53	4	43	27	249	52	66	29	23	46	2	2	0	-	-	4	26	13	-	-
274CM CLASSIC SOFA	274	102	86	76	51	57	5	44	28	239	61	74	34	25	48	2	2	0	-	-	6	29	18	-	-

MAXWELL COLLECTION



All dimensions are given in cm; all weights are given in kg. See the attached "Dimensions Diagram" sheet for more information on the keys used in this chart.

	A	B	C	D	E	F	G	H	I	J	K	L	M	N						O	P	Q	R	S	
	OVERALL WIDTH	OVERALL DEPTH	OVERALL HEIGHT	FRAME HEIGHT	SEAT HEIGHT	ARM HEIGHT	FOOT HEIGHT	SEAT HEIGHT (FLOOR TO CUSHION SEAM)	SEAT HEIGHT (FLOOR TO FRAME)	INSIDE SEAT WIDTH	INSIDE SEAT DEPTH W/ BACK CUSHION	INSIDE SEAT DEPTH W/O BACK CUSHION	INSIDE BACK HEIGHT W/ SEAT & BACK CUSHIONS	INSIDE BACK HEIGHT W/ SEAT CUSHION	INSIDE BACK HEIGHT W/O SEAT OR BACK CUSHION	# OF BACK CUSHIONS	# OF SEAT CUSHIONS	ACCENT PILLOWS	REGULAR ACCENT PILLOWS DIAMETER	LARGER ACCENT PILLOW DIAMETER	ARM HEIGHT W/ SEAT CUSHION	ARM HEIGHT W/O SEAT CUSHION	ARM WIDTH	SLEEPER DEPTH OVERALL	SLEEPER DEPTH INSIDE
274CM LUXE SOFA	274	117	86	76	51	57	5	44	28	239	76	89	36	25	48	2	2	0	-	-	6	29	18	-	-
PETTE CHAIR	84	93	77	72	49	53	4	43	27	58	52	66	29	23	46	1	1	0	-	-	4	26	13	-	-
CLASSIC CHAIR	107	102	86	76	51	57	5	44	28	71	61	74	34	25	48	1	1	0	-	-	6	29	18	-	-
LUXE CHAIR	107	117	86	76	51	57	5	44	28	71	76	89	36	25	48	1	1	0	-	-	6	29	18	-	-
CLASSIC SWIVEL CHAIR	107	102	86	76	51	57	-	44	28	71	61	74	34	25	48	1	1	0	-	-	6	29	18	-	-
LUXE SWIVEL CHAIR	107	117	86	76	51	57	-	44	28	71	76	89	36	25	48	1	1	0	-	-	6	29	18	-	-
RECLINER CHAIR	99	98	94	86	53	65	5	48	28	64	57	75	36	25	48	1	1	0	-	-	6	29	18	-	-
PETTE OTTOMAN	83	58	47	47	47	-	5	44	25	83	-	-	-	-	-	-	1	-	-	-	-	-	-	-	-
CLASSIC/LUXE OTTOMAN	81	61	47	47	47	-	5	44	25	81	-	-	-	-	-	-	1	-	-	-	-	-	-	-	-
152CM PETTE ARMLESS BENCH-SEAT SOFA*	152	93	77	72	49	-	4	43	27	152	52	66	29	23	46	2	1	0	-	-	-	-	-	-	-
152CM CLASSIC ARMLESS BENCH-SEAT SOFA*	152	102	86	76	51	-	5	44	28	152	61	74	34	25	48	2	1	0	-	-	-	-	-	-	-
183CM PETTE ARMLESS BENCH-SEAT SOFA*	183	93	77	72	49	-	4	43	27	183	52	66	29	23	46	2	1	0	-	-	-	-	-	-	-
183CM CLASSIC ARMLESS BENCH-SEAT SOFA*	183	102	86	76	51	-	5	44	28	183	61	74	34	25	48	2	1	0	-	-	-	-	-	-	-
183CM LUXE ARMLESS BENCH-SEAT SOFA*	183	117	86	76	51	-	5	44	28	183	76	89	36	25	48	2	1	0	-	-	-	-	-	-	-

* ALSO AVAILABLE WITH 2 SEAT CUSHIONS

MAXWELL COLLECTION



All dimensions are given in cm; all weights are given in kg. See the attached "Dimensions Diagram" sheet for more information on the keys used in this chart.

	OVERALL WIDTH [A]	OVERALL DEPTH [B]	OVERALL HEIGHT [C]	FRAME HEIGHT [D]	SEAT HEIGHT [E]	ARM HEIGHT [F]	FOOT HEIGHT [G]	SEAT HEIGHT (FLOOR TO CUSHION SEAM) [H]	SEAT HEIGHT (FLOOR TO FRAME) [I]	INSIDE SEAT WIDTH [J]	INSIDE SEAT DEPTH W/ BACK CUSHION [K]	INSIDE SEAT DEPTH W/O BACK CUSHION [L]	INSIDE BACK HEIGHT W/ SEAT & BACK CUSHIONS [M]	INSIDE BACK HEIGHT W/ SEAT CUSHION [N]	# OF BACK CUSHIONS	# OF SEAT CUSHIONS	ACCENT PILLOWS	REGULAR ACCENT PILLOWS DIAMETER	LARGER ACCENT PILLOW DIAMETER	ARM HEIGHT W/ SEAT CUSHION [O]	ARM HEIGHT W/O SEAT CUSHION [P]	ARM WIDTH [Q]	SLEEPER DEPTH OVERALL [R]	SLEEPER DEPTH INSIDE [S]	
213CM PETTITE ARMLESS BENCH-SEAT SOFA*	213	93	77	72	49	-	4	43	27	213	52	66	29	23	46	2	1	0	-	-	-	-	-	-	-
213CM CLASSIC ARMLESS BENCH-SEAT SOFA*	213	102	86	76	51	-	5	44	28	213	61	74	34	25	48	2	1	0	-	-	-	-	-	-	-
213CM LUXE ARMLESS BENCH-SEAT SOFA*	213	117	86	76	51	-	5	44	28	213	76	89	36	25	48	2	1	0	-	-	-	-	-	-	-
244CM CLASSIC ARMLESS BENCH-SEAT SOFA*	244	102	86	76	51	-	5	44	28	244	61	74	34	25	48	2	1	0	-	-	-	-	-	-	-
244CM LUXE ARMLESS BENCH-SEAT SOFA*	244	117	86	76	51	-	5	44	28	244	76	89	36	25	48	2	1	0	-	-	-	-	-	-	-
274CM CLASSIC ARMLESS BENCH-SEAT SOFA*	274	102	86	76	51	-	5	44	28	274	61	74	34	25	48	2	1	0	-	-	-	-	-	-	-
274CM LUXE ARMLESS BENCH-SEAT SOFA*	274	117	86	76	51	-	5	44	28	274	76	89	36	25	48	2	1	0	-	-	-	-	-	-	-
152CM PETTITE LEFT-ARM BENCH-SEAT SOFA*	152	93	77	72	49	53	4	43	27	140	52	66	29	23	46	2	1	0	-	-	4	26	13	-	-
152CM PETTITE RIGHT-ARM BENCH-SEAT SOFA*	152	93	77	72	49	53	4	43	27	140	52	66	29	23	46	2	1	0	-	-	4	26	13	-	-
152CM CLASSIC LEFT-ARM BENCH-SEAT SOFA*	152	102	86	76	51	57	5	44	28	135	61	74	34	25	48	2	1	0	-	-	6	29	18	-	-
152CM CLASSIC RIGHT-ARM BENCH-SEAT SOFA*	152	102	86	76	51	57	5	44	28	135	61	74	34	25	48	2	1	0	-	-	6	29	18	-	-
183CM PETTITE LEFT-ARM BENCH-SEAT SOFA*	183	93	77	72	49	53	4	43	27	170	52	66	29	23	46	2	1	0	-	-	4	26	13	-	-
183CM PETTITE RIGHT-ARM BENCH-SEAT SOFA*	183	93	77	72	49	53	4	43	27	170	52	66	29	23	46	2	1	0	-	-	4	26	13	-	-
183CM CLASSIC LEFT-ARM BENCH-SEAT SOFA*	183	102	86	76	51	57	5	44	28	165	61	74	34	25	48	2	1	0	-	-	6	29	18	-	-

* ALSO AVAILABLE WITH 2 SEAT CUSHIONS

MAXWELL COLLECTION



All dimensions are given in cm; all weights are given in kg. See the attached "Dimensions Diagram" sheet for more information on the keys used in this chart.

	OVERALL WIDTH [A]	OVERALL DEPTH [B]	OVERALL HEIGHT [C]	FRAME HEIGHT [D]	SEAT HEIGHT [E]	ARM HEIGHT [F]	FOOT HEIGHT [G]	SEAT HEIGHT (FLOOR TO CUSHION SEAM) [H]	SEAT HEIGHT (FLOOR TO FRAME) [I]	INSIDE SEAT WIDTH [J]	INSIDE SEAT DEPTH W/ BACK CUSHION [K]	INSIDE SEAT DEPTH W/O BACK CUSHION [L]	INSIDE BACK HEIGHT W/ SEAT & BACK CUSHIONS [M]	INSIDE BACK HEIGHT W/ SEAT CUSHION [N]	INSIDE BACK HEIGHT W/O SEAT OR BACK CUSHION [N]	# OF BACK CUSHIONS	# OF SEAT CUSHIONS	ACCENT PILLOWS	REGULAR ACCENT PILLOWS DIAMETER	LARGER ACCENT PILLOW DIAMETER	ARM HEIGHT W/ SEAT CUSHION [O]	ARM HEIGHT W/O SEAT CUSHION [P]	ARM WIDTH [Q]	SLEEPER DEPTH OVERALL [R]	SLEEPER DEPTH INSIDE [S]
183CM CLASSIC RIGHT-ARM BENCH-SEAT SOFA*	183	102	86	76	51	57	5	44	28	165	61	74	34	25	48	2	1	0	-	-	6	29	18	-	-
183CM LUXE LEFT-ARM BENCH-SEAT SOFA*	183	117	86	76	51	57	5	44	28	165	76	89	36	25	48	2	1	0	-	-	6	29	18	-	-
183CM LUXE RIGHT-ARM BENCH-SEAT SOFA*	183	117	86	76	51	57	5	44	28	165	76	89	36	25	48	2	1	0	-	-	6	29	18	-	-
213CM PETTITE LEFT-ARM BENCH-SEAT SOFA*	213	93	77	72	49	53	4	43	27	201	52	66	29	23	46	2	1	0	-	-	4	26	13	-	-
213CM PETTITE RIGHT-ARM BENCH-SEAT SOFA*	213	93	77	72	49	53	4	43	27	201	52	66	29	23	46	2	1	0	-	-	4	26	13	-	-
213CM CLASSIC LEFT-ARM BENCH-SEAT SOFA*	213	102	86	76	51	57	5	44	28	196	61	74	34	25	48	2	1	0	-	-	6	29	18	-	-
213CM CLASSIC RIGHT-ARM BENCH-SEAT SOFA*	213	102	86	76	51	57	5	44	28	196	61	74	34	25	48	2	1	0	-	-	6	29	18	-	-
213CM LUXE LEFT-ARM BENCH-SEAT SOFA*	213	117	86	76	51	57	5	44	28	196	76	89	36	25	48	2	1	0	-	-	6	29	18	-	-
213CM LUXE RIGHT-ARM BENCH-SEAT SOFA*	213	117	86	76	51	57	5	44	28	196	76	89	36	25	48	2	1	0	-	-	6	29	18	-	-
244CM PETTITE LEFT-ARM BENCH-SEAT SOFA*	244	93	77	72	49	53	4	43	27	231	52	66	29	23	46	2	1	0	-	-	4	26	13	-	-
244CM PETTITE RIGHT-ARM BENCH-SEAT SOFA*	244	93	77	72	49	53	4	43	27	231	52	66	29	23	46	2	1	0	-	-	4	26	13	-	-
244CM CLASSIC LEFT-ARM BENCH-SEAT SOFA*	244	102	86	76	51	57	5	44	28	226	61	74	34	25	48	2	1	0	-	-	6	29	18	-	-
244CM CLASSIC RIGHT-ARM BENCH-SEAT SOFA*	244	102	86	76	51	57	5	44	28	226	61	74	34	25	48	2	1	0	-	-	6	29	18	-	-
244CM LUXE LEFT-ARM BENCH-SEAT SOFA*	244	117	86	76	51	57	5	44	28	226	76	89	36	25	48	2	1	0	-	-	6	29	18	-	-

* ALSO AVAILABLE WITH 2 SEAT CUSHIONS

MAXWELL COLLECTION



All dimensions are given in cm; all weights are given in kg. See the attached "Dimensions Diagram" sheet for more information on the keys used in this chart.

	OVERALL WIDTH [A]	OVERALL DEPTH [B]	OVERALL HEIGHT [C]	FRAME HEIGHT [D]	SEAT HEIGHT [E]	ARM HEIGHT [F]	FOOT HEIGHT [G]	SEAT HEIGHT (FLOOR TO CUSHION SEAM) [H]	SEAT HEIGHT (FLOOR TO FRAME) [I]	INSIDE SEAT WIDTH [J]	INSIDE SEAT DEPTH W/ BACK CUSHION [K]	INSIDE SEAT DEPTH W/O BACK CUSHION [L]	INSIDE BACK HEIGHT W/ SEAT & BACK CUSHIONS [M]	INSIDE BACK HEIGHT W/ SEAT CUSHION [N]	# OF BACK CUSHIONS	# OF SEAT CUSHIONS	ACCENT PILLOWS	REGULAR ACCENT PILLOWS DIAMETER	LARGER ACCENT PILLOW DIAMETER	ARM HEIGHT W/ SEAT CUSHION [O]	ARM HEIGHT W/O SEAT CUSHION [P]	ARM WIDTH [Q]	SLEEPER DEPTH OVERALL [R]	SLEEPER DEPTH INSIDE [S]	
244CM LUXE RIGHT-ARM BENCH- SEAT SOFA*	244	117	86	76	51	57	5	44	28	226	76	89	36	25	48	2	1	0	-	-	6	29	18	-	-
274CM PETTITE LEFT-ARM BENCH- SEAT SOFA*	274	93	77	72	49	53	4	43	27	262	52	66	29	23	46	2	1	0	-	-	4	26	13	-	-
274CM PETTITE RIGHT-ARM BENCH- SEAT SOFA*	274	93	77	72	49	53	4	43	27	262	52	66	29	23	46	2	1	0	-	-	4	26	13	-	-
274CM CLASSIC LEFT-ARM BENCH- SEAT SOFA*	274	102	86	76	51	57	5	44	28	257	61	74	34	25	48	2	1	0	-	-	6	29	18	-	-
274CM CLASSIC RIGHT-ARM BENCH-SEAT SOFA*	274	102	86	76	51	57	5	44	28	257	61	74	34	25	48	2	1	0	-	-	6	29	18	-	-
274CM LUXE LEFT-ARM BENCH- SEAT SOFA*	274	117	86	76	51	57	5	44	28	257	76	89	36	25	48	2	1	0	-	-	6	29	18	-	-
274CM LUXE RIGHT-ARM BENCH- SEAT SOFA*	274	117	86	76	51	57	5	44	28	257	76	89	36	25	48	2	1	0	-	-	6	29	18	-	-
213CM PETTITE LEFT-ARM RETURN BENCH-SEAT SOFA*	213	93	77	72	49	53	4	43	27	170	52	66	29	23	46	3	1	0	-	-	4	26	13	-	-
213CM PETTITE RIGHT-ARM RETURN BENCH-SEAT SOFA*	213	93	77	72	49	53	4	43	27	170	52	66	29	23	46	3	1	0	-	-	4	26	13	-	-
213CM CLASSIC LEFT-ARM RETURN BENCH-SEAT SOFA*	213	102	86	76	51	57	5	44	28	170	61	74	34	25	48	3	1	0	-	-	6	29	18	-	-
213CM CLASSIC RIGHT-ARM RETURN BENCH-SEAT SOFA*	213	102	86	76	51	57	5	44	28	170	61	74	34	25	48	3	1	0	-	-	6	29	18	-	-
213CM LUXE LEFT-ARM RETURN BENCH-SEAT SOFA*	213	117	86	76	51	57	5	44	28	173	76	89	36	25	48	3	1	0	-	-	6	29	18	-	-
213CM LUXE RIGHT-ARM RETURN BENCH-SEAT SOFA*	213	117	86	76	51	57	5	44	28	173	76	89	36	25	48	3	1	0	-	-	6	29	18	-	-
244CM PETTITE LEFT-ARM RETURN BENCH-SEAT SOFA*	244	93	77	72	49	53	4	43	27	201	52	66	29	23	46	3	1	0	-	-	4	26	13	-	-

* ALSO AVAILABLE WITH 2 SEAT CUSHIONS

MAXWELL COLLECTION



All dimensions are given in cm; all weights are given in kg. See the attached "Dimensions Diagram" sheet for more information on the keys used in this chart.

	OVERALL WIDTH [A]	OVERALL DEPTH [B]	OVERALL HEIGHT [C]	FRAME HEIGHT [D]	SEAT HEIGHT [E]	ARM HEIGHT [F]	FOOT HEIGHT [G]	SEAT HEIGHT (FLOOR TO CUSHION SEAM) [H]	SEAT HEIGHT (FLOOR TO FRAME) [I]	INSIDE SEAT WIDTH [J]	INSIDE SEAT DEPTH W/ BACK CUSHION [K]	INSIDE SEAT DEPTH W/O BACK CUSHION [L]	INSIDE BACK HEIGHT W/ SEAT & BACK CUSHIONS [M]	INSIDE BACK HEIGHT W/ SEAT CUSHION [N]	INSIDE BACK HEIGHT W/O SEAT OR BACK CUSHION [N]	# OF BACK CUSHIONS	# OF SEAT CUSHIONS	ACCENT PILLOWS	REGULAR ACCENT PILLOWS DIAMETER	LARGER ACCENT PILLOW DIAMETER	ARM HEIGHT W/ SEAT CUSHION [O]	ARM HEIGHT W/O SEAT CUSHION [P]	ARM WIDTH [Q]	SLEEPER DEPTH OVERALL [R]	SLEEPER DEPTH INSIDE [S]
244CM PETTTE RIGHT-ARM RETURN BENCH-SEAT SOFA*	244	93	77	72	49	53	4	43	27	201	52	66	29	23	46	3	1	0	-	-	4	26	13	-	-
244CM CLASSIC LEFT-ARM RETURN BENCH-SEAT SOFA*	244	102	86	76	51	57	5	44	28	201	61	74	34	25	48	3	1	0	-	-	6	29	18	-	-
244CM CLASSIC RIGHT-ARM RETURN BENCH-SEAT SOFA*	244	102	86	76	51	57	5	44	28	201	61	74	34	25	48	3	1	0	-	-	6	29	18	-	-
244CM LUXE LEFT-ARM RETURN BENCH-SEAT SOFA*	244	117	86	76	51	57	5	44	28	203	76	89	36	25	48	3	1	0	-	-	6	29	18	-	-
244CM LUXE RIGHT-ARM RETURN BENCH-SEAT SOFA*	244	117	86	76	51	57	5	44	28	203	76	89	36	25	48	3	1	0	-	-	6	29	18	-	-
274CM PETTTE LEFT-ARM RETURN BENCH-SEAT SOFA*	274	93	77	72	49	53	4	43	27	231	52	66	29	23	46	3	1	0	-	-	4	26	13	-	-
274CM PETTTE RIGHT-ARM RETURN BENCH-SEAT SOFA*	274	93	77	72	49	53	4	43	27	231	52	66	29	23	46	3	1	0	-	-	4	26	13	-	-
274CM CLASSIC LEFT-ARM RETURN BENCH-SEAT SOFA*	274	102	86	76	51	57	5	44	28	231	61	74	34	25	48	3	1	0	-	-	6	29	18	-	-
274CM CLASSIC RIGHT-ARM RETURN BENCH-SEAT SOFA*	274	102	86	76	51	57	5	44	28	231	61	74	34	25	48	3	1	0	-	-	6	29	18	-	-
274CM LUXE LEFT-ARM RETURN BENCH-SEAT SOFA*	274	117	86	76	51	57	5	44	28	234	76	89	36	25	48	3	1	0	-	-	6	29	18	-	-
274CM LUXE RIGHT-ARM RETURN BENCH-SEAT SOFA*	274	117	86	76	51	57	5	44	28	234	76	89	36	25	48	3	1	0	-	-	6	29	18	-	-
PETTTE LEFT-ARM CHAISE	74	165	77	72	49	53	4	43	27	61	137	155	29	23	46	1	1	0	-	-	4	26	13	-	-
PETTTE RIGHT-ARM CHAISE	74	165	77	72	49	53	4	43	27	61	137	155	29	23	46	1	1	0	-	-	4	26	13	-	-
CLASSIC LEFT-ARM CHAISE	81	178	86	76	51	57	5	44	28	64	137	155	34	25	48	1	1	0	-	-	6	29	18	-	-

* ALSO AVAILABLE WITH 2 SEAT CUSHIONS

MAXWELL COLLECTION



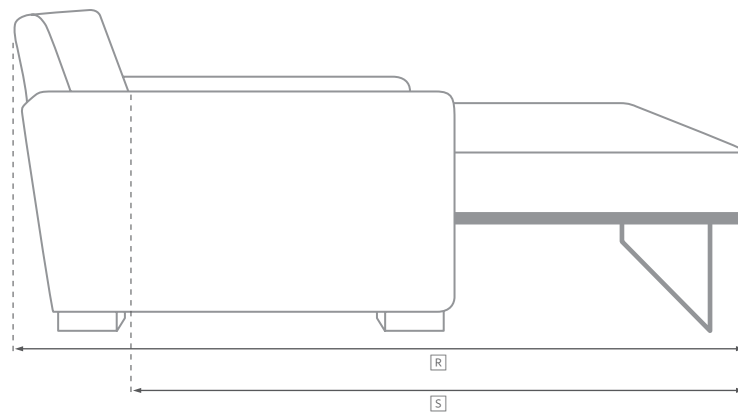
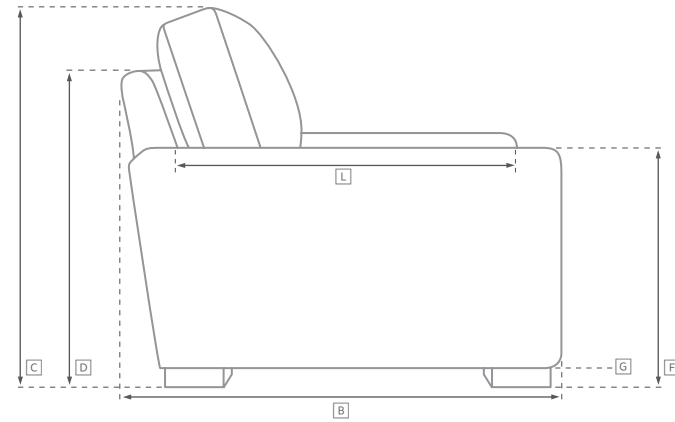
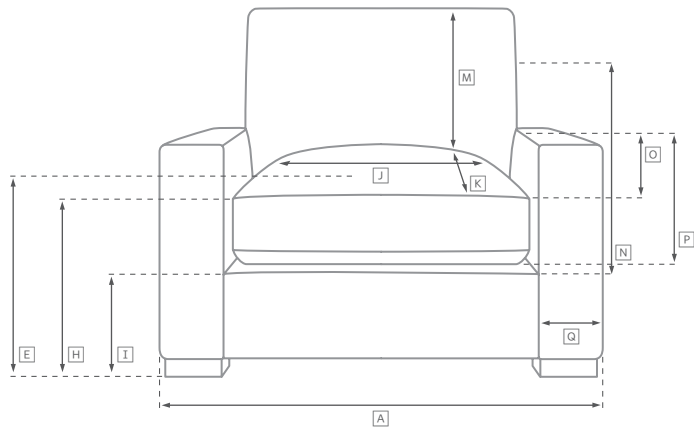
All dimensions are given in cm; all weights are given in kg. See the attached "Dimensions Diagram" sheet for more information on the keys used in this chart.

	A	B	C	D	E	F	G	H	I	J	K	L													
	OVERALL WIDTH	OVERALL DEPTH	OVERALL HEIGHT	FRAME HEIGHT	SEAT HEIGHT	ARM HEIGHT	FOOT HEIGHT	SEAT HEIGHT (FLOOR TO CUSHION SEAM)	SEAT HEIGHT (FLOOR TO FRAME)	INSIDE SEAT WIDTH	INSIDE SEAT DEPTH W/ BACK CUSHION	INSIDE SEAT DEPTH W/O BACK CUSHION	INSIDE BACK HEIGHT W/ SEAT & BACK CUSHIONS	INSIDE BACK HEIGHT W/ SEAT CUSHION	INSIDE BACK HEIGHT W/O SEAT OR BACK CUSHION	# OF BACK CUSHIONS	# OF SEAT CUSHIONS	ACCENT PILLOWS	REGULAR ACCENT PILLOWS DIAMETER	LARGER ACCENT PILLOW DIAMETER	ARM HEIGHT W/ SEAT CUSHION	ARM HEIGHT W/O SEAT CUSHION	ARM WIDTH	SLEEPER DEPTH OVERALL	SLEEPER DEPTH INSIDE
CLASSIC RIGHT-ARM CHAISE	81	178	86	76	51	57	5	44	28	64	137	155	34	25	48	1	1	0	-	-	6	29	18	-	-
LUXE LEFT-ARM CHAISE	97	178	86	76	51	57	5	44	28	79	135	155	36	25	48	1	1	0	-	-	6	29	18	-	-
LUXE RIGHT-ARM CHAISE	97	178	86	76	51	57	5	44	28	79	135	155	36	25	48	1	1	0	-	-	6	29	18	-	-

UPHOLSTERY DIMENSIONS DIAGRAM

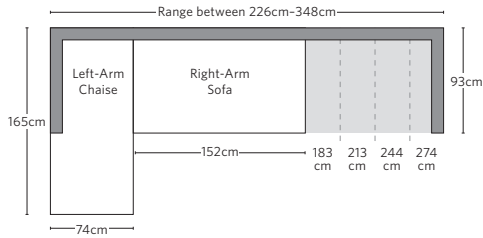
See the "Dimensions Sheet" for the measurements that correspond with the letters below.

RH

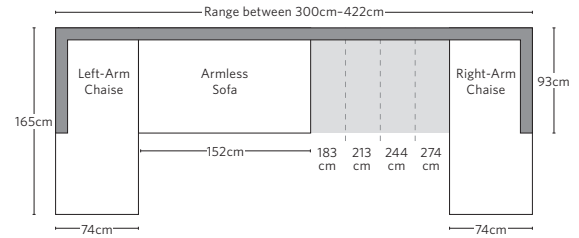


SOFA CHAISE SECTIONAL

Available in left- and right-arm configurations.

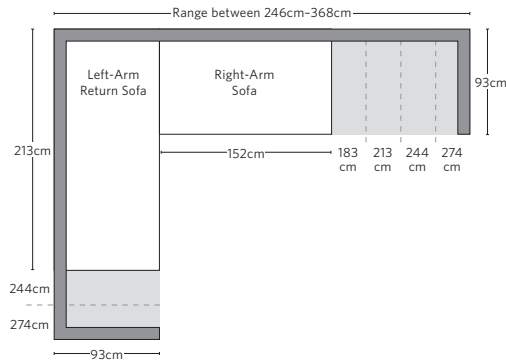


U-CHAISE SECTIONAL



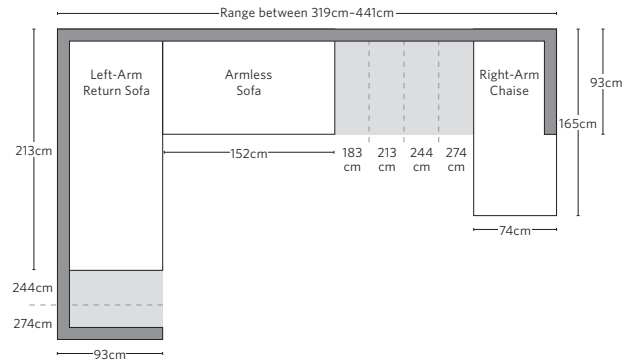
L-SECTIONAL

Available in left- and right-arm configurations.

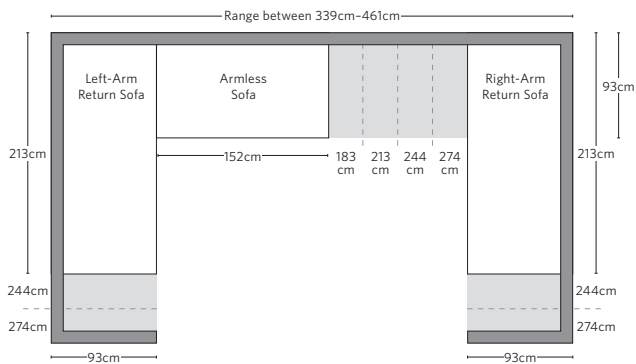


U-SOFA CHAISE SECTIONAL

Available in left- and right-arm configurations.



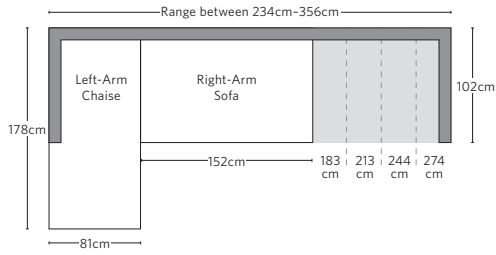
U-SOFA SECTIONAL



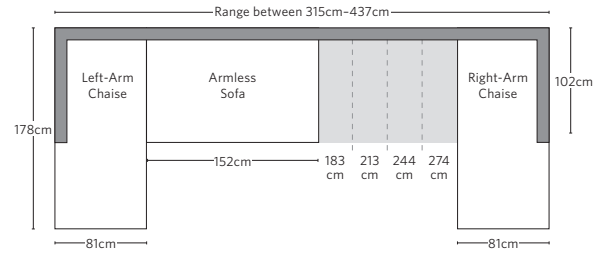
Multiple length options available.

SOFA CHAISE SECTIONAL

Available in left- and right-arm configurations.

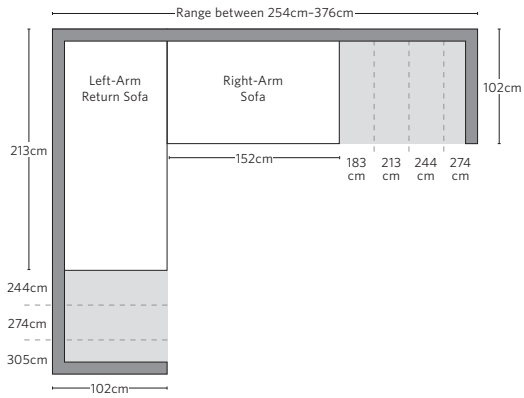


U-CHAISE SECTIONAL



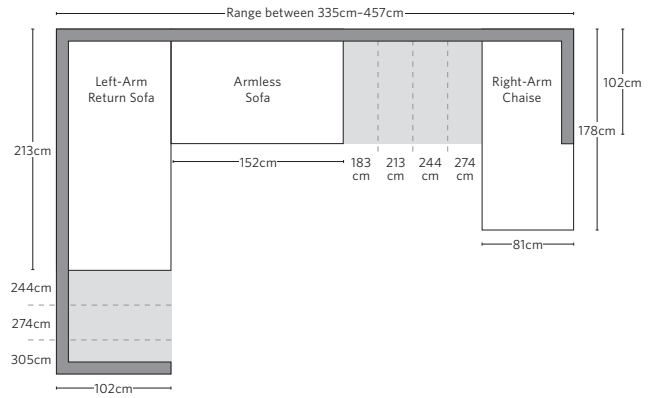
L-SECTIONAL

Available in left- and right-arm configurations.

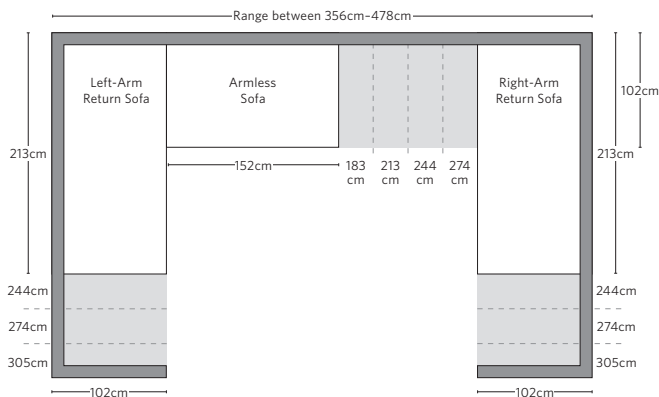


U-SOFA CHAISE SECTIONAL

Available in left- and right-arm configurations.



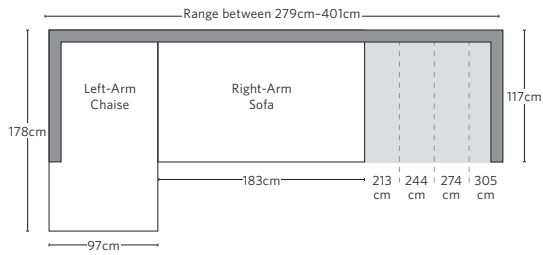
U-SOFA SECTIONAL



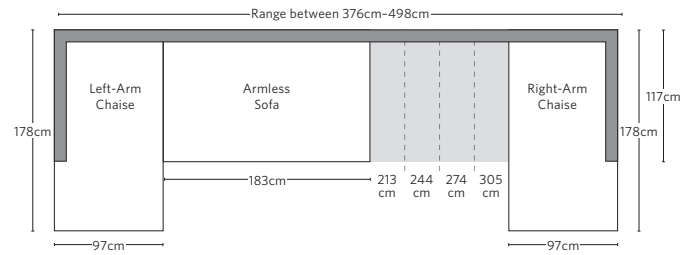
Multiple length options available.

SOFA CHAISE SECTIONAL

Available in left- and right-arm configurations.

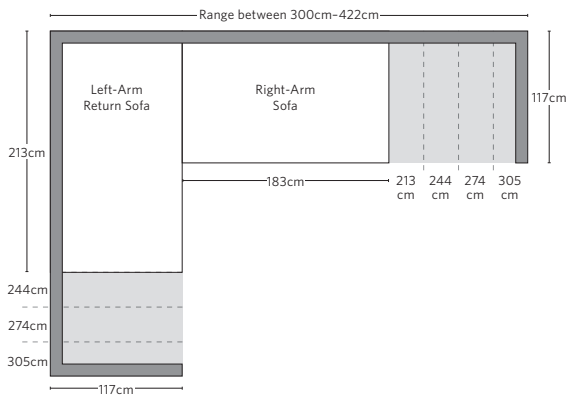


U-CHAISE SECTIONAL



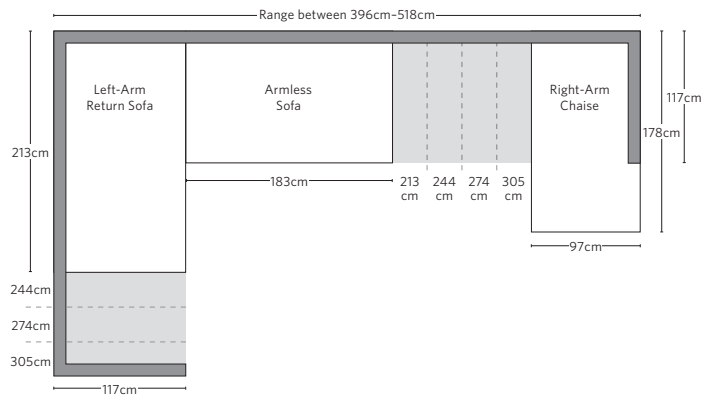
L-SECTIONAL

Available in left- and right-arm configurations.

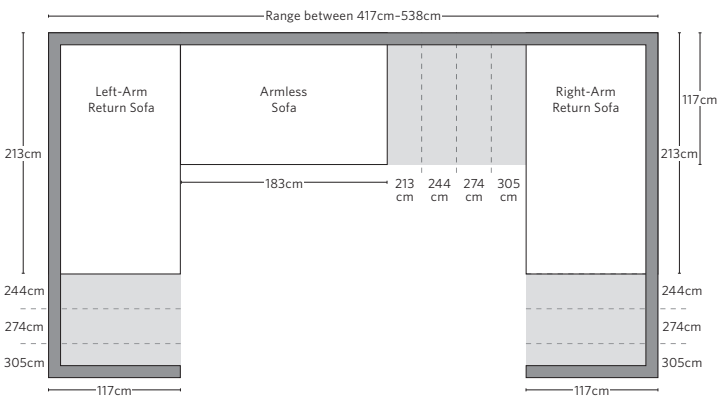


U-SOFA CHAISE SECTIONAL

Available in left- and right-arm configurations.



U-SOFA SECTIONAL



Multiple length options available.

HOW WE MEASURE

We provide overall measurements (height, width and depth) for all our furniture. Furniture is measured at the tallest, deepest and widest points of the product, including overhangs, angles, outward curves, and arms.

RH

