

MAYA TEAK SEATING COLLECTION

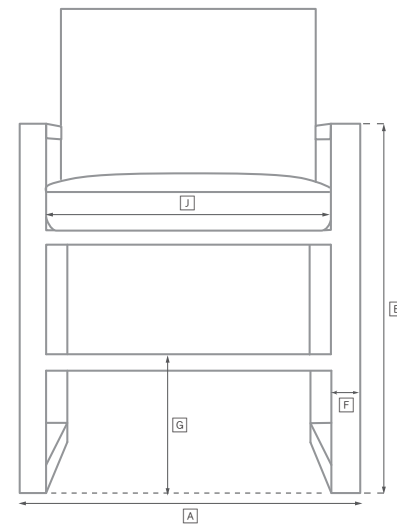
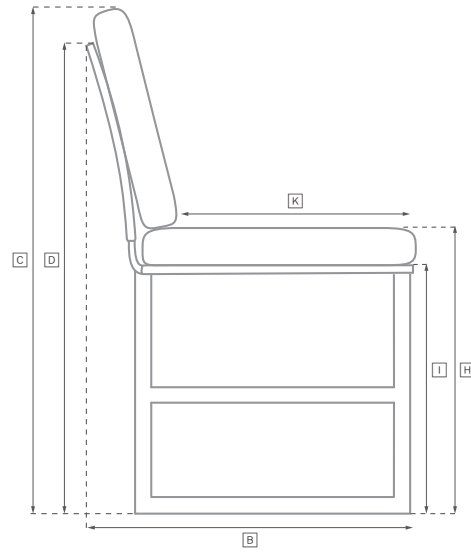
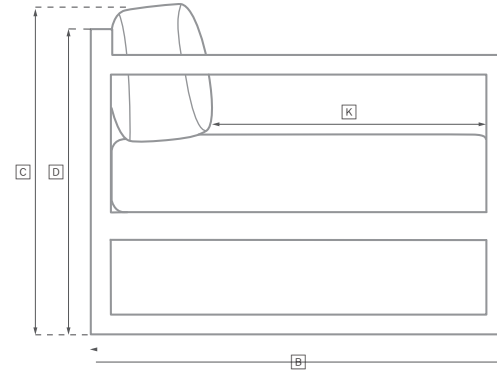
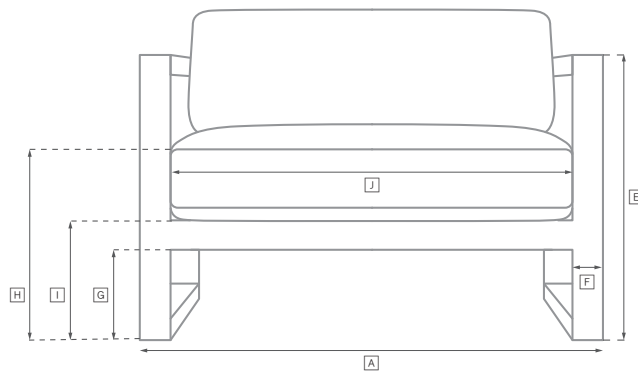


All dimensions are given in cm; all weights are given in kg. See the attached "Dimensions Diagram" sheet for more information on the keys used in this chart.

	OVERALL WIDTH A	OVERALL DEPTH B	OVERALL HEIGHT W/ CUSHION C	FRAME HEIGHT D	ARM HEIGHT E	ARM WIDTH F	FOOT HEIGHT G	SEAT HEIGHT W/ CUSHION H	SEAT HEIGHT (FLOOR TO FRAME) I	INSIDE SEAT WIDTH J	INSIDE SEAT DEPTH K	# OF BACK CUSHIONS	# OF SEAT CUSHIONS	WEIGHT
159CM SOFA	159	94	66	65	-	-	7	38	17	159	76	2	1	52.2
236CM SOFA	236	94	66	65	-	-	7	38	17	236	76	3	1	73.9
CORNER CHAIR	94	94	66	65	-	-	7	38	17	75	75	2	1	39.9
LOUNGE CHAIR	75	94	66	65	-	-	7	38	17	75	76	1	1	30.8
SWIVEL LOUNGE CHAIR	75	94	66	65	-	-	7	38	17	75	76	1	1	37.2
OTTOMAN	75	75	38	17	-	-	7	38	17	75	75	-	1	22.2
CHAISE	75	200	25	17	-	-	8	25	17	128	75	1	1	49.0
DOUBLE CHAISE	147	200	25	17	-	-	8	25	17	128	75	1	1	74.8

OUTDOOR SEATING DIMENSIONS DIAGRAM

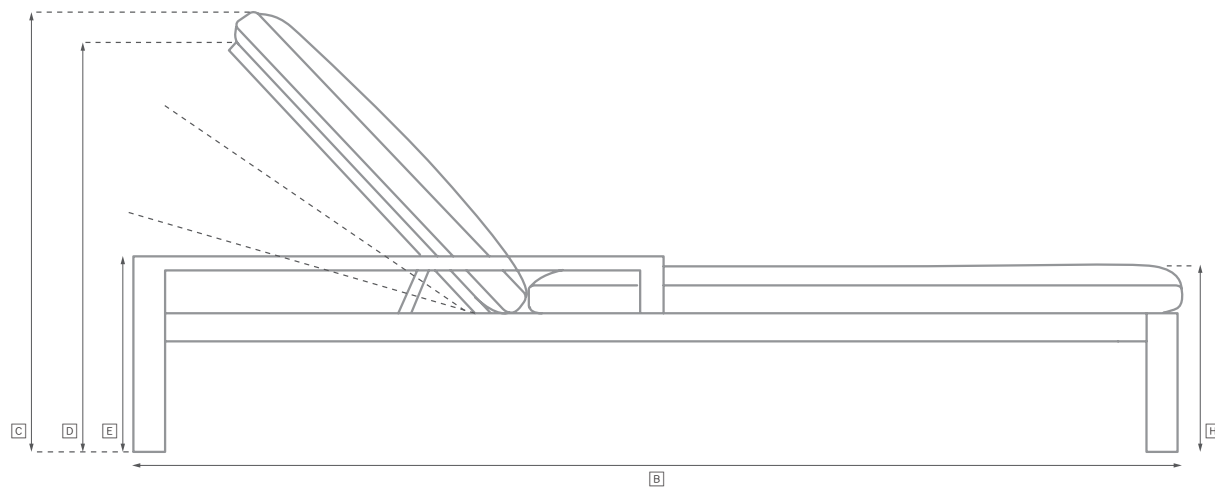
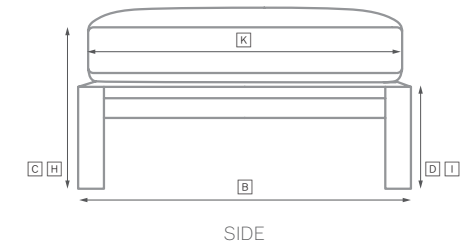
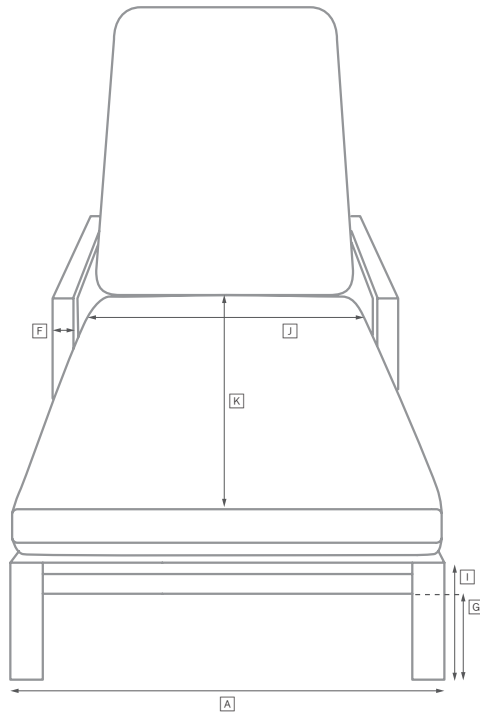
See the "Dimensions Sheet" for the measurements that correspond with the letters below.



OUTDOOR SEATING DIMENSIONS DIAGRAM

See the "Dimensions Sheet" for the measurements that correspond with the letters below.

RH

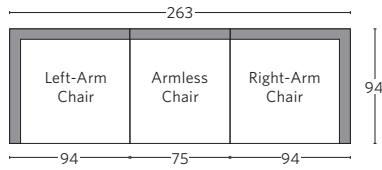


MAYA TEAK SECTIONALS

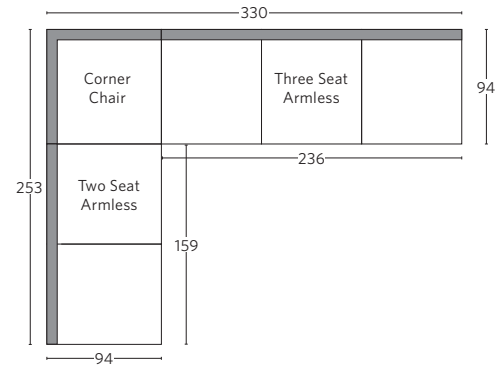
All dimensions are given in centimeters.

RH

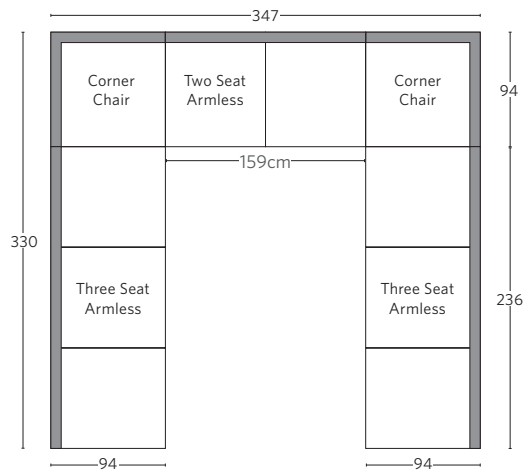
MODULAR SOFA



MODULAR L-SECTIONAL WITH CORNER CHAIR

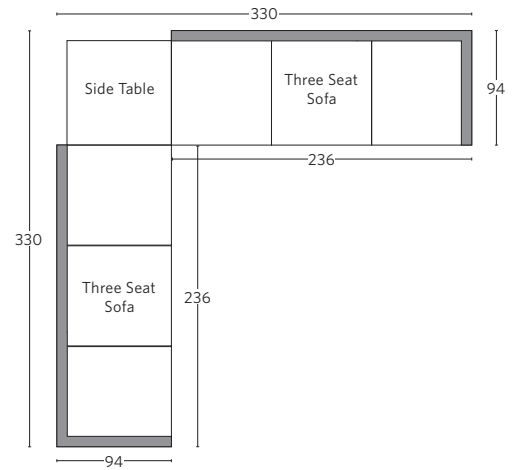


MODULAR U-SOFA SECTIONAL WITH CORNER CHAIRS



MODULAR L-SECTIONAL WITH SQUARE SIDE TABLE

Available in left- and right-arm configurations.



MODULAR U-SOFA SECTIONAL WITH SQUARE SIDE TABLES

