

MARBELLA TEAK SEATING COLLECTION



All dimensions are given in cm; all weights are given in kg. See the attached "Dimensions Diagram" sheet for more information on the keys used in this chart.

	OVERALL WIDTH A	OVERALL DEPTH B	OVERALL HEIGHT W/ CUSHION C	FRAME HEIGHT D	ARM HEIGHT E	ARM WIDTH F	FOOT HEIGHT G	SEAT HEIGHT W/ CUSHION H	SEAT HEIGHT (FLOOR TO FRAME) I	INSIDE SEAT WIDTH J	INSIDE SEAT DEPTH K	# OF BACK CUSHIONS	# OF SEAT CUSHIONS	WEIGHT
152CM CLASSIC SOFA	152	83	64	62	46	14	3	33	20	124	70	1	1	-
159CM LUXE SOFA	159	89	69	67	50	14	3	36	23	131	75	1	1	-
213CM CLASSIC SOFA	213	83	64	62	46	14	3	33	20	185	70	2	1	-
220CM LUXE SOFA	220	89	69	67	50	14	3	36	23	192	75	2	1	-
274CM CLASSIC SOFA	274	83	64	62	46	14	3	33	20	246	70	2	1	-
281CM LUXE SOFA	281	89	69	67	50	14	3	36	23	253	75	2	1	-
CLASSIC LOUNGE CHAIR	94	83	64	62	46	14	3	33	20	66	70	1	1	-
LUXE LOUNGE CHAIR	100	89	69	67	50	14	3	36	23	72	75	1	1	-
CLASSIC SWIVEL LOUNGE CHAIR	94	83	64	62	46	14	3	33	20	66	70	1	1	-
LUXE SWIVEL LOUNGE CHAIR	100	89	69	67	50	14	3	36	23	72	75	1	1	-
OTTOMAN	83	83	33	20	-	-	3	33	20	83	83	-	1	-
COFFEE OTTOMAN	132	83	33	20	-	-	3	33	20	132	83	-	1	-
CHAISE	94	199	87	81	31	14	3	25	20	66	130	1	1	-
DOUBLE CHAISE	157	199	87	81	31	14	3	25	20	130	130	2	2	-

MARBELLA TEAK SEATING COLLECTION



All dimensions are given in cm; all weights are given in kg. See the attached "Dimensions Diagram" sheet for more information on the keys used in this chart.

	OVERALL WIDTH A	OVERALL DEPTH B	OVERALL HEIGHT W/ CUSHION C	FRAME HEIGHT D	ARM HEIGHT E	ARM WIDTH F	FOOT HEIGHT G	SEAT HEIGHT W/ CUSHION H	SEAT HEIGHT (FLOOR TO FRAME) I	INSIDE SEAT WIDTH J	INSIDE SEAT DEPTH K	# OF BACK CUSHIONS	# OF SEAT CUSHIONS	WEIGHT
DAYBED	211	168	64	62	46	14	3	33	20	183	155	2	1	-
CLASSIC TWO-SEAT ARMLESS SOFA	132	83	64	62	-	-	3	33	20	132	70	1	1	-
LUXE TWO-SEAT ARMLESS SOFA	142	89	69	67	-	-	3	36	23	142	75	1	1	-
CLASSIC THREE-SEAT ARMLESS SOFA	198	83	64	62	46	14	3	33	20	198	70	2	1	-
LUXE THREE-SEAT ARMLESS SOFA	221	89	69	67	50	14	3	36	23	208	75	2	1	-
CLASSIC TWO-SEAT LEFT-ARM SOFA	146	83	64	62	46	14	3	33	20	132	70	1	1	-
LUXE TWO-SEAT LEFT-ARM SOFA	156	89	69	67	50	14	3	36	23	142	75	1	1	-
CLASSIC TWO-SEAT RIGHT-ARM SOFA	146	83	64	62	46	14	3	33	20	132	70	1	1	-
LUXE TWO-SEAT RIGHT-ARM SOFA	156	89	69	67	50	14	3	36	23	142	75	1	1	-
CLASSIC THREE-SEAT RETURN LEFT-ARM SOFA	229	83	64	62	46	14	3	33	20	213	70	3	1	-
LUXE THREE-SEAT RETURN LEFT-ARM SOFA	231	89	69	67	50	14	3	36	23	225	75	3	1	-
CLASSIC THREE-SEAT RETURN RIGHT-ARM SOFA	229	83	64	62	46	14	3	33	20	213	70	3	1	-
LUXE THREE-SEAT RETURN RIGHT-ARM SOFA	231	89	69	67	50	14	3	36	23	225	75	3	1	-
CLASSIC THREE-SEAT LEFT-ARM SOFA	212	83	64	62	46	14	3	33	20	198	70	2	1	-

MARBELLA TEAK SEATING COLLECTION



All dimensions are given in cm; all weights are given in kg. See the attached "Dimensions Diagram" sheet for more information on the keys used in this chart.

	OVERALL WIDTH A	OVERALL DEPTH B	OVERALL HEIGHT W/ CUSHION C	FRAME HEIGHT D	ARM HEIGHT E	ARM WIDTH F	FOOT HEIGHT G	SEAT HEIGHT W/ CUSHION H	SEAT HEIGHT (FLOOR TO FRAME) I	INSIDE SEAT WIDTH J	INSIDE SEAT DEPTH K	# OF BACK CUSHIONS	# OF SEAT CUSHIONS	WEIGHT
LUXE THREE-SEAT LEFT-ARM SOFA	222	89	69	67	50	14	3	36	23	208	75	2	1	-
CLASSIC THREE-SEAT RIGHT-ARM SOFA	212	83	64	62	46	14	3	33	20	198	70	2	1	-
LUXE THREE-SEAT RIGHT-ARM SOFA	222	89	69	67	50	14	3	36	23	208	75	2	1	-
CLASSIC FOUR-SEAT LEFT-ARM RETURN SOFA	295	83	64	62	46	14	3	33	20	274	70	3	1	-
LUXE FOUR-SEAT LEFT-ARM RETURN SOFA	301	89	69	67	50	14	3	36	23	273	75	3	1	-
CLASSIC FOUR-SEAT RIGHT-ARM RETURN SOFA	295	83	64	62	46	14	3	33	20	274	70	3	1	-
LUXE FOUR-SEAT RIGHT-ARM RETURN SOFA	301	89	69	67	50	14	3	36	23	273	75	3	1	-
CLASSIC LEFT-ARM CHAISE	80	164	64	62	46	14	3	33	20	66	150	1	1	-
LUXE LEFT-ARM CHAISE	86	183	69	67	50	14	3	25	23	72	169	1	1	-
CLASSIC RIGHT-ARM CHAISE	80	164	64	62	46	14	3	25	20	66	150	1	1	-
LUXE RIGHT-ARM CHAISE	86	183	69	67	50	14	3	36	23	72	169	1	1	-
SIDE CHAIR	53	58	81	81	-	-	34	47	43	53	47	0	1	-
ARMCHAIR	66	58	81	81	60	9	34	47	43	48	47	0	1	-
BARSTOOL	46	52	102	102	-	-	25	80	76	46	43	0	1	-

MARBELLA TEAK SEATING COLLECTION



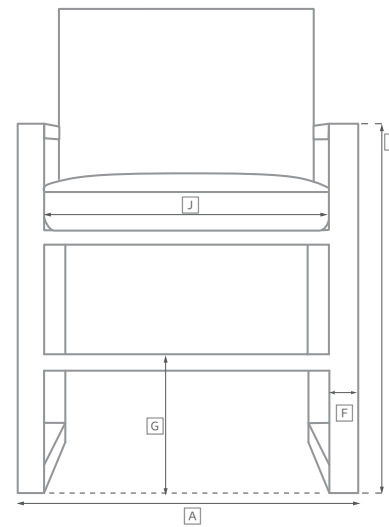
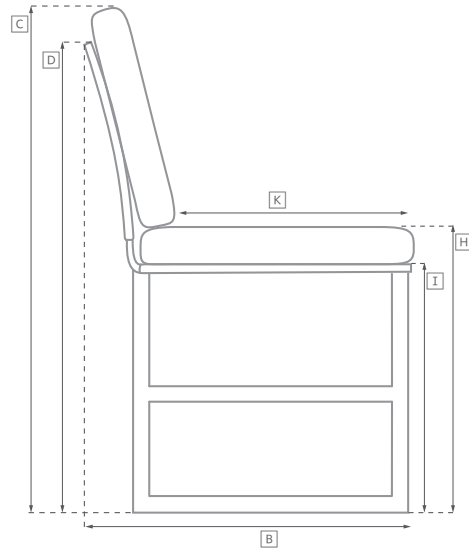
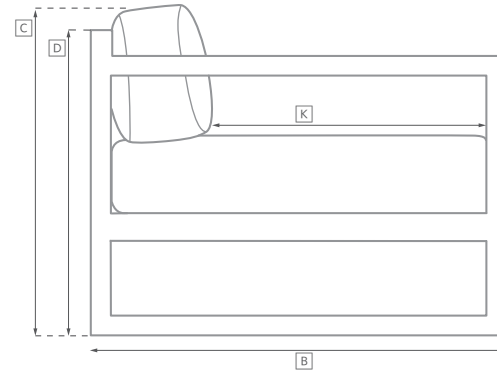
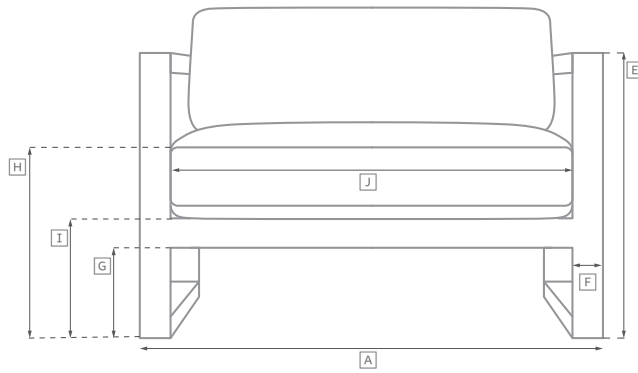
All dimensions are given in cm; all weights are given in kg. See the attached "Dimensions Diagram" sheet for more information on the keys used in this chart.

	A OVERALL WIDTH	B OVERALL DEPTH	C OVERALL HEIGHT W/ CUSHION	D FRAME HEIGHT	E ARM HEIGHT	F ARM WIDTH	G FOOT HEIGHT	H SEAT HEIGHT W/ CUSHION	I SEAT HEIGHT (FLOOR TO FRAME)	J INSIDE SEAT WIDTH	K INSIDE SEAT DEPTH	# OF BACK CUSHIONS	# OF SEAT CUSHIONS	WEIGHT
COUNTER STOOL	46	52	91	91	-	-	22	70	66	46	43	0	1	-

OUTDOOR SEATING DIMENSIONS DIAGRAM

See the "Dimensions Sheet" for the measurements that correspond with the letters below.

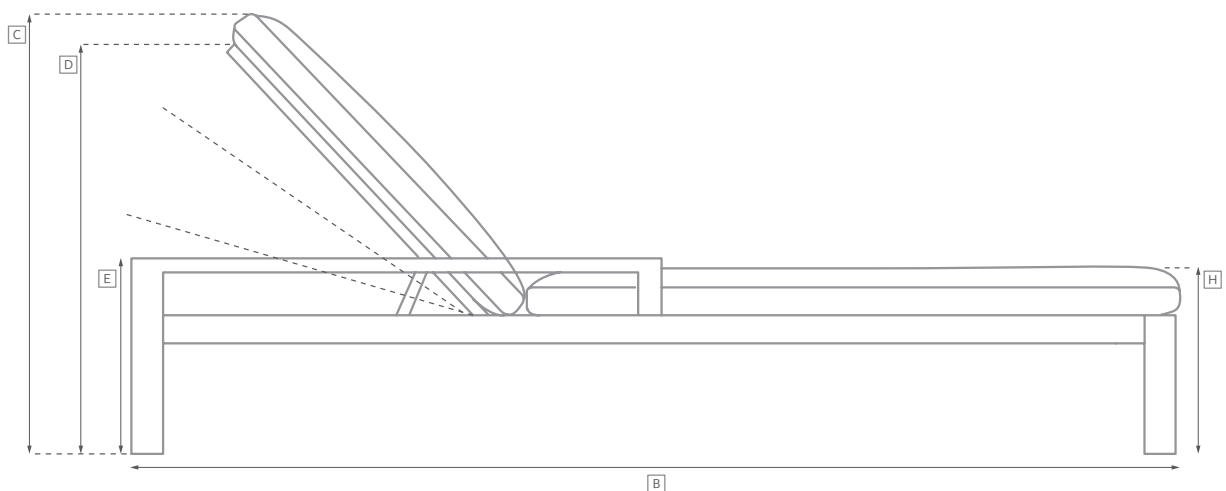
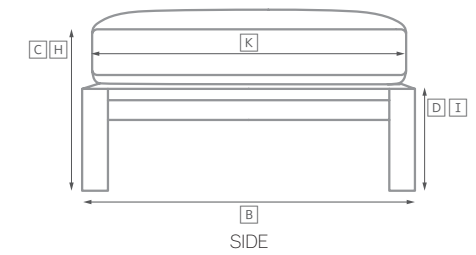
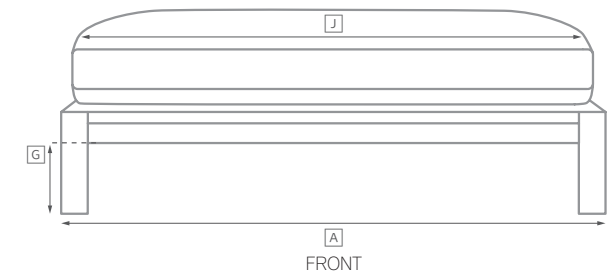
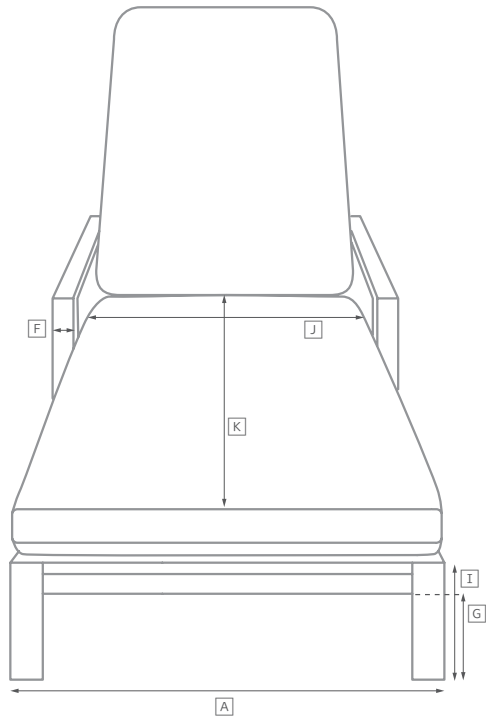
RH



OUTDOOR SEATING DIMENSIONS DIAGRAM

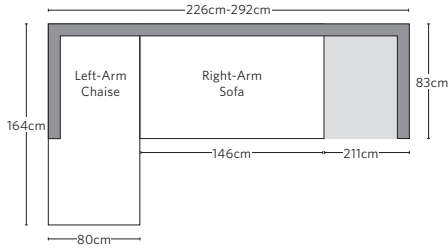
See the "Dimensions Sheet" for the measurements that correspond with the letters below.

RH

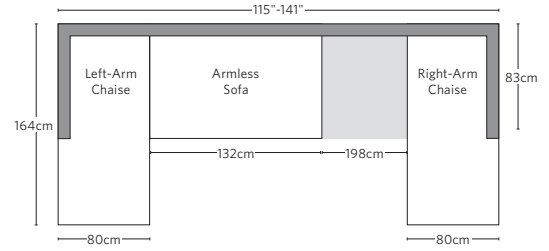


SOFA CHAISE SECTIONAL

Available in left- and right-arm configurations.

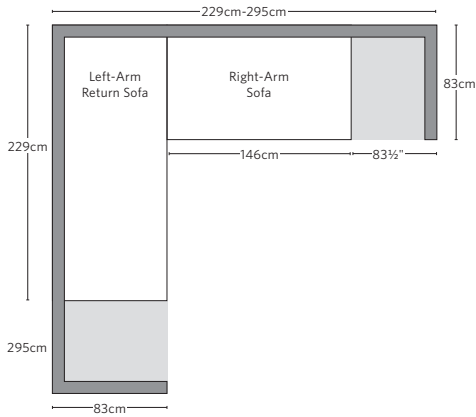


U-CHAISE SECTIONAL



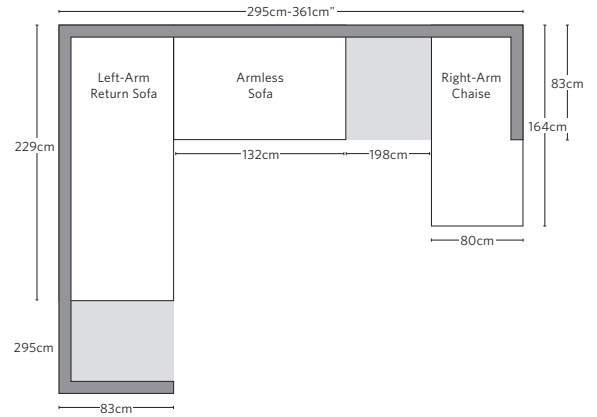
L-SECTIONAL

Available in left- and right-arm configurations.

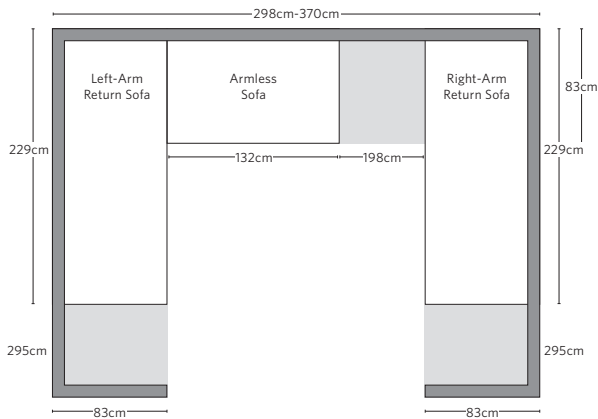


U-SOFA CHAISE SECTIONAL

Available in left- and right-arm configurations.



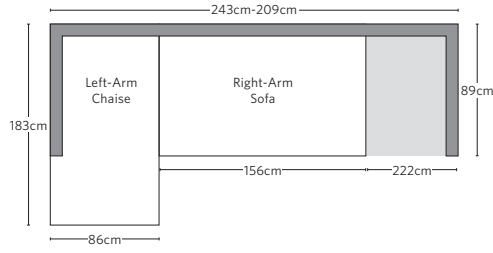
U-SOFA SECTIONAL



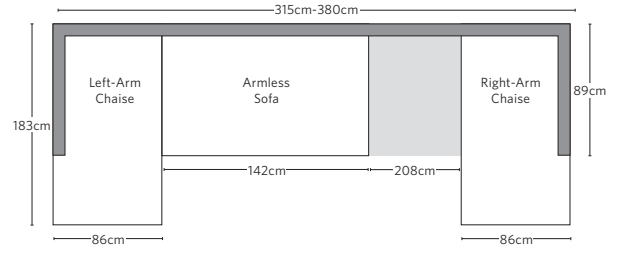
Multiple length options available.

SOFA CHAISE SECTIONAL

Available in left- and right-arm configurations.

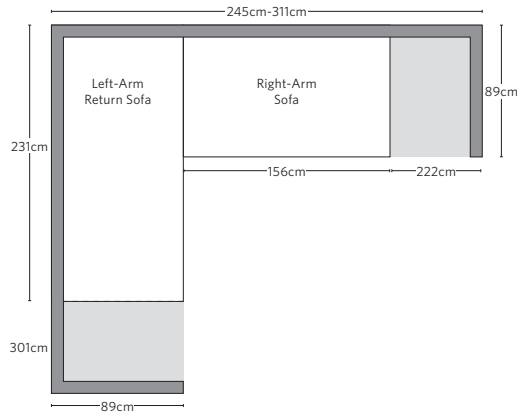


U-CHAISE SECTIONAL



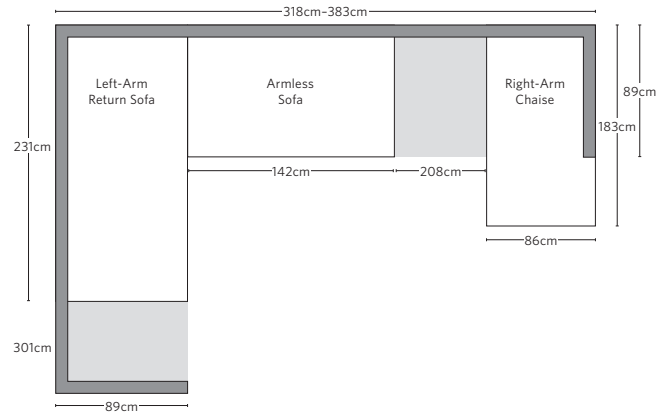
L-SECTIONAL

Available in left- and right-arm configurations.

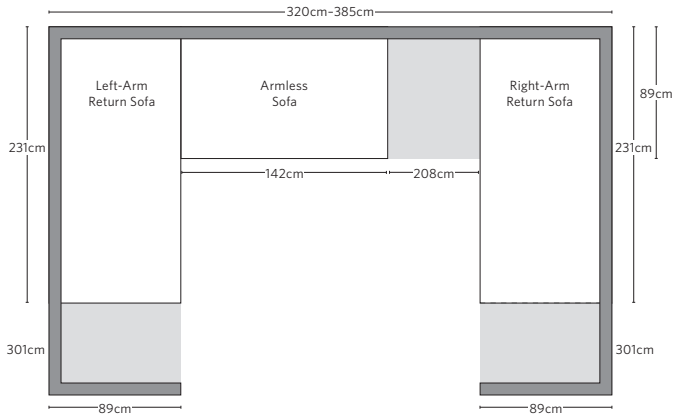


U-SOFA CHAISE SECTIONAL

Available in left- and right-arm configurations.



U-SOFA SECTIONAL



Multiple length options available.