

BONDI ALUMINUM SEATING COLLECTION

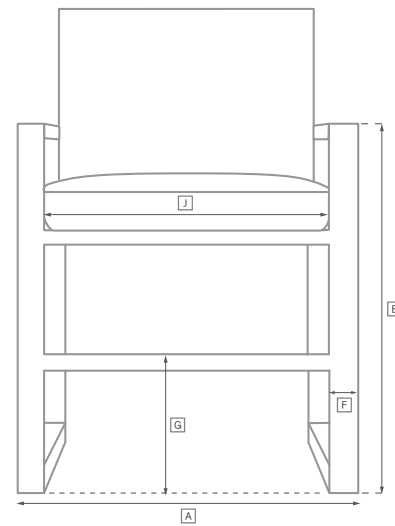
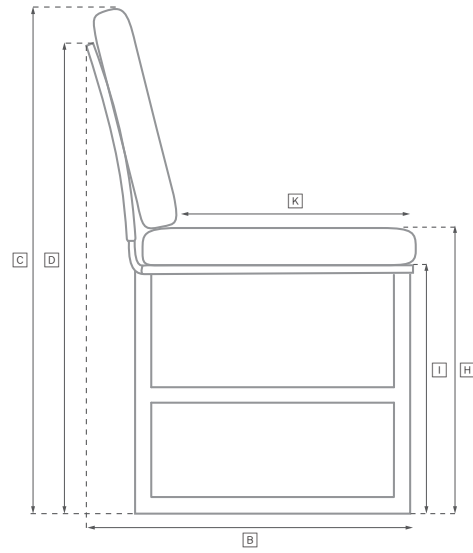
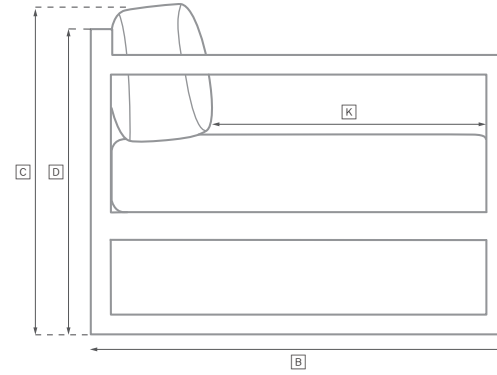
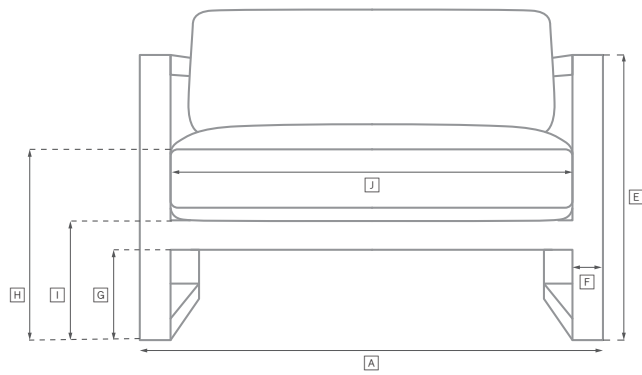


All dimensions are given in centimeters; all weights are given in kg. See the attached "Dimensions Diagram" sheet for more information on the keys used in this chart.

	OVERALL WIDTH A	OVERALL DEPTH B	OVERALL HEIGHT W/ CUSHION C	FRAME HEIGHT D	ARM HEIGHT E	ARM WIDTH F	FOOT HEIGHT G	SEAT HEIGHT W/ CUSHION H	SEAT HEIGHT (FLOOR TO FRAME) I	INSIDE SEAT WIDTH J	INSIDE SEAT DEPTH K	NUMBER OF BACK CUSHIONS	NUMBER OF SEAT CUSHIONS	WEIGHT
213CM SOFA	213	87	70	70	70	20	-	43	24	189	69	1	1	35.8
254CM SOFA	254	87	70	70	70	20	-	43	24	229	69	1	1	44.9
LOUNGE CHAIR	93	87	70	70	70	20	-	43	24	69	74	1	1	21.3
SWIVEL LOUNGE CHAIR	93	83	70	70	70	20	-	43	9	69	83	1	1	33.6
CHAISE	208	80	36	11	-	-	-	36	11	128	80	1	1	43.1
ARMCHAIR	70	62	69	70	70	12	-	48	40	55	55	1	1	10.9
DAYBED	160	168	70	70	-	-	-	43	20	160	148	1	1	56.2
ARMLESS SOFA	213	91	70	70	-	-	-	43	20	213	70	1	1	49.4
THREE-SEAT ARMLESS SOFA WITH SIDE TABLE	274	86	70	70	-	-	-	43	20	234	70	1	1	58.5

OUTDOOR SEATING DIMENSIONS DIAGRAM

See the "Dimensions Sheet" for the measurements that correspond with the letters below.



OUTDOOR SEATING DIMENSIONS DIAGRAM

See the "Dimensions Sheet" for the measurements that correspond with the letters below.

RH

