

# BELVEDERE TEAK SEATING COLLECTION



All dimensions are given in cm; all weights are given in kg. See the attached "Dimensions Diagram" sheet for more information on the keys used in this chart.

	OVERALL WIDTH A	OVERALL DEPTH B	OVERALL HEIGHT W/ CUSHION C	FRAME HEIGHT D	ARM HEIGHT E	ARM WIDTH F	FOOT HEIGHT G	SEAT HEIGHT W/ CUSHION H	SEAT HEIGHT (FLOOR TO FRAME) I	INSIDE SEAT WIDTH J	INSIDE SEAT DEPTH K	# OF BACK CUSHIONS	# OF SEAT CUSHIONS	WEIGHT
131CM CLASSIC SOFA	131	88	80	71	46	10	6	38	23	111	57	1	1	-
188CM CLASSIC SOFA	188	88	80	71	46	10	6	38	23	169	57	2	1	-
244CM CLASSIC SOFA	244	88	80	71	46	10	6	38	23	225	57	2	1	-
138CM LUXE SOFA	138	97	86	77	51	11	6	43	25	116	62	1	1	-
198CM LUXE SOFA	198	97	86	77	51	11	6	43	25	175	62	2	1	-
257CM LUXE SOFA	257	97	86	77	51	11	6	43	25	234	62	2	1	-
CLASSIC LOUNGE CHAIR	74	88	80	71	46	10	6	38	23	55	57	1	1	-
LUXE LOUNGE CHAIR	81	97	86	77	51	11	6	43	25	58	62	1	1	-
CLASSIC SWIVEL LOUNGE CHAIR	74	87	80	71	46	10	6	34	20	55	57	1	1	-
LUXE SWIVEL LOUNGE CHAIR	81	97	86	77	51	11	6	43	25	58	62	1	1	-
CLASSIC OTTOMAN	74	74	38	23	-	-	6	38	23	74	74	-	1	-
LUXE OTTOMAN	81	81	43	25	-	-	6	43	25	81	81	-	1	-
CHAISE	75	199	75	70	-	-	6	31	25	70	116	1	1	-
DOUBLE CHAISE	140	199	75	70	-	-	6	31	25	135	116	2	1	-

# BELVEDERE TEAK SEATING COLLECTION



All dimensions are given in cm; all weights are given in kg. See the attached "Dimensions Diagram" sheet for more information on the keys used in this chart.

	OVERALL WIDTH A	OVERALL DEPTH B	OVERALL HEIGHT W/ CUSHION C	FRAME HEIGHT D	ARM HEIGHT E	ARM WIDTH F	FOOT HEIGHT G	SEAT HEIGHT W/ CUSHION H	SEAT HEIGHT (FLOOR TO FRAME) I	INSIDE SEAT WIDTH J	INSIDE SEAT DEPTH K	# OF BACK CUSHIONS	# OF SEAT CUSHIONS	WEIGHT
DAYBED	152	180	76	67	-	-	6	43	25	147	163	1	1	-
CLASSIC TWO-SEAT ARMLESS SOFA	123	87	80	71	46	10	6	38	23	123	57	1	1	-
LUXE TWO-SEAT ARMLESS SOFA	130	97	86	77	-	-	6	43	25	130	62	1	1	-
CLASSIC TWO-SEAT LEFT-ARM SOFA	127	87	80	71	46	10	6	38	23	117	57	1	1	-
LUXE TWO-SEAT LEFT-ARM SOFA	133	97	86	77	51	11	6	43	25	122	62	1	1	-
CLASSIC TWO-SEAT RIGHT-ARM SOFA	127	87	80	71	46	10	6	38	23	117	57	1	1	-
LUXE TWO-SEAT RIGHT-ARM SOFA	133	97	86	77	51	11	6	43	25	122	62	1	1	-
CLASSIC FOUR-SEAT LEFT-ARM RETURN SOFA	268	87	80	71	46	10	6	38	23	241	57	3	1	-
LUXE FOUR-SEAT LEFT-ARM RETURN SOFA	291	97	86	77	51	11	6	43	25	246	62	3	1	-
CLASSIC FOUR-SEAT RIGHT-ARM RETURN SOFA	268	87	80	71	46	10	6	38	23	241	57	3	1	-
LUXE FOUR-SEAT RIGHT-ARM RETURN SOFA	291	97	86	77	51	11	6	43	25	246	62	3	1	-
DINING SIDE CHAIR	51	60	90	90	-	-	-	50	44	51	47	-	1	-
DINING ARMCHAIR	61	60	90	90	63	5	-	50	44	51	47	-	1	-
BARSTOOL	49	59	117	117	-	-	26	76	71	49	44	-	1	-

# BELVEDERE TEAK SEATING COLLECTION



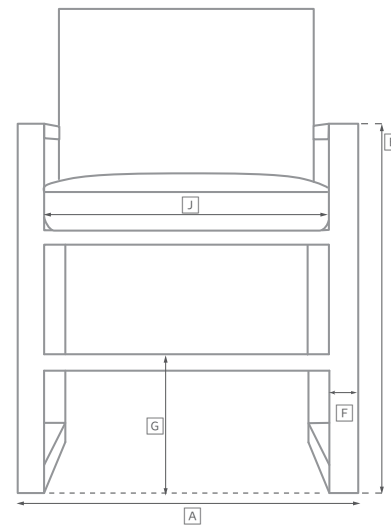
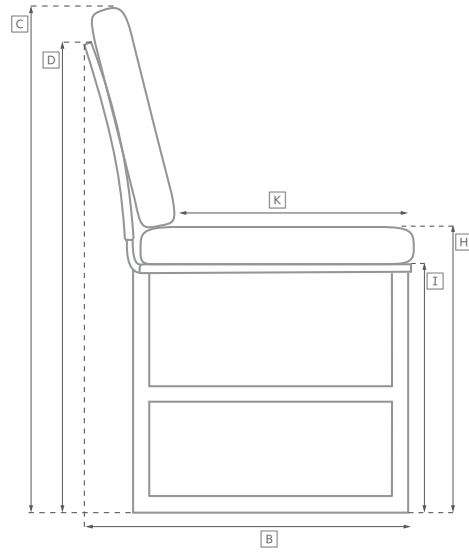
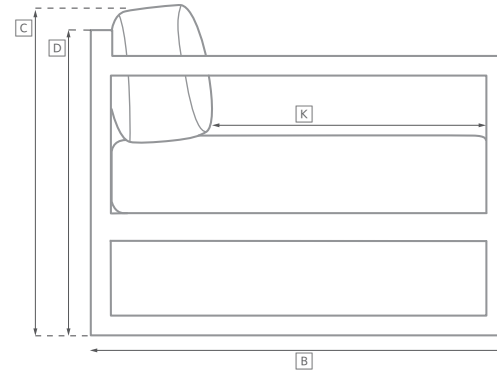
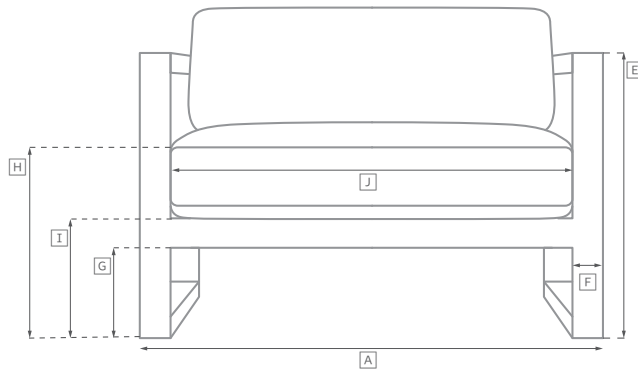
All dimensions are given in cm; all weights are given in kg. See the attached "Dimensions Diagram" sheet for more information on the keys used in this chart.

	OVERALL WIDTH A	OVERALL DEPTH B	OVERALL HEIGHT W/ CUSHION C	FRAME HEIGHT D	ARM HEIGHT E	ARM WIDTH F	FOOT HEIGHT G	SEAT HEIGHT W/ CUSHION H	SEAT HEIGHT (FLOOR TO FRAME) I	INSIDE SEAT WIDTH J	INSIDE SEAT DEPTH K	# OF BACK CUSHIONS	# OF SEAT CUSHIONS	WEIGHT
COUNTER STOOL	49	59	109	109	-	-	20	69	64	49	44	-	1	-

# OUTDOOR SEATING DIMENSIONS DIAGRAM

See the "Dimensions Sheet" for the measurements that correspond with the letters below.

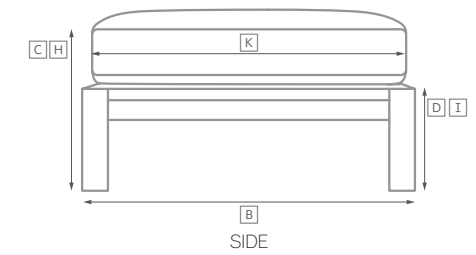
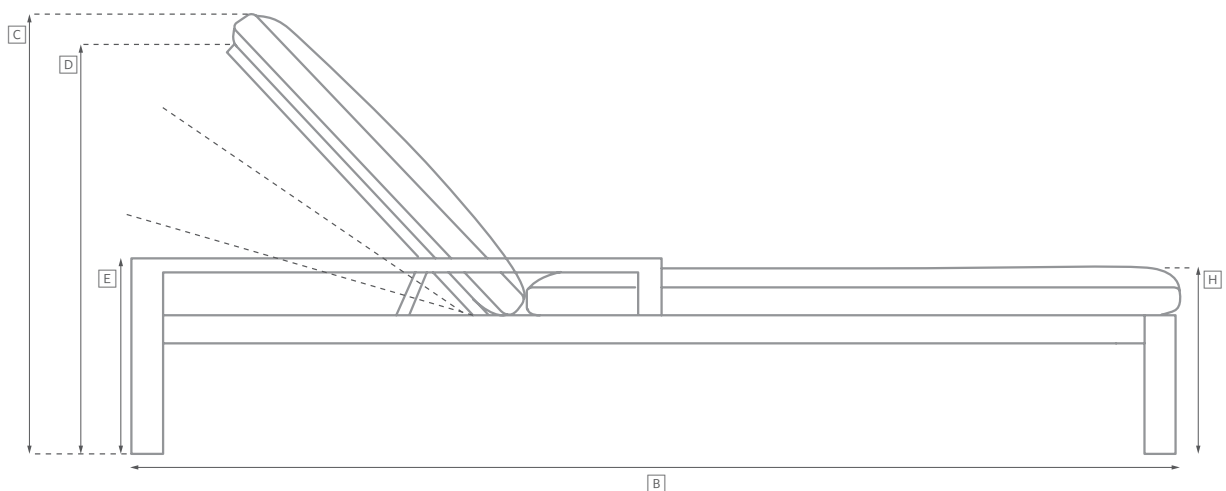
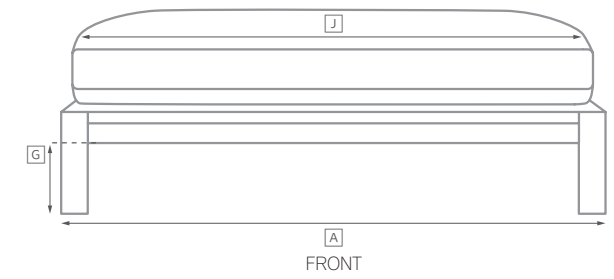
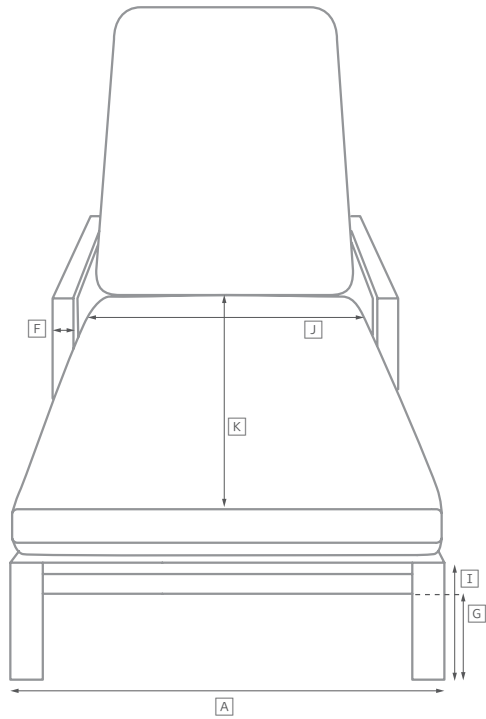
RH



# OUTDOOR SEATING DIMENSIONS DIAGRAM

See the "Dimensions Sheet" for the measurements that correspond with the letters below.

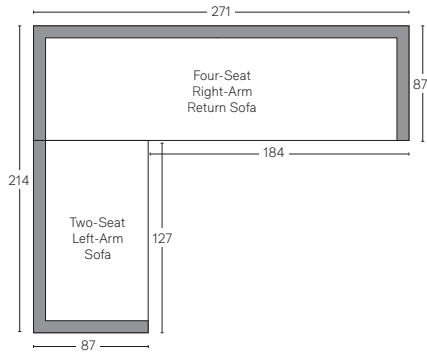
RH



L-SECTIONAL

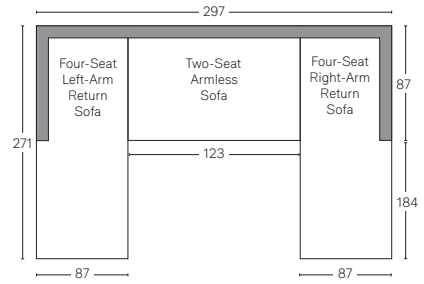
Available in left and right-arm configurations.

271cm Classic L-Sectional: 271cm W x 214cm D x 72cm H Overall



U-CHAISE SECTIONAL

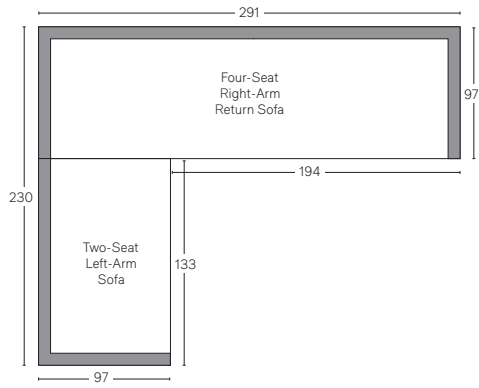
297cm Classic U-Sofa Sectional: 297cm W x 271cm D x 72cm H Overall



L-SECTIONAL

Available in left and right-arm configurations.

291cm Luxe Right-Arm L-Sectional: 291cm W x 230cm D x 79cm H Overall



U-CHAISE SECTIONAL

323cm Luxe U-Sofa Sectional: 323cm W x 291cm D x 79cm H Overall

