

# MODENA TRACK ARM COLLECTION



All dimensions are given in inches. See the attached "Dimensions Diagram" sheet for more information on the keys used in this chart.

	OVERALL WIDTH A	OVERALL DEPTH B	OVERALL HEIGHT C	FRAME HEIGHT D	SEAT HEIGHT E	ARM HEIGHT F	FOOT HEIGHT G	SEAT HEIGHT (FLOOR TO CUSHION SEAM) H	SEAT HEIGHT (FLOOR TO FRAME) I	INSIDE SEAT WIDTH J	INSIDE SEAT DEPTH W/ BACK CUSHION K	INSIDE SEAT DEPTH W/O BACK CUSHION L	INSIDE BACK HEIGHT W/ SEAT & BACK CUSHIONS M	INSIDE BACK HEIGHT W/ SEAT CUSHION N	NUMBER OF BACK CUSHIONS	NUMBER OF SEAT CUSHIONS	ACCENT PILLOWS	REGULAR ACCENT PILLOWS DIAMETER	LARGER ACCENT PILLOW DIAMETER	ARM HEIGHT W/ SEAT CUSHION O	ARM HEIGHT W/O SEAT CUSHION P	ARM WIDTH Q	SLEEPER DEPTH OVERALL R	SLEEPER DEPTH INSIDE S	
6' PETITE SOFA*	72	37	30	28½	17½	21½	2	16	10	58	21¼	28¼	11½	11	20	2	2	0	-	-	4	11½	7	-	-
6' LOW CLASSIC SOFA*	72	41	30	28½	16	20½	1¾	14½	9	57	23½	31¼	14	12½	19½	2	2	0	-	-	4½	11½	7½	-	-
6' STANDARD CLASSIC SOFA*	72	41	31	29½	17½	21½	2	16	10	57	23½	31¼	12½	12	19½	2	2	0	-	-	5½	12½	7½	-	-
84" QUEEN SLEEPER SOFA	84	40	36	34	20	23	1¾	17	12	69	23	31	16	14	17	2	1	0	-	-	3	11½	7½	85	80
7' PETITE SOFA*	84	37	30	28½	17½	21½	2	16	10	70	21¼	28¼	11½	11	20	2	2	0	-	-	5½	12½	7	-	-
7' LOW CLASSIC SOFA*	84	41	30	28½	16	20½	1¾	14½	9	69	23½	31¼	14	12½	19½	2	2	0	-	-	4½	11½	7½	-	-
7' STANDARD CLASSIC SOFA*	84	41	31	29½	17½	21½	2	16	10	69	23½	31¼	12½	12	19½	2	2	0	-	-	5½	12½	7½	-	-
7' LOW LUXE SOFA*	84	45	30	28½	16	20½	1¾	14½	9	69	27½	35¼	14	12½	19½	2	2	0	-	-	4½	11½	7½	-	-
7' STANDARD LUXE SOFA*	84	45	31	29½	17½	21½	2	16	10	69	27½	35¼	12½	12	19½	2	2	0	-	-	5½	12½	7½	-	-
96" KING SLEEPER SOFA	96	40	36	34	20	23	1¾	17	12	81	23	31	16	14	17	2	1	0	-	-	3	11½	7½	85	80
8' PETITE SOFA*	96	37	30	28½	17½	21½	2	16	10	82	21¼	28¼	11½	11	20	2	2	0	-	-	4	11½	7	-	-
8' LOW CLASSIC SOFA*	96	41	30	28½	16	20½	1¾	14½	9	81	23½	31¼	14	12½	19½	2	2	0	-	-	4½	11½	7½	-	-
8' STANDARD CLASSIC SOFA*	96	41	31	29½	17½	21½	2	16	10	81	23½	31¼	12½	12	19½	2	2	0	-	-	4	11½	7½	-	-
8' LOW LUXE SOFA*	96	45	30	28½	16	20½	1¾	14½	9	81	27½	35¼	14	12½	19½	2	2	0	-	-	4½	11½	7½	-	-

\* FABRIC SOFAS ALSO AVAILABLE WITH 2 BACK CUSHIONS AND 1 SEAT CUSHION

# MODENA TRACK ARM COLLECTION



All dimensions are given in inches. See the attached "Dimensions Diagram" sheet for more information on the keys used in this chart.

	OVERALL WIDTH A	OVERALL DEPTH B	OVERALL HEIGHT C	FRAME HEIGHT D	SEAT HEIGHT E	ARM HEIGHT F	FOOT HEIGHT G	SEAT HEIGHT (FLOOR TO CUSHION SEAM) H	SEAT HEIGHT (FLOOR TO FRAME) I	INSIDE SEAT WIDTH J	INSIDE SEAT DEPTH W/ BACK CUSHION K	INSIDE SEAT DEPTH W/O BACK CUSHION L	INSIDE BACK HEIGHT W/ SEAT & BACK CUSHIONS M	INSIDE BACK HEIGHT W/ SEAT CUSHION N	NUMBER OF BACK CUSHIONS	NUMBER OF SEAT CUSHIONS	ACCENT PILLOWS	REGULAR ACCENT PILLOWS DIAMETER	LARGER ACCENT PILLOW DIAMETER	ARM HEIGHT W/ SEAT CUSHION O	ARM HEIGHT W/O SEAT CUSHION P	ARM WIDTH Q	SLEEPER DEPTH OVERALL R	SLEEPER DEPTH INSIDE S	
8' STANDARD LUXE SOFA*	96	45	31	29½	17½	21½	2	16	10	81	27½	35¾	12½	12	19½	2	2	0	-	-	4	11½	7½	-	-
9' PETITE SOFA*	108	37	30	28½	17½	21½	2	16	10	94	21¼	28¼	11½	11	20	2	2	0	-	-	4	11½	7	-	-
9' LOW CLASSIC SOFA*	108	41	30	28½	16	20½	1¾	14½	9	93	23½	31¼	14	12½	19½	2	2	0	-	-	4½	11½	7½	-	-
9' STANDARD CLASSIC SOFA*	108	41	31	29½	17½	21½	2	16	10	93	23¾	31¼	12½	12	19½	2	2	0	-	-	4	11½	7½	-	-
9' LOW LUXE SOFA*	108	45	30	28½	16	20½	1¾	14½	9	93	27½	35¾	14	12½	19½	2	2	0	-	-	4½	11½	7½	-	-
9' STANDARD LUXE SOFA*	108	45	31	29½	17½	21½	2	16	10	93	27½	35¾	12½	12	19½	2	2	0	-	-	4	11½	7½	-	-
108" KING SLEEPER SOFA	108	40	36	34	20	23	1¾	17	12	93	23	31	16	14	17	2	1	0	-	-	3	11½	7½	85	80
10' LOW CLASSIC SOFA*	120	41	30	28½	16	20½	1¾	14½	9	105	23¾	31¼	14	12½	19½	2	2	0	-	-	4½	11½	7½	-	-
10' STANDARD CLASSIC SOFA*	120	41	31	29½	17½	21½	2	16	10	105	23¾	31¼	12½	12	19½	2	2	0	-	-	4	11½	7½	-	-
10' LOW LUXE SOFA*	120	45	30	28½	16	20½	1¾	14½	9	105	27½	35¾	14	12½	19½	2	2	0	-	-	4½	11½	7½	-	-
10' STANDARD LUXE SOFA*	120	45	31	29½	17½	21½	2	16	10	105	27½	35¾	12½	12	19½	2	2	0	-	-	4	11½	7½	-	-
PETITE CHAIR	40	37	30	28½	17½	21½	2	16	10	26	21¼	28¼	11½	11	20	1	1	0	-	-	4	11½	7	-	-
CLASSIC CHAIR	44	41	31	29½	17½	21½	2	16	10	29	23¾	31¼	12½	12	19½	1	1	0	-	-	4	11½	7½	-	-
LUXE CHAIR	46	45	31	29½	17½	21½	2	16	10	31	27½	35¾	12½	12	19½	1	1	0	-	-	4	11½	7½	-	-

\* FABRIC SOFAS ALSO AVAILABLE WITH 2 BACK CUSHIONS AND 1 SEAT CUSHION

# MODENA TRACK ARM COLLECTION



All dimensions are given in inches. See the attached "Dimensions Diagram" sheet for more information on the keys used in this chart.

	OVERALL WIDTH A	OVERALL DEPTH B	OVERALL HEIGHT C	FRAME HEIGHT D	SEAT HEIGHT E	ARM HEIGHT F	FOOT HEIGHT G	SEAT HEIGHT (FLOOR TO CUSHION SEAM) H	SEAT HEIGHT (FLOOR TO FRAME) I	INSIDE SEAT WIDTH J	INSIDE SEAT DEPTH W/ BACK CUSHION K	INSIDE SEAT DEPTH W/O BACK CUSHION L	INSIDE BACK HEIGHT W/ SEAT & BACK CUSHIONS M	INSIDE BACK HEIGHT W/ SEAT CUSHION N	NUMBER OF BACK CUSHIONS	NUMBER OF SEAT CUSHIONS	ACCENT PILLOWS	REGULAR ACCENT PILLOWS DIAMETER	LARGER ACCENT PILLOW DIAMETER	ARM HEIGHT W/ SEAT CUSHION O	ARM HEIGHT W/O SEAT CUSHION P	ARM WIDTH Q	SLEEPER DEPTH OVERALL R	SLEEPER DEPTH INSIDE S	
CHAISE	46	72	31	29½	17½	21½	2	16	10	31	54¼	62¼	12½	12	19½	1	1	0	-	-	4	11½	7½	-	-
SMALL BENCH	57	28	21½	21½	17½	21½	2	16	10	46	-	-	-	-	-	-	1	-	-	-	4	11½	5½	-	-
LARGE BENCH	92	39½	21½	21½	17½	21½	2	16	10	77	-	-	-	-	-	-	1	-	-	-	4	11½	7½	-	-
QUEEN END-OF-BED BENCH	54	20	20½	20½	17½	20½	2	16	10	43	-	-	-	-	-	-	1	-	-	-	3	3	5½	-	-
KING END-OF-BED BENCH	64	20	20½	20½	17½	20½	2	16	10	53	-	-	-	-	-	-	1	-	-	-	3	10½	5½	-	-
PETITE OTTOMAN	30	26	17½	17½	17½	-	2	16	10	30	-	-	-	-	-	-	1	-	-	-	-	-	-	-	-
LUXE OTTOMAN	34	28	17½	17½	17½	-	2	16	10	34	-	-	-	-	-	-	1	-	-	-	-	-	-	-	-
COFFEE OTTOMAN	57	28	17½	17½	17½	-	2	16	10	57	-	-	-	-	-	-	1	-	-	-	-	-	-	-	-
5' PETITE ARMLESS SOFA	60	37	30	28½	17½	-	2	16	10	60	21¼	28¼	11½	11	20	2	1	0	-	-	-	-	-	-	-
5' CLASSIC ARMLESS SOFA	60	41	31	29½	17½	-	2	16	10	60	23½	31¼	12½	12	19½	2	1	0	-	-	-	-	-	-	-
6' PETITE ARMLESS SOFA	72	37	30	28½	17½	-	2	16	10	72	21¼	28¼	11½	11	18½	2	1	0	-	-	-	-	-	-	-
6' CLASSIC ARMLESS SOFA	72	41	31	29½	17½	-	2	16	10	72	23½	31¼	12½	12	19½	2	1	0	-	-	-	-	-	-	-
6' LUXE ARMLESS SOFA	72	45	31	29½	17½	-	2	16	10	72	27¼	35¼	12½	12	19½	2	1	0	-	-	-	-	-	-	-
7' CLASSIC ARMLESS SOFA**	84	41	31	29½	17½	-	2	16	10	84	23½	31¼	12½	12	19½	2	2	0	-	-	-	-	-	-	-

\*\* FABRIC SECTIONAL COMPONENTS ALSO AVAILABLE WITH 2 BACK CUSHIONS AND 1 SEAT CUSHION

# MODENA TRACK ARM COLLECTION



All dimensions are given in inches. See the attached "Dimensions Diagram" sheet for more information on the keys used in this chart.

	OVERALL WIDTH A	OVERALL DEPTH B	OVERALL HEIGHT C	FRAME HEIGHT D	SEAT HEIGHT E	ARM HEIGHT F	FOOT HEIGHT G	SEAT HEIGHT (FLOOR TO CUSHION SEAM) H	SEAT HEIGHT (FLOOR TO FRAME) I	INSIDE SEAT WIDTH J	INSIDE SEAT DEPTH W/ BACK CUSHION K	INSIDE SEAT DEPTH W/O BACK CUSHION L	INSIDE BACK HEIGHT W/ SEAT & BACK CUSHIONS M	INSIDE BACK HEIGHT W/ SEAT CUSHION N	NUMBER OF BACK CUSHIONS	NUMBER OF SEAT CUSHIONS	ACCENT PILLOWS	REGULAR ACCENT PILLOWS DIAMETER	LARGER ACCENT PILLOW DIAMETER	ARM HEIGHT W/ SEAT CUSHION O	ARM HEIGHT W/O SEAT CUSHION P	ARM WIDTH Q	SLEEPER DEPTH OVERALL R	SLEEPER DEPTH INSIDE S	
7' LUXE ARMLESS SOFA**	84	45	31	29½	17½	-	2	16	10	84	27½	35¾	12½	12	19½	2	2	0	-	-	-	-	-	-	
8' CLASSIC ARMLESS SOFA**	96	41	31	29½	17½	-	2	16	10	96	23½	31¾	12½	12	19½	2	2	0	-	-	-	-	-	-	
8' LUXE ARMLESS SOFA**	96	45	31	29½	17½	-	2	16	10	96	27½	35¾	12½	12	19½	2	2	0	-	-	-	-	-	-	
9' CLASSIC ARMLESS SOFA**	108	41	31	29½	17½	-	2	16	10	108	23½	31¾	12½	12	19½	3	3	0	-	-	-	-	-	-	
9' LUXE ARMLESS SOFA**	108	45	31	29½	17½	-	2	16	10	108	27½	35¾	12½	12	19½	3	3	0	-	-	-	-	-	-	
5' CLASSIC LEFT-ARM SOFA	60	41	31	29½	17½	21½	2	16	10	52½	23½	31¾	12½	12	19½	2	1	0	-	-	4	11½	7½	-	-
5' CLASSIC RIGHT-ARM SOFA	60	41	31	29½	17½	21½	2	16	10	52½	23½	31¾	12½	12	19½	2	1	0	-	-	4	11½	7½	-	-
6' PETITE LEFT-ARM SOFA	72	37	30	28½	17½	21½	2	16	10	65	21¾	28¾	11½	11	20	2	1	0	-	-	4	11½	7	-	-
6' PETITE RIGHT-ARM SOFA	72	37	30	28½	17½	21½	2	16	10	65	21¾	28¾	11½	11	20	2	1	0	-	-	4	11½	7	-	-
6' CLASSIC LEFT-ARM SOFA	72	41	31	29½	17½	21½	2	16	10	64½	23½	31¾	12½	12	19½	2	1	0	-	-	4	11½	7½	-	-
6' CLASSIC RIGHT-ARM SOFA	72	41	31	29½	17½	21½	2	16	10	64½	23½	31¾	12½	12	19½	2	1	0	-	-	4	11½	7½	-	-
6' LUXE LEFT-ARM SOFA	72	45	31	29½	17½	21½	2	16	10	64½	27½	35¾	12½	12	19½	2	1	0	-	-	4	11½	7½	-	-
6' LUXE RIGHT-ARM SOFA	72	45	31	29½	17½	21½	2	16	10	64½	27½	35¾	12½	12	19½	2	1	0	-	-	4	11½	7½	-	-
7' PETITE LEFT-ARM SOFA**	84	37	30	28½	17½	21½	2	16	10	77	21¾	28¾	11½	11	20	2	2	0	-	-	4	11½	7	-	-

\*\* FABRIC SECTIONAL COMPONENTS ALSO AVAILABLE WITH 2 BACK CUSHIONS AND 1 SEAT CUSHION

# MODENA TRACK ARM COLLECTION



All dimensions are given in inches. See the attached "Dimensions Diagram" sheet for more information on the keys used in this chart.

	OVERALL WIDTH A	OVERALL DEPTH B	OVERALL HEIGHT C	FRAME HEIGHT D	SEAT HEIGHT E	ARM HEIGHT F	FOOT HEIGHT G	SEAT HEIGHT (FLOOR TO CUSHION SEAM) H	SEAT HEIGHT (FLOOR TO FRAME) I	INSIDE SEAT WIDTH J	INSIDE SEAT DEPTH W/ BACK CUSHION K	INSIDE SEAT DEPTH W/O BACK CUSHION L	INSIDE BACK HEIGHT W/ SEAT & BACK CUSHIONS M	INSIDE BACK HEIGHT W/ SEAT CUSHION N	NUMBER OF BACK CUSHIONS	NUMBER OF SEAT CUSHIONS	ACCENT PILLOWS	REGULAR ACCENT PILLOWS DIAMETER	LARGER ACCENT PILLOW DIAMETER	ARM HEIGHT W/ SEAT CUSHION O	ARM HEIGHT W/O SEAT CUSHION P	ARM WIDTH Q	SLEEPER DEPTH OVERALL R	SLEEPER DEPTH INSIDE S	
7' PETITE RIGHT-ARM SOFA**	84	37	30	28½	17½	21½	2	16	10	77	21¼	28¼	11½	11	20	2	2	0	-	-	4	11½	7	-	-
7' CLASSIC LEFT-ARM SOFA**	84	41	31	29½	17½	21½	2	16	10	76½	23½	31¼	12½	12	19½	2	2	0	-	-	4	11½	7½	-	-
7' CLASSIC RIGHT-ARM SOFA**	84	41	31	29½	17½	21½	2	16	10	76½	23½	31¼	12½	12	19½	2	2	0	-	-	4	11½	7½	-	-
7' LUXE LEFT-ARM SOFA**	84	45	31	29½	17½	21½	2	16	10	76½	27¼	35¼	12½	12	19½	2	2	0	-	-	4	11½	7½	-	-
7' LUXE RIGHT-ARM SOFA**	84	45	31	29½	17½	21½	2	16	10	76½	27¼	35¼	12½	12	19½	2	2	0	-	-	4	11½	7½	-	-
8' PETITE LEFT-ARM SOFA**	96	37	30	28½	17½	21½	2	16	10	89	21¼	28¼	11½	11	20	2	2	0	-	-	4	11½	7	-	-
8' PETITE RIGHT-ARM SOFA**	96	37	30	28½	17½	21½	2	16	10	89	21¼	28¼	11½	11	20	2	2	0	-	-	4	11½	7	-	-
8' CLASSIC LEFT-ARM SOFA**	96	41	31	29½	17½	21½	2	16	10	88½	23¼	31¼	12½	12	19½	2	2	0	-	-	4	11½	7½	-	-
8' CLASSIC RIGHT-ARM SOFA**	96	41	31	29½	17½	21½	2	16	10	88½	23¼	31¼	12½	12	19½	2	2	0	-	-	4	11½	7½	-	-
8' LUXE LEFT-ARM SOFA**	96	45	31	29½	17½	21½	2	16	10	88½	27¼	35¼	12½	12	19½	2	2	0	-	-	4	11½	7½	-	-
8' LUXE RIGHT-ARM SOFA**	96	45	31	29½	17½	21½	2	16	10	88½	27¼	35¼	12½	12	19½	2	2	0	-	-	4	11½	7½	-	-
9' CLASSIC LEFT-ARM SOFA**	108	41	31	29½	17½	21½	2	16	10	100½	23¼	31¼	12½	12	19½	3	3	0	-	-	4	11½	7½	-	-
9' CLASSIC RIGHT-ARM SOFA**	108	41	31	29½	17½	21½	2	16	10	100½	23¼	31¼	12½	12	19½	3	3	0	-	-	4	11½	7½	-	-
9' LUXE LEFT-ARM SOFA**	108	45	31	29½	17½	21½	2	16	10	100½	27¼	35¼	12½	12	19½	3	3	0	-	-	4	11½	7½	-	-

\*\* FABRIC SECTIONAL COMPONENTS ALSO AVAILABLE WITH 2 BACK CUSHIONS AND 1 SEAT CUSHION

# MODENA TRACK ARM COLLECTION



All dimensions are given in inches. See the attached "Dimensions Diagram" sheet for more information on the keys used in this chart.

	OVERALL WIDTH A	OVERALL DEPTH B	OVERALL HEIGHT C	FRAME HEIGHT D	SEAT HEIGHT E	ARM HEIGHT F	FOOT HEIGHT G	SEAT HEIGHT (FLOOR TO CUSHION SEAM) H	SEAT HEIGHT (FLOOR TO FRAME) I	INSIDE SEAT WIDTH J	INSIDE SEAT DEPTH W/ BACK CUSHION K	INSIDE SEAT DEPTH W/O BACK CUSHION L	INSIDE BACK HEIGHT W/ SEAT & BACK CUSHIONS M	INSIDE BACK HEIGHT W/ SEAT CUSHION N	NUMBER OF BACK CUSHIONS	NUMBER OF SEAT CUSHIONS	ACCENT PILLOWS	REGULAR ACCENT PILLOWS DIAMETER	LARGER ACCENT PILLOW DIAMETER	ARM HEIGHT W/ SEAT CUSHION O	ARM HEIGHT W/O SEAT CUSHION P	ARM WIDTH Q	SLEEPER DEPTH OVERALL R	SLEEPER DEPTH INSIDE S	
9' LUXE RIGHT-ARM SOFA**	108	45	31	29½	17½	21½	2	16	10	100½	27½	35¾	12½	12	19½	3	3	0	-	-	4	11½	7½	-	-
10' CLASSIC LEFT-ARM SOFA**	120	41	31	29½	17½	21½	2	16	10	112½	23½	31¾	12½	12	19½	3	3	0	-	-	4	11½	7½	-	-
10' CLASSIC RIGHT-ARM SOFA**	120	41	31	29½	17½	21½	2	16	10	112½	23½	31¾	12½	12	19½	3	3	0	-	-	4	11½	7½	-	-
10' LUXE LEFT-ARM SOFA**	120	45	31	29½	17½	21½	2	16	10	112½	27½	35¾	12½	12	19½	3	3	0	-	-	4	11½	7½	-	-
10' LUXE RIGHT-ARM SOFA**	120	45	31	29½	17½	21½	2	16	10	112½	27½	35¾	12½	12	19½	3	3	0	-	-	4	11½	7½	-	-
7' PETITE LEFT-ARM RETURN SOFA†	84	37	30	28½	17½	21½	2	16	10	62	21¾	28¾	11½	11	20	3	2	0	-	-	4	11½	7	-	-
7' PETITE RIGHT-ARM RETURN SOFA†	84	37	30	28½	17½	21½	2	16	10	62	21¾	28¾	11½	11	20	3	2	0	-	-	4	11½	7	-	-
7' CLASSIC LEFT-ARM RETURN SOFA†	84	41	31	29½	17½	21½	2	16	10	59½	23¾	31¾	12½	12	19½	3	2	0	-	-	4	11½	7½	-	-
7' CLASSIC RIGHT-ARM RETURN SOFA†	84	41	31	29½	17½	21½	2	16	10	59½	23¾	31¾	12½	12	19½	3	2	0	-	-	4	11½	7½	-	-
7' LUXE LEFT-ARM RETURN SOFA†	84	45	31	29½	17½	21½	2	16	10	59½	27½	35¾	12½	12	19½	3	2	0	-	-	4	11½	7½	-	-
7' LUXE RIGHT-ARM RETURN SOFA†	84	45	31	29½	17½	21½	2	16	10	59½	27½	35¾	12½	12	19½	3	2	0	-	-	4	11½	7½	-	-
8' PETITE LEFT-ARM RETURN SOFA†	96	37	30	28½	17½	21½	2	16	10	74	21¾	28¾	11½	11	20	3	2	0	-	-	4	11½	7	-	-
8' PETITE RIGHT-ARM RETURN SOFA†	96	37	30	28½	17½	21½	2	16	10	74	21¾	28¾	11½	11	20	3	2	0	-	-	4	11½	7	-	-
8' CLASSIC LEFT-ARM RETURN SOFA†	96	41	31	29½	17½	21½	2	16	10	71½	23¾	31¾	12½	12	19½	3	2	0	-	-	4	11½	7½	-	-

\*\* FABRIC SECTIONAL COMPONENTS ALSO AVAILABLE WITH 2 BACK CUSHIONS AND 1 SEAT CUSHION

† FABRIC SECTIONAL COMPONENTS ALSO AVAILABLE WITH 3 BACK CUSHIONS AND 1 SEAT CUSHION

# MODENA TRACK ARM COLLECTION



All dimensions are given in inches. See the attached "Dimensions Diagram" sheet for more information on the keys used in this chart.

	OVERALL WIDTH A	OVERALL DEPTH B	OVERALL HEIGHT C	FRAME HEIGHT D	SEAT HEIGHT E	ARM HEIGHT F	FOOT HEIGHT G	SEAT HEIGHT (FLOOR TO CUSHION SEAM) H	SEAT HEIGHT (FLOOR TO FRAME) I	INSIDE SEAT WIDTH J	INSIDE SEAT DEPTH W/ BACK CUSHION K	INSIDE SEAT DEPTH W/O BACK CUSHION L	INSIDE BACK HEIGHT W/ SEAT & BACK CUSHIONS M	INSIDE BACK HEIGHT W/ SEAT CUSHION N	NUMBER OF BACK CUSHIONS	NUMBER OF SEAT CUSHIONS	ACCENT PILLOWS	REGULAR ACCENT PILLOWS DIAMETER	LARGER ACCENT PILLOW DIAMETER	ARM HEIGHT W/ SEAT CUSHION O	ARM HEIGHT W/O SEAT CUSHION P	ARM WIDTH Q	SLEEPER DEPTH OVERALL R	SLEEPER DEPTH INSIDE S	
8' CLASSIC RIGHT-ARM RETURN SOFA†	96	41	31	29½	17½	21½	2	16	10	71½	23½	31%	12½	12	19½	3	2	0	-	-	4	11½	7½	-	-
8' LUXE LEFT-ARM RETURN SOFA†	96	45	31	29½	17½	21½	2	16	10	71½	27½	35%	12½	12	19½	3	2	0	-	-	4	11½	7½	-	-
8' LUXE RIGHT-ARM RETURN SOFA	96	45	31	29½	17½	21½	2	16	10	71½	27½	35%	12½	12	19½	3	2	0	-	-	4	11½	7½	-	-
9' CLASSIC LEFT-ARM RETURN SOFA†	108	41	31	29½	17½	21½	2	16	10	83½	23½	31%	12½	12	19½	4	3	0	-	-	4	11½	7½	-	-
9' CLASSIC RIGHT-ARM RETURN SOFA†	108	41	31	29½	17½	21½	2	16	10	83½	23½	31%	12½	12	19½	4	3	0	-	-	4	11½	7½	-	-
9' LUXE LEFT-ARM RETURN SOFA†	108	45	31	29½	17½	21½	2	16	10	83½	27½	35%	12½	12	19½	4	3	0	-	-	4	11½	7½	-	-
9' LUXE RIGHT-ARM RETURN SOFA†	108	45	31	29½	17½	21½	2	16	10	83½	27½	35%	12½	12	19½	4	3	0	-	-	4	11½	7½	-	-
10' CLASSIC LEFT-ARM RETURN SOFA†	120	41	31	29½	17½	21½	2	16	10	95½	23½	31%	12½	12	19½	4	3	0	-	-	4	11½	7½	-	-
10' CLASSIC RIGHT-ARM RETURN SOFA†	120	41	31	29½	17½	21½	2	16	10	95½	23½	31%	12½	12	19½	4	3	0	-	-	4	11½	7½	-	-
10' LUXE LEFT-ARM RETURN SOFA†	120	45	31	29½	17½	21½	2	16	10	95½	27½	35%	12½	12	19½	4	3	0	-	-	4	11½	7½	-	-
10' LUXE RIGHT-ARM RETURN SOFA	120	45	31	29½	17½	21½	2	16	10	95½	27½	35%	12½	12	19½	4	3	0	-	-	4	11½	7½	-	-
PETITE LEFT-ARM CHAISE	37	64	30	28½	17½	21½	2	16	10	30	48¾	55%	11½	11	20	1	1	0	-	-	4	11½	7	-	-
PETITE RIGHT-ARM CHAISE	37	64	30	28½	17½	21½	2	16	10	30	48¾	55%	11½	11	20	1	1	0	-	-	4	11½	7	-	-
CLASSIC LEFT-ARM CHAISE	42	68	31	29½	17½	21½	2	16	10	34¾	50%	58%	12½	12	19½	1	1	0	-	-	4	11½	7½	-	-

† FABRIC SECTIONAL COMPONENTS ALSO AVAILABLE WITH 3 BACK CUSHIONS AND 1 SEAT CUSHION

# MODENA TRACK ARM COLLECTION



All dimensions are given in inches. See the attached "Dimensions Diagram" sheet for more information on the keys used in this chart.

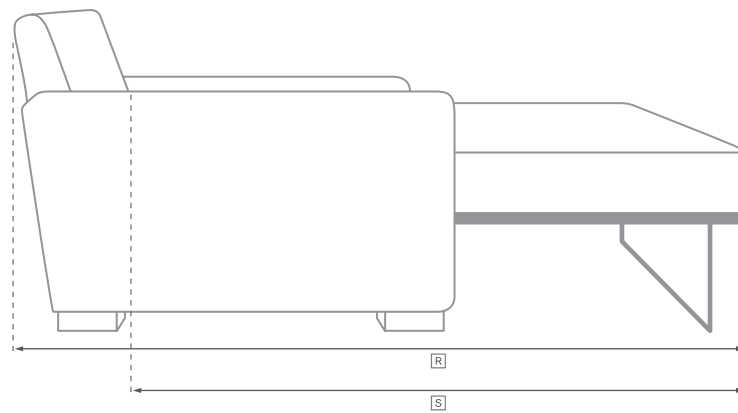
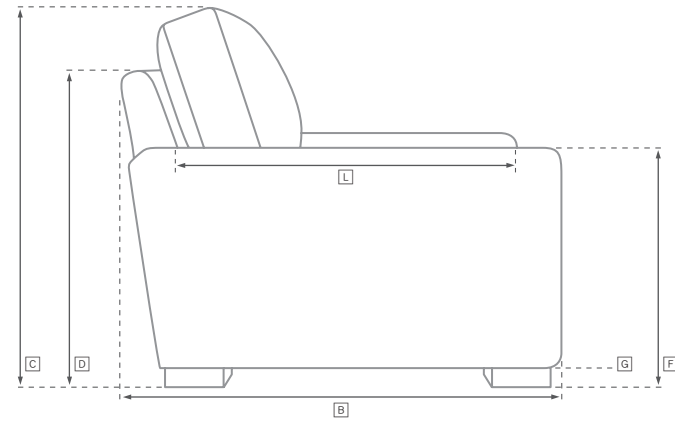
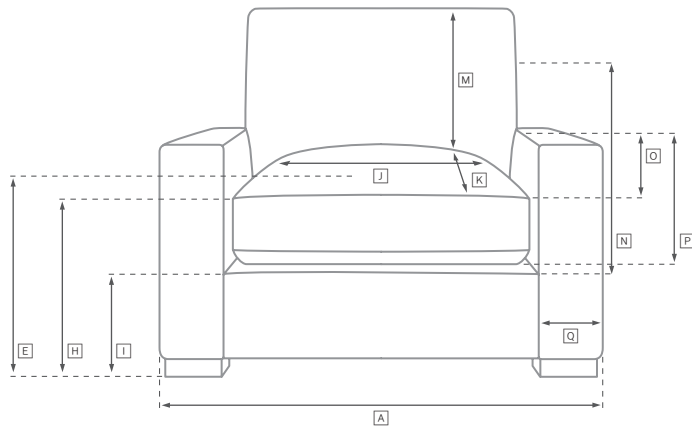
	OVERALL WIDTH A	OVERALL DEPTH B	OVERALL HEIGHT C	FRAME HEIGHT D	SEAT HEIGHT E	ARM HEIGHT F	FOOT HEIGHT G	SEAT HEIGHT (FLOOR TO CUSHION SEAM) H	SEAT HEIGHT (FLOOR TO FRAME) I	INSIDE SEAT WIDTH J	INSIDE SEAT DEPTH W/ BACK CUSHION K	INSIDE SEAT DEPTH W/O BACK CUSHION L	INSIDE BACK HEIGHT W/ SEAT & BACK CUSHIONS M	INSIDE BACK HEIGHT W/ SEAT CUSHION N	NUMBER OF BACK CUSHIONS	NUMBER OF SEAT CUSHIONS	ACCENT PILLOWS	REGULAR ACCENT PILLOWS DIAMETER	LARGER ACCENT PILLOW DIAMETER	ARM HEIGHT W/ SEAT CUSHION O	ARM HEIGHT W/O SEAT CUSHION P	ARM WIDTH Q	SLEEPER DEPTH OVERALL R	SLEEPER DEPTH INSIDE S	
CLASSIC RIGHT-ARM CHAISE	42	68	31	29½	17½	21½	2	16	10	34½	50¼	58¼	12½	12	19½	1	1	0	-	-	4	11½	7½	-	-
LUXE LEFT-ARM CHAISE	44	72	31	29½	17½	21½	2	16	10	36½	54¼	62¼	12½	12	19½	1	1	0	-	-	4	11½	7½	-	-
LUXE RIGHT-ARM CHAISE	44	72	31	29½	17½	21½	2	16	10	36½	54¼	62¼	12½	12	19½	1	1	0	-	-	4	11½	7½	-	-
PETITE END-OF-SECTIONAL OTTOMAN	37	37	17½	17½	17½	-	2	17½	10	37	-	-	-	-	-	-	1	-	-	-	-	-	-	-	-
CLASSIC END-OF-SECTIONAL OTTOMAN	41	41	17½	17½	17½	-	2	17½	10	41	-	-	-	-	-	-	1	-	-	-	-	-	-	-	-
LUXE END-OF-SECTIONAL OTTOMAN	45	45	17½	17½	17½	-	2	17½	10	45	-	-	-	-	-	-	1	-	-	-	-	-	-	-	-
STORAGE OTTOMAN	57	28	16	16	16	-	1¾	15½	8	57	-	-	-	-	-	-	1	-	-	-	-	-	-	-	-



# UPHOLSTERY DIMENSIONS DIAGRAM

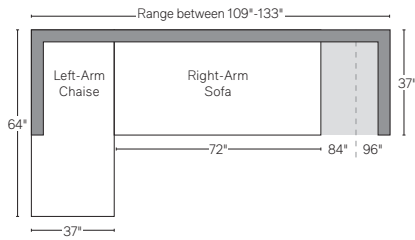
See the "Dimensions Sheet" for the measurements that correspond with the letters below.

RH

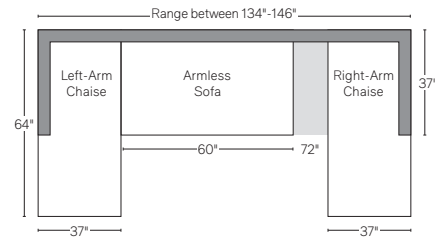


**SOFA CHAISE SECTIONAL**

Available in left- and right-arm configurations.

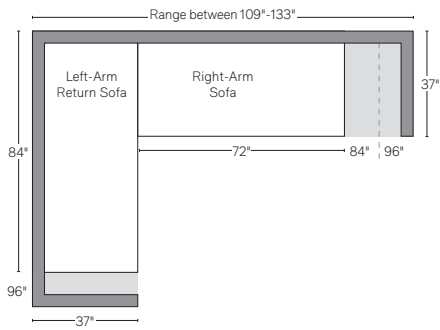


**U-CHAISE SECTIONAL**



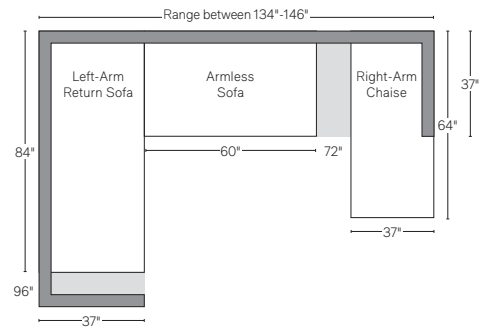
**L-SECTIONAL**

Available in left- and right-arm configurations.

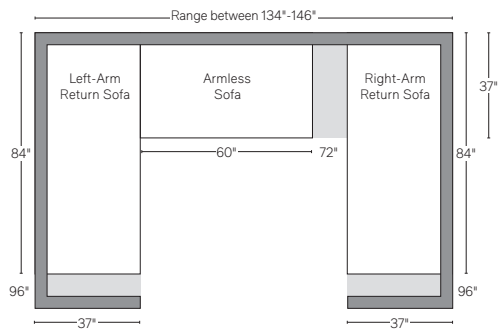


**U-SOFA CHAISE SECTIONAL**

Available in left- and right-arm configurations.



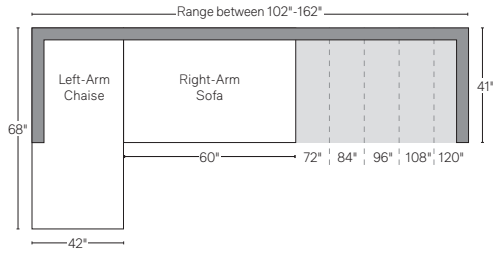
**U-SOFA SECTIONAL**



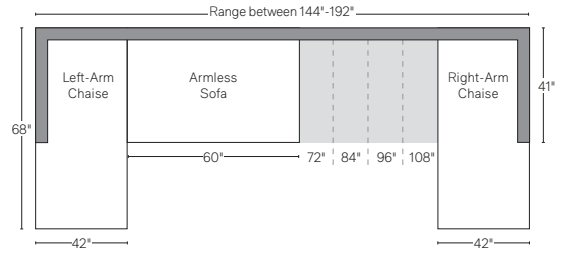
Multiple length options available.

**SOFA CHAISE SECTIONAL**

Available in left- and right-arm configurations.

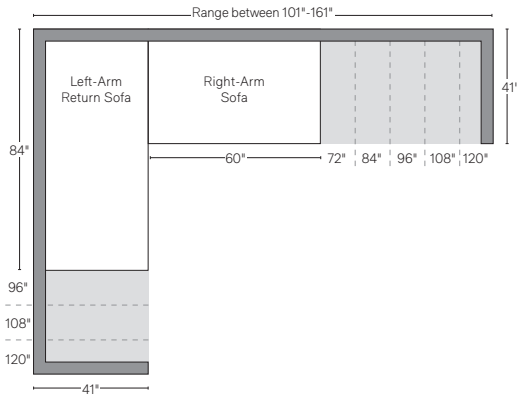


**U-CHAISE SECTIONAL**



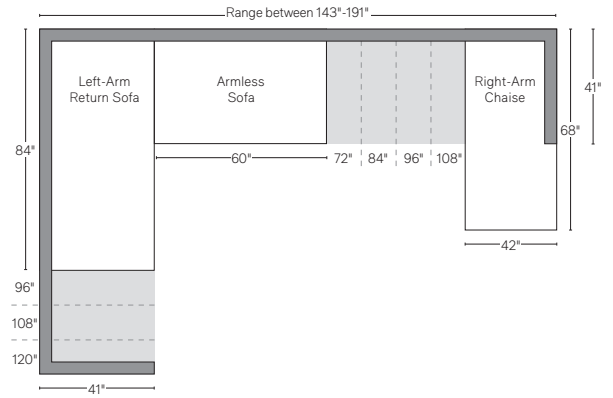
**L-SECTIONAL**

Available in left- and right-arm configurations.

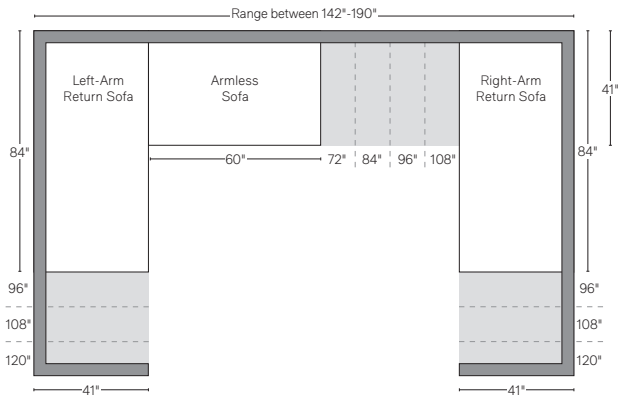


**U-SOFA CHAISE SECTIONAL**

Available in left- and right-arm configurations.



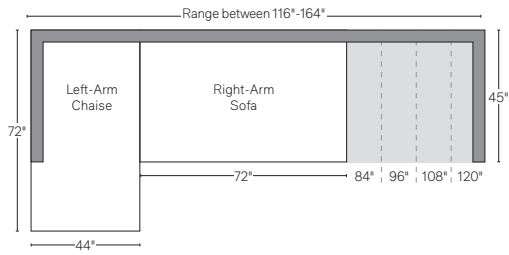
**U-SOFA SECTIONAL**



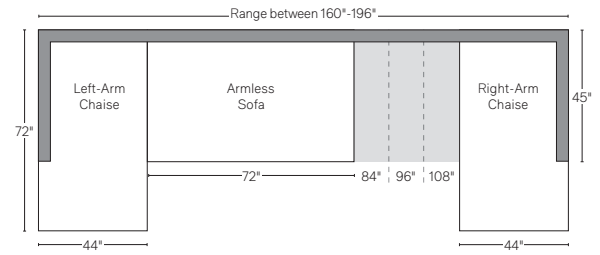
Multiple length options available.

**SOFA CHAISE SECTIONAL**

Available in left- and right-arm configurations.

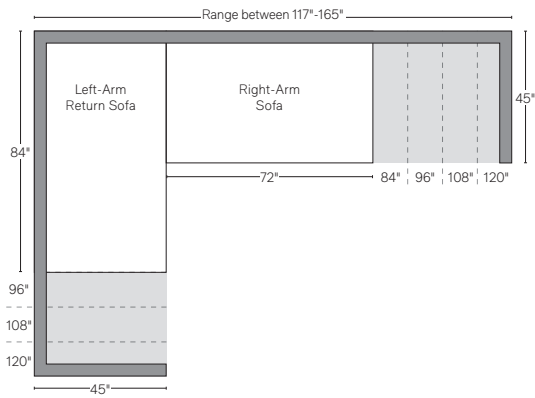


**U-CHAISE SECTIONAL**



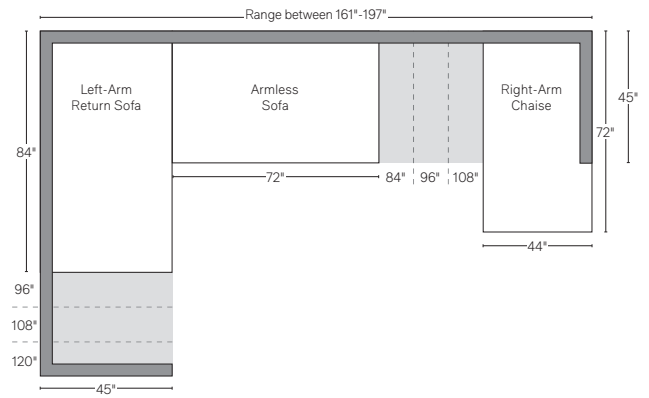
**L-SECTIONAL**

Available in left- and right-arm configurations.

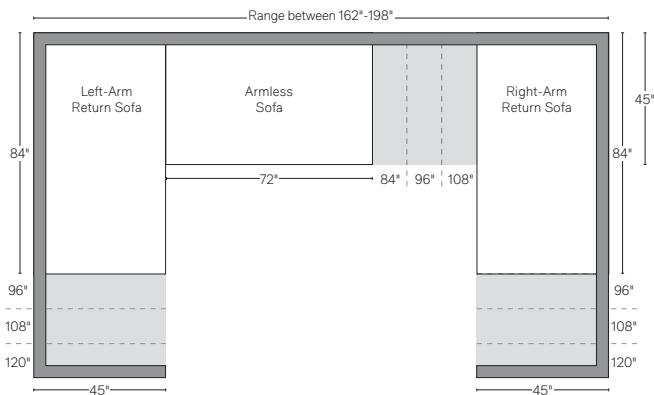


**U-SOFA CHAISE SECTIONAL**

Available in left- and right-arm configurations.



**U-SOFA SECTIONAL**



Multiple length options available.