

LUGANO COLLECTION



All dimensions are given in inches. See the attached "Dimensions Diagram" sheet for more information on the keys used in this chart.

| | OVERALL WIDTH A | OVERALL DEPTH B | OVERALL HEIGHT C | FRAME HEIGHT D | SEAT HEIGHT E | ARM HEIGHT F | FOOT HEIGHT G | SEAT HEIGHT (FLOOR TO CUSHION SEAM) H | SEAT HEIGHT (FLOOR TO FRAME) I | INSIDE SEAT WIDTH J | INSIDE SEAT DEPTH W/ BACK CUSHION K | INSIDE SEAT DEPTH W/O BACK CUSHION L | INSIDE BACK HEIGHT W/ SEAT & BACK CUSHIONS M | INSIDE BACK HEIGHT W/ SEAT CUSHION N | # OF BACK CUSHIONS | # OF SEAT CUSHIONS | ACCENT PILLOWS | REGULAR ACCENT PILLOWS DIAMETER | LARGER ACCENT PILLOW DIAMETER | ARM HEIGHT W/ SEAT CUSHION O | ARM HEIGHT W/O SEAT CUSHION P | ARM WIDTH Q | SLEEPER DEPTH OVERALL R | SLEEPER DEPTH INSIDE S | |
|-------------------|--------------------|--------------------|---------------------|-------------------|------------------|-----------------|------------------|---|--------------------------------------|------------------------|---|--|--|--|--------------------|--------------------|----------------|------------------------------------|----------------------------------|------------------------------------|-------------------------------------|----------------|----------------------------|---------------------------|---|
| 7' SOFA | 84 | 43 | 32¼ | 23¾ | 17 | 23¾ | 1½ | - | 9 | 66½ | 29½ 25¼ w/ Accent | 37 | 15¼ | 6¾ | 14¾ | 2 | 2 | 2 | 0 | - | 6¾ | 14¾ | 8¾ | - | - |
| 8' SOFA | 96 | 43 | 32¼ | 23¾ | 17 | 23¾ | 1½ | - | 9 | 78½ | 29½ 25¼ w/ Accent | 37 | 15¼ | 6¾ | 14¾ | 2 | 2 | 2 | 0 | - | 6¾ | 14¾ | 8¾ | - | - |
| 9' SOFA | 108 | 43 | 32¼ | 23¾ | 17 | 23¾ | 1½ | - | 9 | 90½ | 29½ 25¼ w/ Accent | 37 | 15¼ | 6¾ | 14¾ | 2 | 2 | 2 | 0 | - | 6¾ | 14¾ | 8¾ | - | - |
| 10' SOFA | 120 | 43 | 32¼ | 23¾ | 17 | 23¾ | 1½ | - | 9 | 102½ | 29½ 25¼ w/ Accent | 37 | 15¼ | 6¾ | 14¾ | 2 | 2 | 2 | 0 | - | 6¾ | 14¾ | 8¾ | - | - |
| CHAIR | 47 | 43 | 32¼ | 23¾ | 17 | 23¾ | 1½ | - | 9 | 29½ | 29½ 25¼ w/ Accent | 37 | 15¼ | 6¾ | 14¾ | 1 | 1 | 1 | - | - | 6¾ | 14¾ | 8¾ | - | - |
| LEFT-ARM CHAISE | 48 | 62¾ | 32¼ | 23¾ | 17 | 23¾ | 1½ | - | 9 | 43½ | 29½ 25¼ w/ Accent | 37 | 15¼ | 6¾ | 14¾ | 1 | 1 | 1 | - | - | 6¾ | 14¾ | 6¾ | - | - |
| RIGHT-ARM CHAISE | 48 | 62¾ | 32¼ | 23¾ | 17 | 23¾ | 1½ | - | 9 | 43½ | 29½ 25¼ w/ Accent | 37 | 15¼ | 6¾ | 14¾ | 1 | 1 | 1 | - | - | 6¾ | 14¾ | 6¾ | - | - |
| 6' ARMLESS SOFA | 72 | 43 | 32¼ | 23¾ | 17 | - | 1½ | - | 9 | 72 | 29½ 25¼ w/ Accent | 37 | 15¼ | 6¾ | 14¾ | 2 | 2 | 2 | - | - | - | - | - | - | - |
| 7' ARMLESS SOFA | 84 | 43 | 32¼ | 23¾ | 17 | - | 1½ | - | 9 | 84 | 29½ 25¼ w/ Accent | 37 | 15¼ | 6¾ | 14¾ | 2 | 2 | 2 | - | - | - | - | - | - | - |
| 8' ARMLESS SOFA | 96 | 43 | 32¼ | 23¾ | 17 | - | 1½ | - | 9 | 96 | 29½ 25¼ w/ Accent | 37 | 15¼ | 6¾ | 14¾ | 2 | 2 | 2 | - | - | - | - | - | - | - |
| 7' LEFT-ARM SOFA | 84 | 43 | 32¼ | 23¾ | 17 | 23¾ | 1½ | - | 9 | 75¼ | 29½ 25¼ w/ Accent | 37 | 15¼ | 6¾ | 14¾ | 2 | 2 | 2 | - | - | 6¾ | 14¾ | 6¾ | - | - |
| 7' RIGHT-ARM SOFA | 84 | 43 | 32¼ | 23¾ | 17 | 23¾ | 1½ | - | 9 | 75¼ | 29½ 25¼ w/ Accent | 37 | 15¼ | 6¾ | 14¾ | 2 | 2 | 2 | - | - | 6¾ | 14¾ | 6¾ | - | - |
| 8' LEFT-ARM SOFA | 96 | 43 | 32¼ | 23¾ | 17 | 23¾ | 1½ | - | 9 | 87¼ | 29½ 25¼ w/ Accent | 37 | 15¼ | 6¾ | 14¾ | 2 | 2 | 2 | - | - | 6¾ | 14¾ | 6¾ | - | - |
| 8' RIGHT-ARM SOFA | 96 | 43 | 32¼ | 23¾ | 17 | 23¾ | 1½ | - | 9 | 87¼ | 29½ 25¼ w/ Accent | 37 | 15¼ | 6¾ | 14¾ | 2 | 2 | 2 | - | - | 6¾ | 14¾ | 6¾ | - | - |

LUGANO COLLECTION

All dimensions are given in inches. See the attached "Dimensions Diagram" sheet for more information on the keys used in this chart.

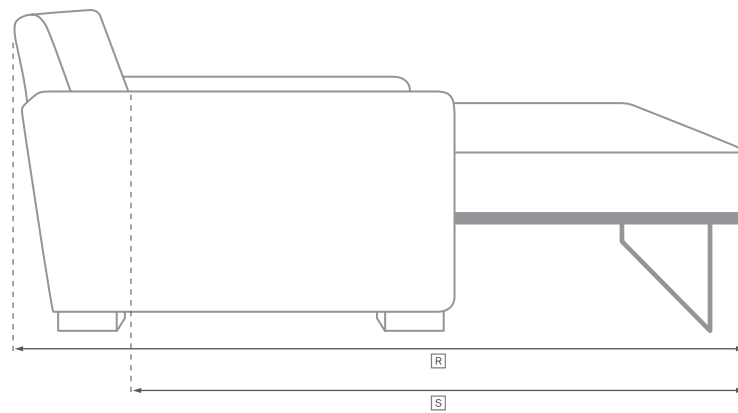
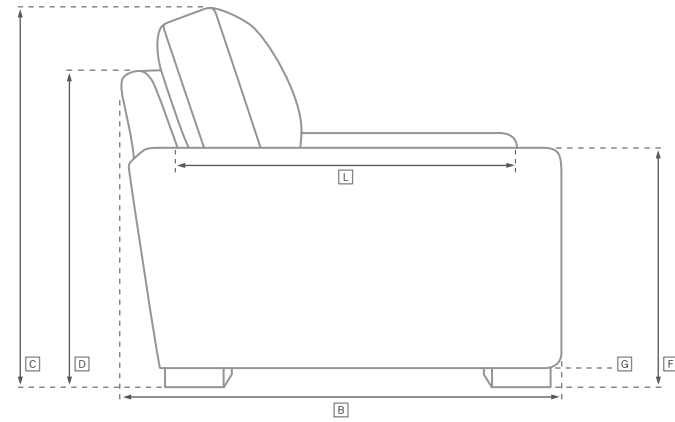
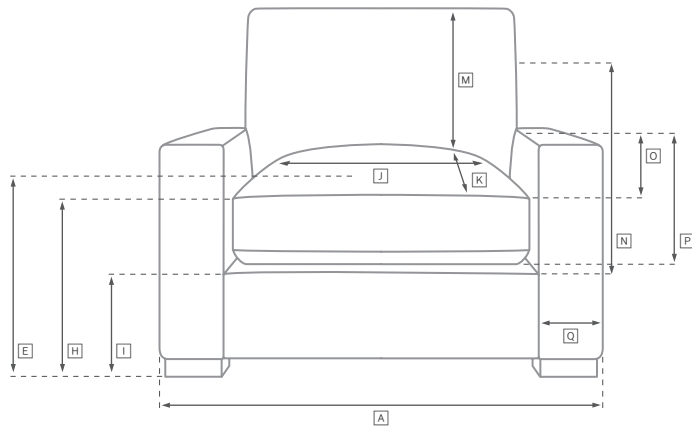


| | OVERALL WIDTH A | OVERALL DEPTH B | OVERALL HEIGHT C | FRAME HEIGHT D | SEAT HEIGHT E | ARM HEIGHT F | FOOT HEIGHT G | SEAT HEIGHT (FLOOR TO CUSHION SEAM) H | SEAT HEIGHT (FLOOR TO FRAME) I | INSIDE SEAT WIDTH J | INSIDE SEAT DEPTH W/ BACK CUSHION K | INSIDE SEAT DEPTH W/O BACK CUSHION L | INSIDE BACK HEIGHT W/ SEAT & BACK CUSHIONS M | INSIDE BACK HEIGHT W/ SEAT CUSHION N | INSIDE BACK HEIGHT W/O SEAT OR BACK CUSHION O | # OF BACK CUSHIONS P | # OF SEAT CUSHIONS Q | ACCENT PILLOWS R | REGULAR ACCENT PILLOWS DIAMETER S | LARGER ACCENT PILLOW DIAMETER T | ARM HEIGHT W/ SEAT CUSHION U | ARM HEIGHT W/O SEAT CUSHION V | ARM WIDTH W | SLEEPER DEPTH OVERALL X | SLEEPER DEPTH INSIDE Y |
|-------------------------|--------------------|--------------------|---------------------|-------------------|------------------|-----------------|------------------|---|--------------------------------------|------------------------|---|--|--|--|---|-------------------------|-------------------------|---------------------|---|---------------------------------------|------------------------------------|-------------------------------------|----------------|----------------------------|---------------------------|
| 9' LEFT-ARM SOFA | 108 | 43 | 32½ | 23¾ | 17 | 23¾ | 1½ | - | 9 | 99¾ | 29½ 25¼ w/ Accent | 37 | 15¼ | 6¾ | 14¾ | 2 | 2 | 2 | - | - | 6¾ | 14¾ | 6¾ | - | - |
| 9' RIGHT-ARM SOFA | 108 | 43 | 32½ | 23¾ | 17 | 23¾ | 1½ | - | 9 | 99¾ | 29½ 25¼ w/ Accent | 37 | 15¼ | 6¾ | 14¾ | 2 | 2 | 2 | - | - | 6¾ | 14¾ | 6¾ | - | - |
| 10' LEFT-ARM SOFA | 120 | 43 | 32½ | 23¾ | 17 | 23¾ | 1½ | - | 9 | 111¼ | 29½ 25¼ w/ Accent | 37 | 15¼ | 6¾ | 14¾ | 2 | 2 | 2 | - | - | 6¾ | 14¾ | 8¾ | - | - |
| 10' RIGHT-ARM SOFA | 120 | 43 | 32½ | 23¾ | 17 | 23¾ | 1½ | - | 9 | 111¼ | 29½ 25¼ w/ Accent | 37 | 15¼ | 6¾ | 14¾ | 2 | 2 | 2 | - | - | 6¾ | 14¾ | 8¾ | - | - |
| MODULAR ARMLESS CHAIR | 39¾ | 43 | 32½ | 23¾ | 17 | - | 1½ | - | 9 | 39¾ | 29½ 25¼ w/ Accent | 37 | 15¼ | 6¾ | 14¾ | 1 | 1 | 1 | - | - | - | - | - | - | - |
| MODULAR CORNER CHAIR | 43 | 43 | 32½ | 23¾ | 17 | - | 1½ | - | 9 | 25½ | 29½ 25¼ w/ Accent | 37 | 15¼ | 6¾ | 14¾ | 2 | 1 | 2 | - | - | - | - | - | - | - |
| MODULAR LEFT-ARM CHAIR | 48 | 43 | 32½ | 23¾ | 17 | 23¾ | 1½ | - | 9 | 39¾ | 29½ 25¼ w/ Accent | 37 | 15¼ | 6¾ | 14¾ | 1 | 1 | 1 | - | - | 6¾ | 14¾ | 8¾ | - | - |
| MODULAR RIGHT-ARM CHAIR | 48 | 43 | 32½ | 23¾ | 17 | 23¾ | 1½ | - | 9 | 39¾ | 29½ 25¼ w/ Accent | 37 | 15¼ | 6¾ | 14¾ | 1 | 1 | 1 | - | - | 6¾ | 14¾ | 8¾ | - | - |
| MODULAR OTTOMAN | 39¾ | 39¾ | 17 | 17 | 17 | - | 1½ | - | 9 | 39¾ | - | - | - | - | - | 0 | 1 | 0 | - | - | - | - | - | - | - |

UPHOLSTERY DIMENSIONS DIAGRAM

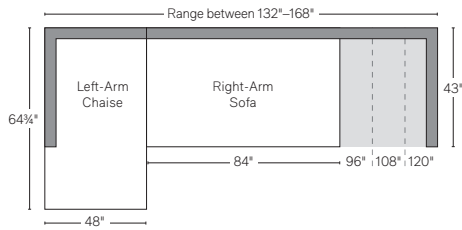
See the "Dimensions Sheet" for the measurements that correspond with the letters below.

RH

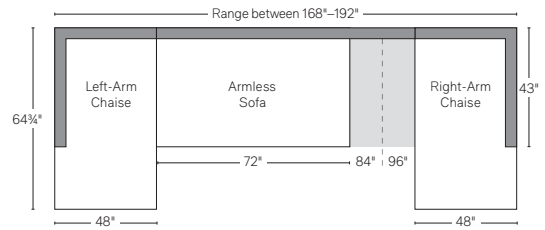


SOFA CHAISE SECTIONAL

Available in left and right-arm configurations.

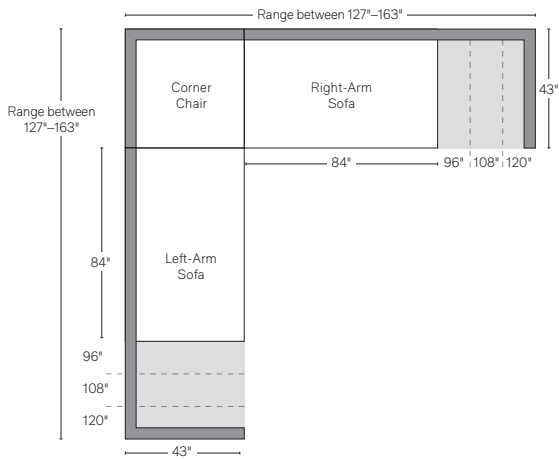


U-CHAISE SECTIONAL

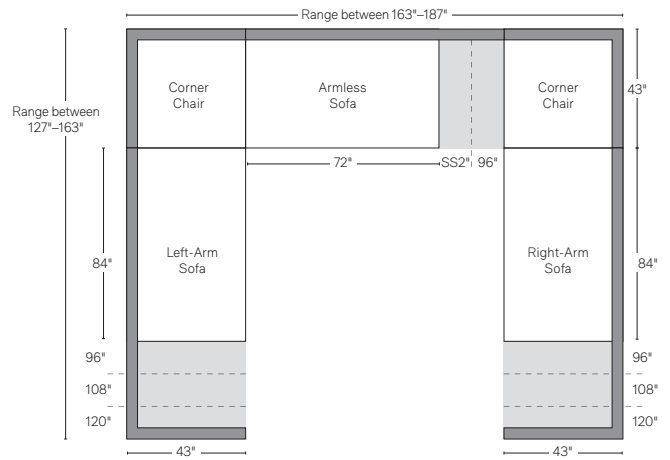


L-SECTIONAL

Available in left and right-arm configurations.

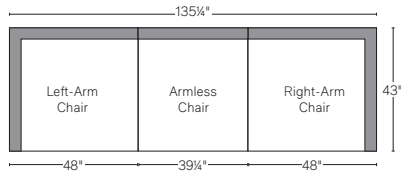


U-SOFA SECTIONAL



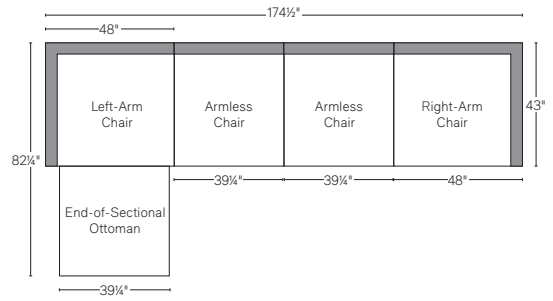
Multiple length options available.

MODULAR SOFA



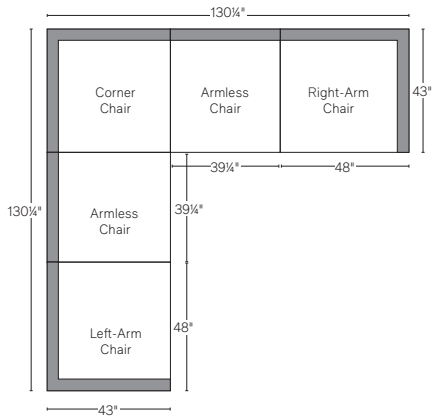
MODULAR SOFA CHAISE

Available in left- and right-arm configurations.

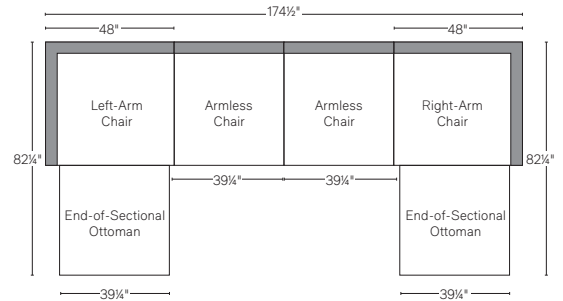


MODULAR L-SECTIONAL

Available in left- and right-arm configurations.



MODULAR U-CHAISE SECTIONAL



MODULAR U-SOFA SECTIONAL

