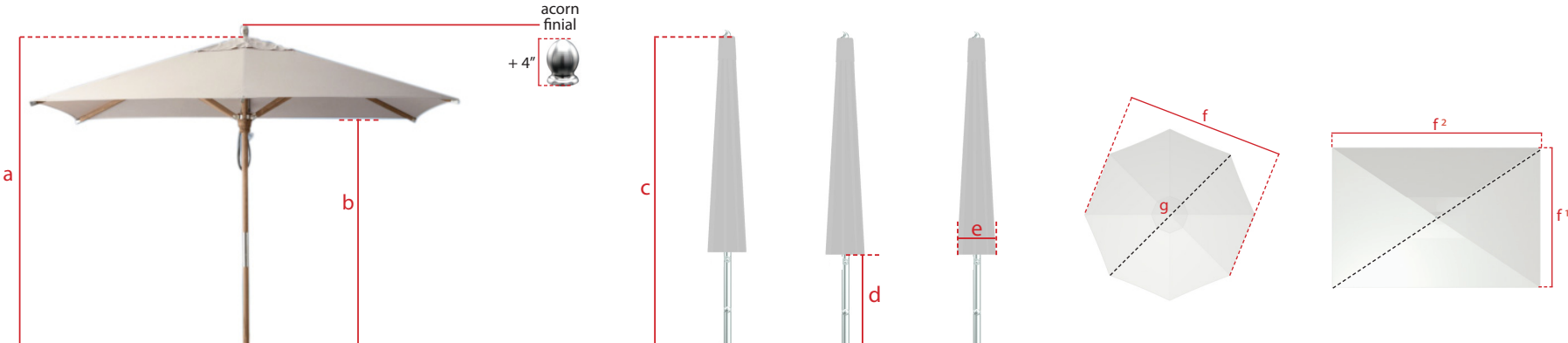




RH PREMIUM TEAK UMBRELLA



			mast height (open position)	canopy clearance	mast height (closed position)	table clearance	closed parasol width	flat to flat (Open Umbrella)	point to point	canopy area coverage
classic	sizes [ft/m]	Pole Diameter	a (in/cm)	b (in/cm)	c (in/cm)	d (in/cm)	e (in/cm)	f (in/cm)	g (in/cm)	ft²
 rectangle	6' x 10' 1.8m x 3m	2.0"	102.5/260	80.5/204	102.5/260	32/ 81	9.5/24	70X120.5 177X 306	139.5/353.5	58.5
 octagon	9.0' / 2.75m	2.0"	99/ 251	77/195.5	99/251	45/114	16.0/41	96/243	104/263	53

Dimension Tolerances ± 2"
 Dimensions shown correspond to indicated lift system
 Options are subject to change without notice
 Some options are only available in certain sizes and shapes

2" security base stem height not included