

TRELICA TEAK SEATING COLLECTION



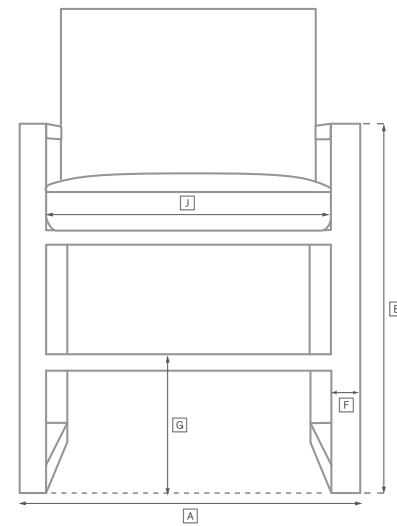
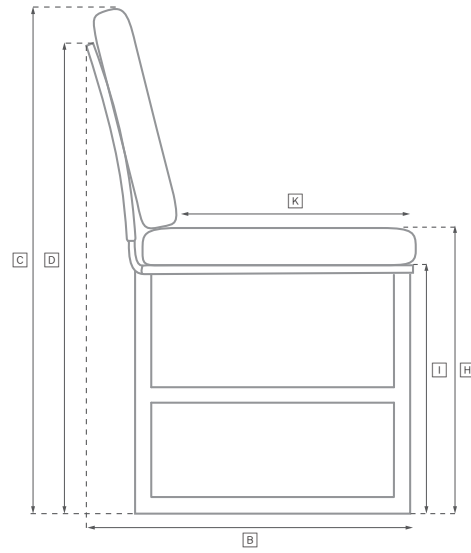
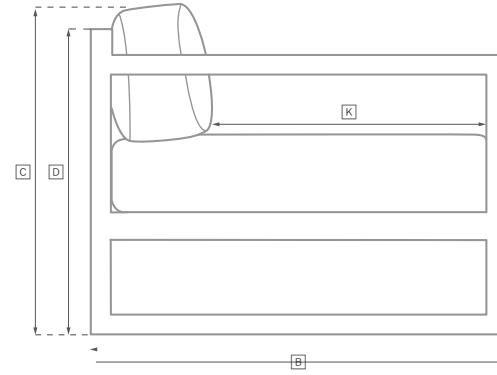
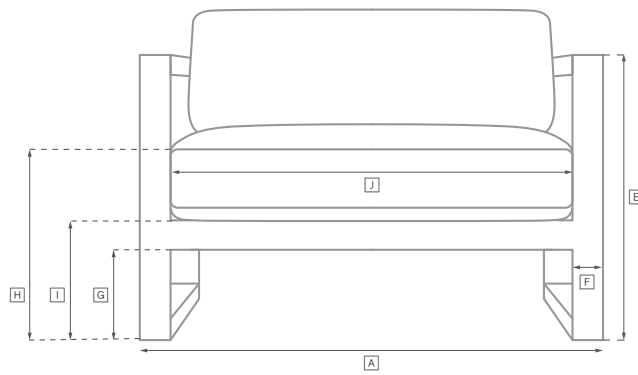
All dimensions are given in inches. See the attached "Dimensions Diagram" sheet for more information on the keys used in this chart.

	OVERALL WIDTH A	OVERALL DEPTH B	OVERALL HEIGHT W/ CUSHION C	FRAME HEIGHT D	ARM HEIGHT E	ARM WIDTH F	FOOT HEIGHT G	SEAT HEIGHT W/ CUSHION H	SEAT HEIGHT (FLOOR TO FRAME) I	INSIDE SEAT WIDTH J	INSIDE SEAT DEPTH K	NUMBER OF BACK CUSHIONS	NUMBER OF SEAT CUSHIONS	WEIGHT
68" SOFA	68	33½	30¼	26	26	1	¼	18	2¼	66	23½	1	1	-
101" SOFA	101	33½	30¼	26	26	1	¼	18	2¼	99	23½	1	1	-
LOUNGE CHAIR	35½	33½	30¼	26	26	1	¼	18	2¼	33	23½	1	1	-
SWIVEL LOUNGE CHAIR	35½	33½	30¼	26½	26	1	1	18	3	33	23½	1	1	-
MODULAR CORNER CHAIR	33½	33½	30¼	26	26	1	¼	18	2¼	32¼	23½	1	1	-
MODULAR ARMLESS CHAIR	34	33½	30¼	26	-	-	¼	18	2¼	34	23½	1	1	-
MODULAR LEFT-ARM CHAIR	34½	33½	30¼	26	26	1	¼	18	2¼	33½	23½	1	1	-
MODULAR RIGHT-ARM CHAIR	34½	33½	30¼	26	26	1	¼	18	2¼	33½	23½	1	1	-
MODULAR OTTOMAN	33	33	17¼	2¼	-	-	¼	18	2¼	-	-	1	-	-
CHAISE	35½	65	30¼	26	26	1	¼	18	2¼	33½	55	1	1	-
ADJUSTABLE CHAISE	30¼	80	31½	3¼	7¼	1	¼	10	3¼	28	46	1	1	-
MODULAR LEFT-ARM CHAISE	34½	65	30¼	26	26	1	¼	18	2¼	33½	55	1	1	-
MODULAR RIGHT-ARM CHAISE	34½	65	30¼	26	26	1	¼	18	2¼	33½	55	1	1	-
DINING SIDE CHAIR	22	27½	32¼	29	-	-	¼	18	2¼	19½	19	1	1	-

OUTDOOR SEATING DIMENSIONS DIAGRAM

See the "Dimensions Sheet" for the measurements that correspond with the letters below.

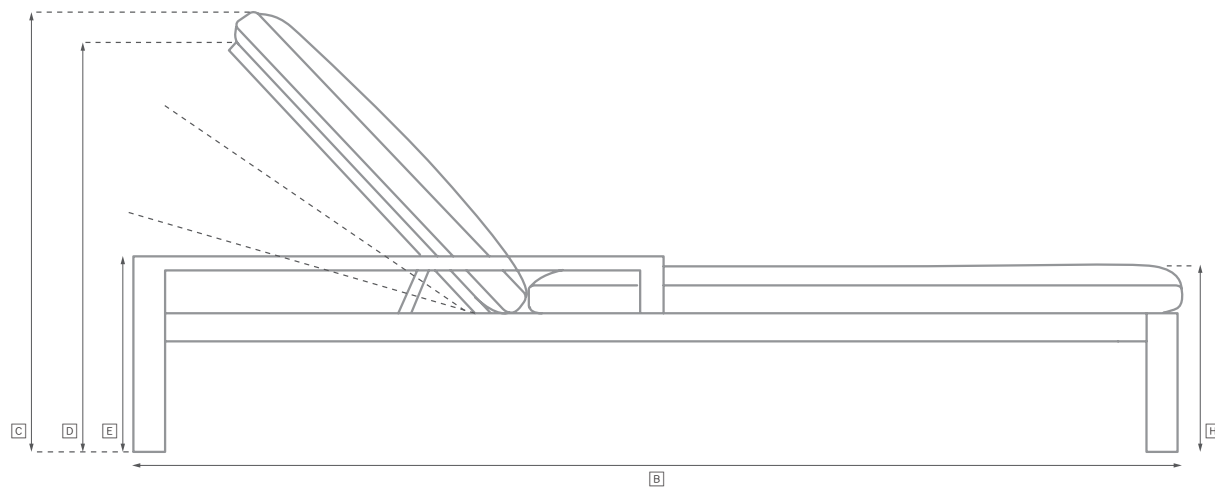
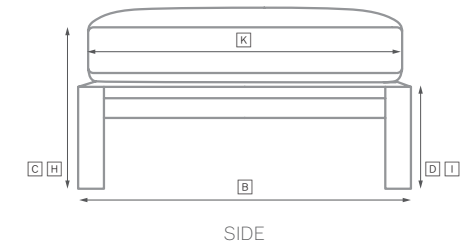
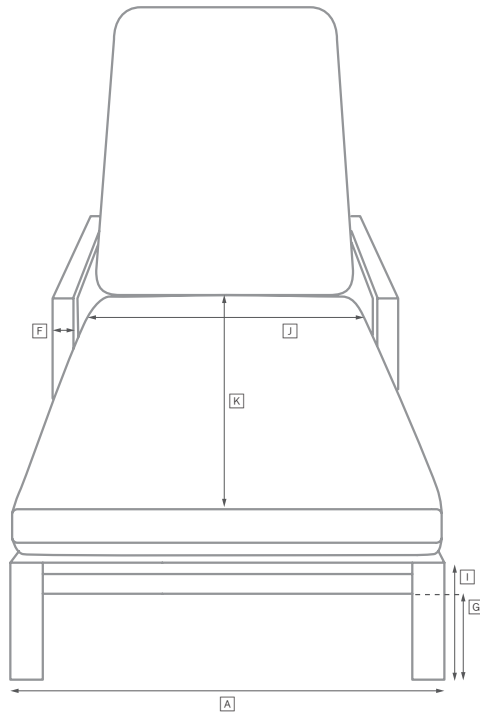
RH



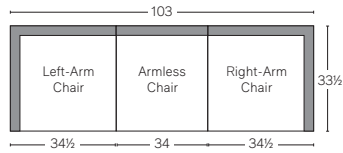
OUTDOOR SEATING DIMENSIONS DIAGRAM

See the "Dimensions Sheet" for the measurements that correspond with the letters below.

RH

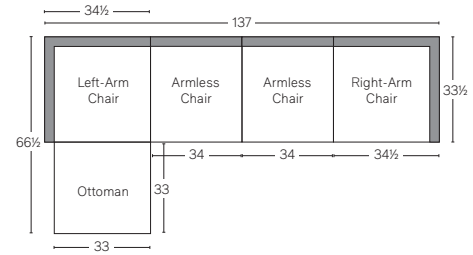


MODULAR SOFA



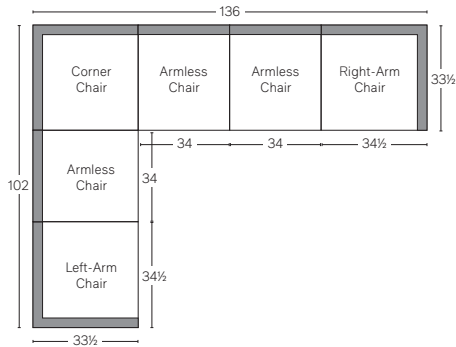
MODULAR SOFA CHAISE

Available in left- and right-arm configurations.

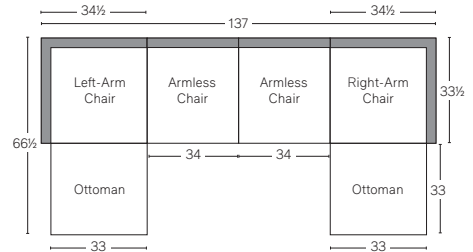


MODULAR L-SECTIONAL

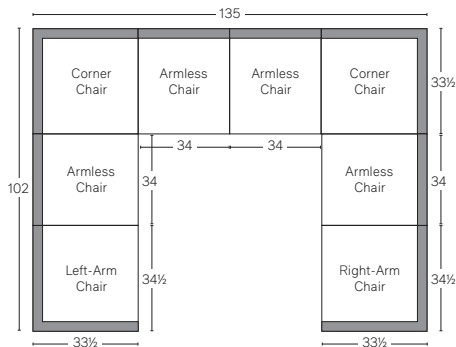
Available in left- and right-arm configurations.



MODULAR U-CHAISE SECTIONAL



MODULAR U-SOFA SECTIONAL



MODULAR U-SOFA CHAISE SECTIONAL

Available in left- and right-arm configurations.

