

# COSTA TEAK SEATING COLLECTION

All dimensions are given in inches. See the attached "Dimensions Diagram" sheet for more information on the keys used in this chart.



	OVERALL WIDTH A	OVERALL DEPTH B	OVERALL HEIGHT W/ CUSHION C	FRAME HEIGHT D	ARM HEIGHT E	ARM WIDTH F	FOOT HEIGHT G	SEAT HEIGHT W/ CUSHION H	SEAT HEIGHT (FLOOR TO FRAME) I	INSIDE SEAT WIDTH J	INSIDE SEAT DEPTH K	NUMBER OF BACK CUSHIONS	NUMBER OF SEAT CUSHIONS	WEIGHT
55" CLASSIC SOFA	55	36	33½	27	19	2½	1	14¼	6½	50	21	2	1	91
77" CLASSIC SOFA	77	36	33½	27	19	2½	1	14¼	6½	72	21	2	1	121
100" CLASSIC SOFA	100	36	33½	27	19	2½	1	14¼	6½	95	21	2	2	150
60" LUXE SOFA	60	39¾	37	29½	20	2½	1	16	7½	55	24	2	1	-
84" LUXE SOFA	84	39¾	37	29½	20	2½	1	16	7½	79	24	2	1	138
108" LUXE SOFA	108	39¾	37	29½	20	2½	1	16	7½	103	24	2	1	168
CLASSIC LOUNGE CHAIR	29	36	33½	27	19	2½	1	14¼	6½	24	21	1	1	-
LUXE LOUNGE CHAIR	32	39¾	37	29½	20	2½	1	16	7½	27	24	1	1	71
CLASSIC SWIVEL CHAIR	29	36	33½	27	19	2½	1	14¼	6½	24	21	1	1	-
LUXE SWIVEL CHAIR	32	39¾	37	29½	20	2½	1	16	7½	27	24	1	1	104
CLASSIC OTTOMAN	24½	19	14¼	6½	-	-	1	14¼	6½	22½	17	-	1	22
LUXE OTTOMAN	29	23½	16	7½	-	-	1	16	7½	27	21½	-	1	31
CHAISE	28	81	34	32¾	-	-	1	9¾	6½	25¾	45¾	1	1	74
DOUBLE CHAISE	55	81	34	32¾	-	-	1	9¾	6½	53	45¾	2	2	137

# COSTA TEAK SEATING COLLECTION



All dimensions are given in inches. See the attached "Dimensions Diagram" sheet for more information on the keys used in this chart.

	OVERALL WIDTH A	OVERALL DEPTH B	OVERALL HEIGHT W/ CUSHION C	FRAME HEIGHT D	ARM HEIGHT E	ARM WIDTH F	FOOT HEIGHT G	SEAT HEIGHT W/ CUSHION H	SEAT HEIGHT (FLOOR TO FRAME) I	INSIDE SEAT WIDTH J	INSIDE SEAT DEPTH K	NUMBER OF BACK CUSHIONS	NUMBER OF SEAT CUSHIONS	WEIGHT
CANOPY DAYBED	68	88	78	78	-	-	1	16	7 $\frac{1}{2}$	60	80	-	1	333
CLASSIC TWO-SEAT ARMLESS SOFA	50	36	33 $\frac{1}{2}$	27	-	-	1	14 $\frac{1}{4}$	6 $\frac{1}{2}$	48	21	2	1	74
LUXE TWO-SEAT ARMLESS SOFA	54	39 $\frac{1}{4}$	37	29 $\frac{1}{2}$	-	-	1	16	7 $\frac{1}{2}$	52	24	2	1	132
CLASSIC TWO-SEAT LEFT-ARM SOFA	52 $\frac{1}{2}$	36	33 $\frac{1}{2}$	27	19	2 $\frac{1}{2}$	1	14 $\frac{1}{4}$	6 $\frac{1}{2}$	50	21	2	1	77
LUXE TWO-SEAT LEFT-ARM SOFA	56 $\frac{1}{2}$	39 $\frac{1}{4}$	37	29 $\frac{1}{2}$	20	2 $\frac{1}{2}$	1	16	7 $\frac{1}{2}$	54	24	2	1	85
CLASSIC TWO-SEAT RIGHT-ARM SOFA	52 $\frac{1}{2}$	36	33 $\frac{1}{2}$	27	19	2 $\frac{1}{2}$	1	14 $\frac{1}{4}$	6 $\frac{1}{2}$	50	21	2	1	77
LUXE TWO-SEAT RIGHT-ARM SOFA	56 $\frac{1}{2}$	39 $\frac{1}{4}$	37	29 $\frac{1}{2}$	20	2 $\frac{1}{2}$	1	16	7 $\frac{1}{2}$	54	24	2	1	85
CLASSIC FOUR-SEAT LEFT-ARM RETURN SOFA	113 $\frac{3}{4}$	36	33 $\frac{1}{2}$	27	19	2 $\frac{1}{2}$	1	14 $\frac{1}{4}$	6 $\frac{1}{2}$	99	21	3	1	146
LUXE FOUR-SEAT LEFT-ARM RETURN SOFA	123	39 $\frac{1}{4}$	37	29 $\frac{1}{2}$	20	2 $\frac{1}{2}$	1	16	7 $\frac{1}{2}$	108	24	3	1	154
CLASSIC FOUR-SEAT RIGHT-ARM RETURN SOFA	113 $\frac{3}{4}$	36	33 $\frac{1}{2}$	27	19	2 $\frac{1}{2}$	1	14 $\frac{1}{4}$	6 $\frac{1}{2}$	99	21	3	1	146
LUXE FOUR-SEAT RIGHT-ARM RETURN SOFA	123	39 $\frac{1}{4}$	37	29 $\frac{1}{2}$	20	2 $\frac{1}{2}$	1	16	7 $\frac{1}{2}$	108	24	3	1	154
CLASSIC LEFT-ARM CHAISE	27 $\frac{1}{2}$	70	33 $\frac{1}{2}$	27	19	2 $\frac{1}{2}$	1	14 $\frac{1}{4}$	6 $\frac{1}{2}$	25	56	1	1	71
LUXE LEFT-ARM CHAISE	29 $\frac{1}{2}$	73 $\frac{1}{4}$	37	29 $\frac{1}{2}$	20	2 $\frac{1}{2}$	1	16	7 $\frac{1}{2}$	27	58	1	1	80
CLASSIC RIGHT-ARM CHAISE	27 $\frac{1}{2}$	70	33 $\frac{1}{2}$	27	19	2 $\frac{1}{2}$	1	14 $\frac{1}{4}$	6 $\frac{1}{2}$	25	56	1	1	71

# COSTA TEAK SEATING COLLECTION

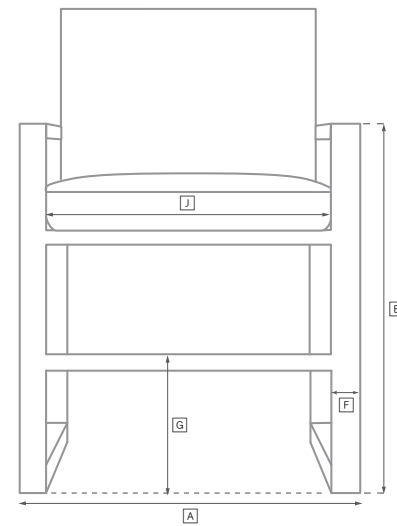
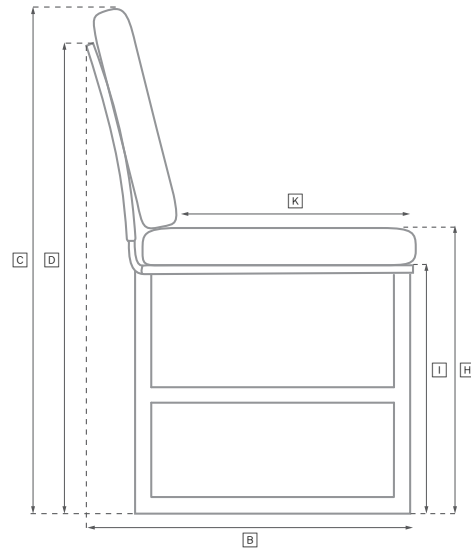
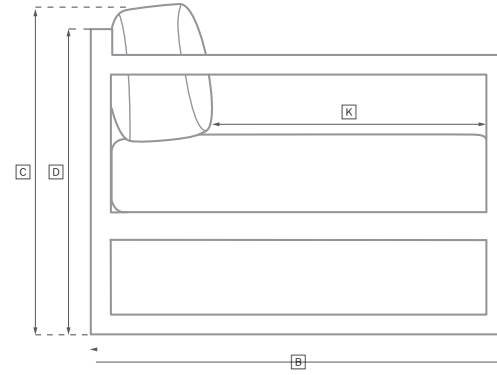
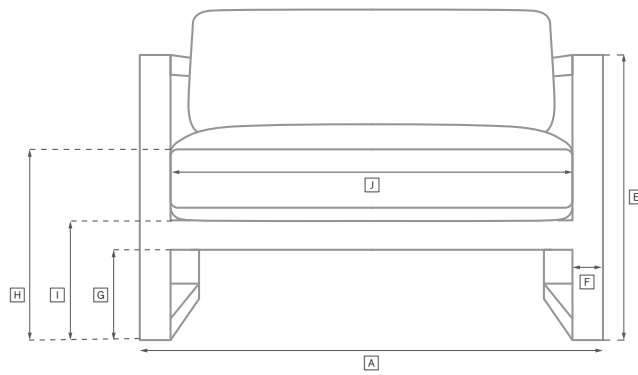
All dimensions are given in inches. See the attached "Dimensions Diagram" sheet for more information on the keys used in this chart.

	OVERALL WIDTH A	OVERALL DEPTH B	OVERALL HEIGHT W/ CUSHION C	FRAME HEIGHT D	ARM HEIGHT E	ARM WIDTH F	FOOT HEIGHT G	SEAT HEIGHT W/ CUSHION H	SEAT HEIGHT (FLOOR TO FRAME) I	INSIDE SEAT WIDTH J	INSIDE SEAT DEPTH K	NUMBER OF BACK CUSHIONS	NUMBER OF SEAT CUSHIONS	WEIGHT
LUXE RIGHT-ARM CHAISE	29½	73¾	37	29½	20	2½	1	16	7½	27	58	1	1	80
DINING SIDE CHAIR	20	22½	33¾	33¾	-	-	-	18	16	20	17¾	-	1	17
DINING ARMCHAIR	23	22½	33¾	33¾	25	1½	-	18	16	20	17¾	-	1	24
COUNTER STOOL	20	22	40	40	-	-	-	27	25	20	17¾	-	1	21
BARSTOOL	20	22	44	44	-	-	-	31	29	20	17¾	-	1	21

# OUTDOOR SEATING DIMENSIONS DIAGRAM

See the "Dimensions Sheet" for the measurements that correspond with the letters below.

RH



# OUTDOOR SEATING DIMENSIONS DIAGRAM

See the "Dimensions Sheet" for the measurements that correspond with the letters below.

RH

