

CAPE TOWN TEAK SEATING COLLECTION



All dimensions are given in inches. See the attached "Dimensions Diagram" sheet for more information on the keys used in this chart.

	OVERALL WIDTH A	OVERALL DEPTH B	OVERALL HEIGHT W/ CUSHION C	FRAME HEIGHT D	ARM HEIGHT E	ARM WIDTH F	FOOT HEIGHT G	SEAT HEIGHT W/ CUSHION H	SEAT HEIGHT (FLOOR TO FRAME) I	INSIDE SEAT WIDTH J	INSIDE SEAT DEPTH K	NUMBER OF BACK CUSHIONS	NUMBER OF SEAT CUSHIONS	WEIGHT
84" SOFA	84	39	26	22	22	8	4½	16	9½	68	28 23½ w/ Accent	2	2	139
96" SOFA	96	39	26	22	22	8	4½	16	9½	80	28 23½ w/ Accent	2	2	152
108" SOFA	108	39	26	22	22	8	4½	16	9½	92	28 23½ w/ Accent	3	3	166
120" SOFA	120	39	26	22	22	8	4½	16	9½	104	28 23½ w/ Accent	3	3	173
LOUNGE CHAIR	44	39	26	22	22	8	4½	16	9½	28	28 23½ w/ Accent	1	1	82
SWIVEL LOUNGE CHAIR	44	39	26	22	22	8	4½	16	9½	28	28 23½ w/ Accent	1	1	98
CHAISE	44	65	26	22	22	8	4½	16	9½	28	54½ 50 w/ Accent	1	1	105
DOUBLE CHAISE	76	65	26	22	22	8	4½	16	9½	60	54½ 50 w/ Accent	2	2	151
CORNER CHAIR	39	39	26	22	22	8	4½	16	9½	40	28 23½ w/ Accent	2	1	84
OTTOMAN	44	29½	16	9½	-	-	4½	16	9½	-	-	-	1	43
LEFT-ARM CHAISE	36	72	26	22	22	8	4½	16	9½	20	61½ 57 w/ Accent	1	1	98
RIGHT-ARM CHAISE	36	72	26	22	22	8	4½	16	9½	20	61½ 57 w/ Accent	1	1	98
ARMLESS SOFA	72	39	26	22	-	-	4½	16	9½	72	28 23½ w/ Accent	2	2	109
LEFT-ARM SOFA	72	39	26	22	22	8	4½	16	9½	64	28 23½ w/ Accent	2	2	116

CAPE TOWN TEAK SEATING COLLECTION

All dimensions are given in inches. See the attached "Dimensions Diagram" sheet for more information on the keys used in this chart.

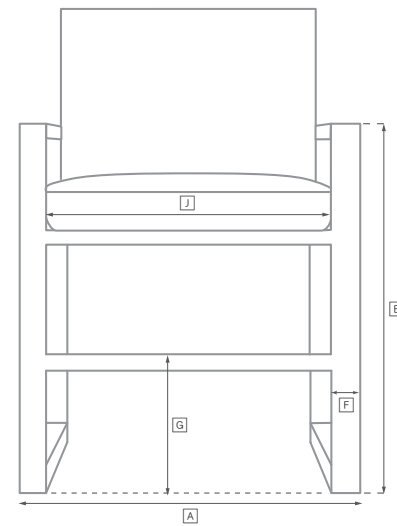
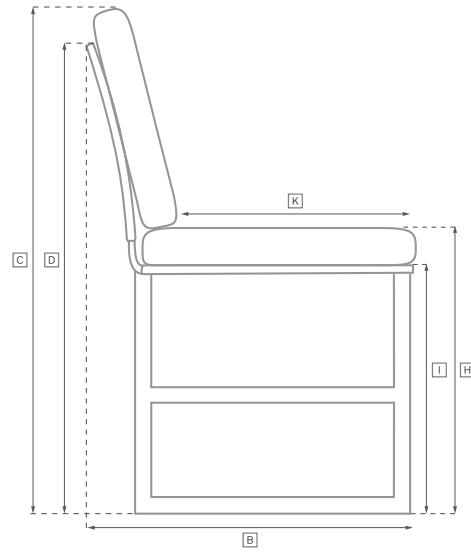
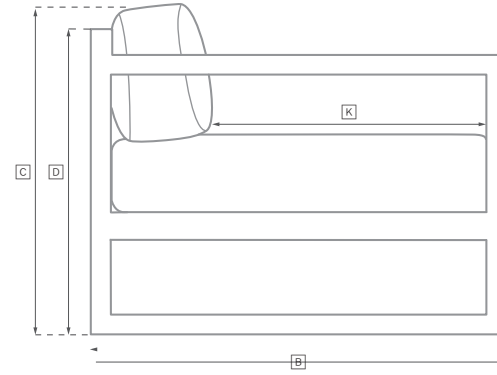
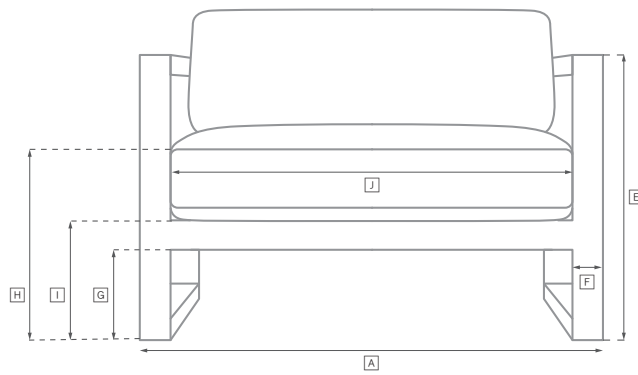


	OVERALL WIDTH A	OVERALL DEPTH B	OVERALL HEIGHT W/ CUSHION C	FRAME HEIGHT D	ARM HEIGHT E	ARM WIDTH F	FOOT HEIGHT G	SEAT HEIGHT W/ CUSHION H	SEAT HEIGHT (FLOOR TO FRAME) I	INSIDE SEAT WIDTH J	INSIDE SEAT DEPTH K	NUMBER OF BACK CUSHIONS	NUMBER OF SEAT CUSHIONS	WEIGHT
RIGHT-ARM SOFA	72	39	26	22	22	8	4½	16	9½	64	28 23½ w/ Accent	2	2	116
MODULAR LEFT-ARM DAYBED	56	56	26	22	22	8	4½	16	9½	40	45½ 41 w/ Accent	1	1	112
MODULAR RIGHT-ARM DAYBED	56	56	26	22	22	8	4½	16	9½	40	45½ 41 w/ Accent	1	1	112
MODULAR ARMLESS DAYBED	56	56	26	22	-	-	4½	16	9½	40	45½ 41 w/ Accent	1	1	101
MODULAR CORNER DAYBED	56	56	26	22	22	8	4½	16	9½	40	45½ 41 w/ Accent	2	1	124
DINING ARMCHAIR	24½	22½	28½	26	19	2	14½	19	16½	19¾	17½	1	1	26
DINING SIDE CHAIR	19¾	22½	28½	26	-	-	14½	19	16½	19¾	17½	1	1	21

OUTDOOR SEATING DIMENSIONS DIAGRAM

See the "Dimensions Sheet" for the measurements that correspond with the letters below.

RH



OUTDOOR SEATING DIMENSIONS DIAGRAM

See the "Dimensions Sheet" for the measurements that correspond with the letters below.

RH

