

# BRONTE TEAK SEATING COLLECTION



All dimensions are given in inches. See the attached "Dimensions Diagram" sheet for more information on the keys used in this chart.

	OVERALL WIDTH A	OVERALL DEPTH B	OVERALL HEIGHT W/ CUSHION C	FRAME HEIGHT D	ARM HEIGHT E	ARM WIDTH F	FOOT HEIGHT G	SEAT HEIGHT W/ CUSHION H	SEAT HEIGHT (FLOOR TO FRAME) I	INSIDE SEAT WIDTH J	INSIDE SEAT DEPTH K	NUMBER OF BACK CUSHIONS	NUMBER OF SEAT CUSHIONS	WEIGHT
72" SOFA	72	33½	29¾	24¼	24¼	1½	-	16	2¾	69¼	24	2	1	72
84" SOFA	84	33½	29¾	24¼	24¼	1½	-	16	2¾	81¼	24	2	1	77
96" SOFA	96	33½	29¾	24¼	24¼	1½	-	16	2¾	93¼	24	3	1	87
108" SOFA	108	33½	29¾	24¼	24¼	1½	-	16	2¾	105¼	24	3	1	94
LOUNGE CHAIR	31½	33½	29¾	24¼	24¼	1½	-	16	2¾	27½	21¼	1	1	38
SWIVEL LOUNGE CHAIR	31½	33½	29¾	24¼	24¼	1½	-	16	3½	28¾	21¼	1	1	48
OTTOMAN	28¾	25½	16	2¾	-	-	-	16	2¾	28¾	25½	0	1	15
CHAISE	80	31½	14¼	10¾	-	-	-	14¼	10¾	49½	31½	1	1	67
DINING SIDE CHAIR	18	23	32½	27½	-	-	-	19½	13¾	18	16	1	1	16
DINING ARMCHAIR	23¾	23	32½	27½	27½	1¼	-	19½	13¾	20½	16	1	1	22
TWO-SEAT LEFT-ARM SECTIONAL SOFA	70½	33½	29¾	24¼	24¼	1½	-	16	2¾	69	24	2	1	86
TWO-SEAT RIGHT-ARM SECTIONAL SOFA	70½	33½	29¾	24¼	24¼	1½	-	16	2¾	69	24	2	1	86
THREE-SEAT LEFT-ARM SECTIONAL SOFA	102	33½	29¾	24¼	24¼	1½	-	16	2¾	100½	24	2	1	121
THREE-SEAT RIGHT-ARM SECTIONAL SOFA	102	33½	29¾	24¼	24¼	1½	-	16	2¾	100½	24	2	1	121

# BRONTE TEAK SEATING COLLECTION



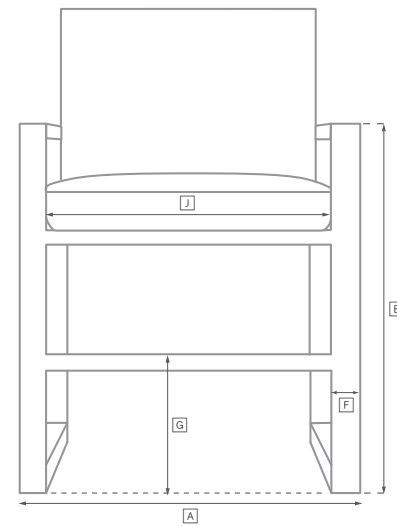
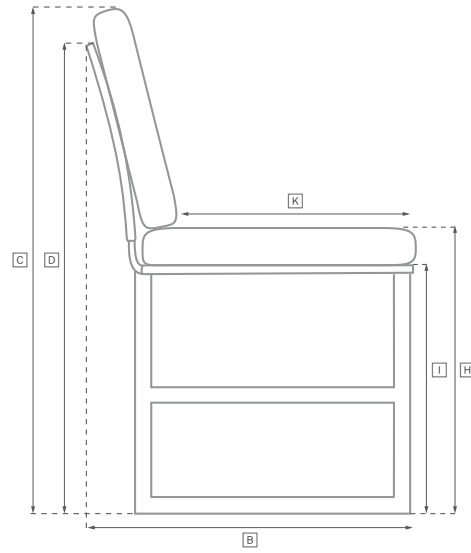
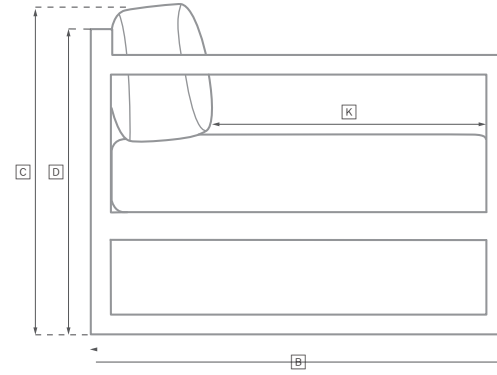
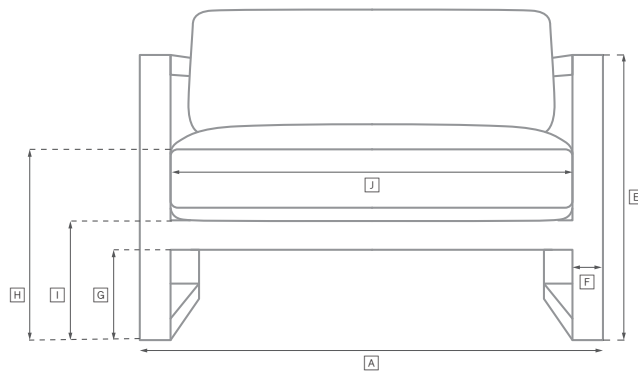
All dimensions are given in inches. See the attached "Dimensions Diagram" sheet for more information on the keys used in this chart.

	OVERALL WIDTH A	OVERALL DEPTH B	OVERALL HEIGHT W/ CUSHION C	FRAME HEIGHT D	ARM HEIGHT E	ARM WIDTH F	FOOT HEIGHT G	SEAT HEIGHT W/ CUSHION H	SEAT HEIGHT (FLOOR TO FRAME) I	INSIDE SEAT WIDTH J	INSIDE SEAT DEPTH K	NUMBER OF BACK CUSHIONS	NUMBER OF SEAT CUSHIONS	WEIGHT
THREE-SEAT ARMLESS SECTIONAL SOFA	96	33½	29¾	24¼	-	-	-	16	2¾	96	24	2	1	125
LEFT-ARM SECTIONAL CHAISE	33½	67	29¾	24¼	24¼	1½	-	16	2¾	65½	24	1	1	70
RIGHT-ARM SECTIONAL CHAISE	33½	67	29¾	24¼	24¼	1½	-	16	2¾	65½	24	1	1	70
SECTIONAL CORNER CHAIR	33½	33½	29¾	24¼	24¼	1½	-	16	2¾	24	24	2	1	44

# OUTDOOR SEATING DIMENSIONS DIAGRAM

See the "Dimensions Sheet" for the measurements that correspond with the letters below.

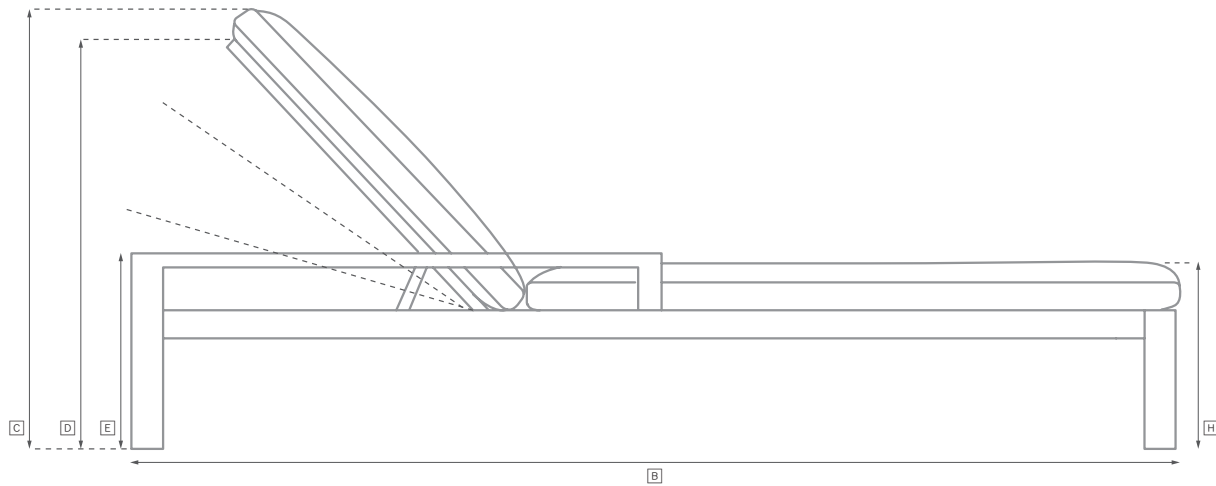
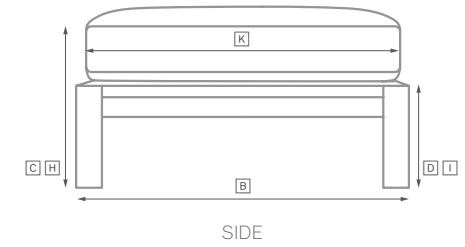
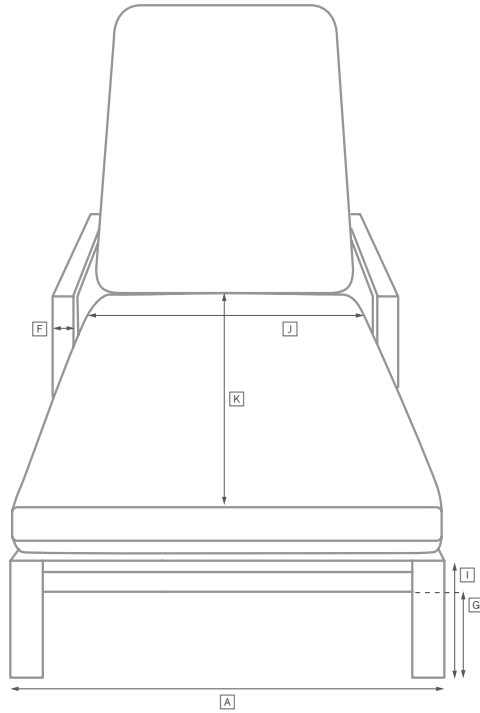
RH



# OUTDOOR SEATING DIMENSIONS DIAGRAM

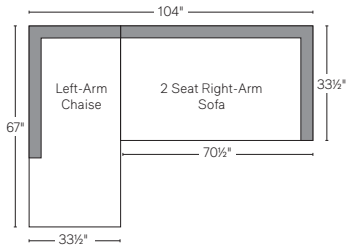
See the "Dimensions Sheet" for the measurements that correspond with the letters below.

RH

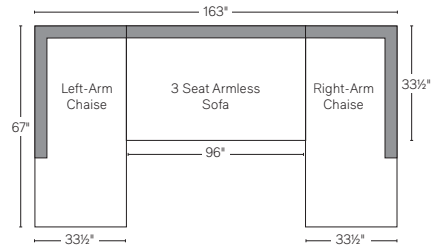


SOFA CHAISE SECTIONAL

Available in left and right-arm configurations.

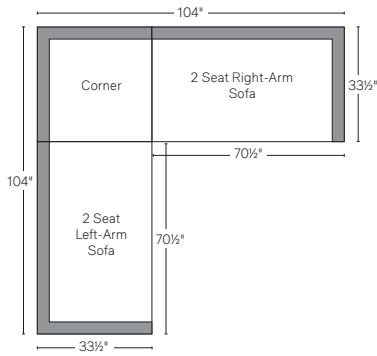


U-CHAISE SECTIONAL

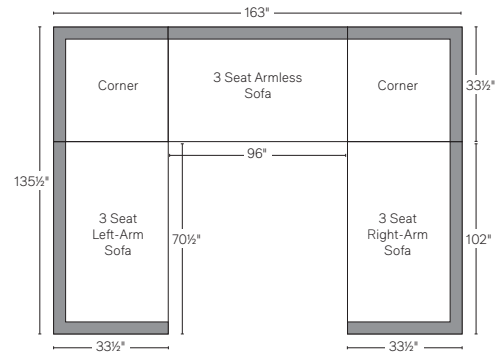


L-SECTIONAL

Available in left and right-arm configurations.



U-SOFA SECTIONAL



U-SOFA CHAISE SECTIONAL

Available in left and right-arm configurations.

