

# BONDI TEAK SEATING COLLECTION



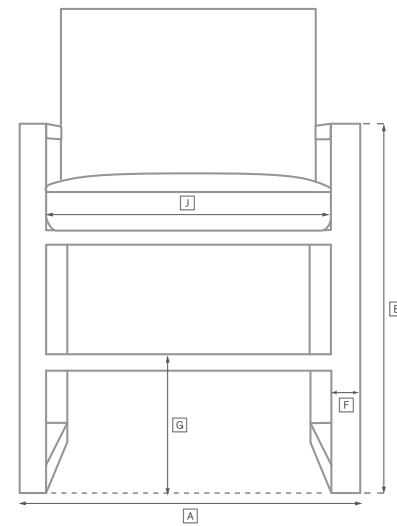
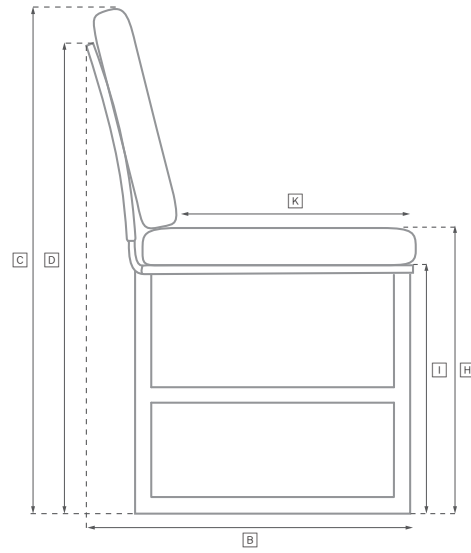
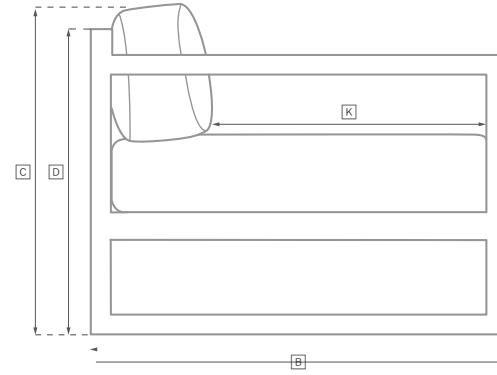
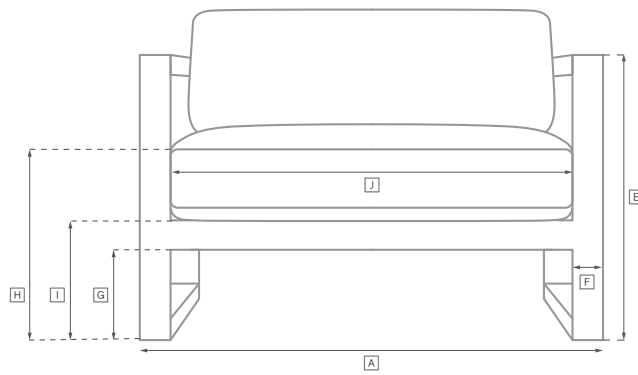
All dimensions are given in inches. See the attached "Dimensions Diagram" sheet for more information on the keys used in this chart.

	OVERALL WIDTH A	OVERALL DEPTH B	OVERALL HEIGHT W/ CUSHION C	FRAME HEIGHT D	ARM HEIGHT E	ARM WIDTH F	FOOT HEIGHT G	SEAT HEIGHT W/ CUSHION H	SEAT HEIGHT (FLOOR TO FRAME) I	INSIDE SEAT WIDTH J	INSIDE SEAT DEPTH K	NUMBER OF BACK CUSHIONS	NUMBER OF SEAT CUSHIONS	WEIGHT
84" SOFA	84	34¼	27½	27½	27½	8	-	17	9½	74½	27	1	1	110
100" SOFA	100	34¼	27½	27½	27½	8	-	17	9½	90	27	1	1	118
LOUNGE CHAIR	36½	34¼	27½	27½	27½	8	-	17	9½	27	29¼	1	1	55
SWIVEL LOUNGE CHAIR	36½	32½	27½	27½	27½	8	-	17	3½	27	32½	1	1	72
CHAISE	82	31½	14¼	4½	-	-	-	14¼	4½	50½	31½	1	1	108
ARMCHAIR	27½	24¼	27	27½	27½	4¼	-	19	15¼	21¼	21½	1	1	27
DAYBED	63	66¼	27½	27½	-	-	-	17	7¼	63	58¼	1	1	164
ARMLESS SOFA	84	35¼	27½	27½	-	-	-	17	7¼	84	27¼	1	1	138
THREE-SEAT ARMLESS SOFA WITH SIDE TABLE	108	33¼	27½	27½	-	-	-	17	7¼	92¼	27¼	1	1	165

# OUTDOOR SEATING DIMENSIONS DIAGRAM

See the "Dimensions Sheet" for the measurements that correspond with the letters below.

RH



# OUTDOOR SEATING DIMENSIONS DIAGRAM

See the "Dimensions Sheet" for the measurements that correspond with the letters below.

RH

