

BELVEDERE ALUMINUM SEATING COLLECTION

All dimensions are given in inches. See the attached "Dimensions Diagram" sheet for more information on the keys used in this chart.



	OVERALL WIDTH [A]	OVERALL DEPTH [B]	OVERALL HEIGHT W/ CUSHION [C]	FRAME HEIGHT [D]	ARM HEIGHT [E]	ARM WIDTH [F]	FOOT HEIGHT [G]	SEAT HEIGHT W/ CUSHION [H]	SEAT HEIGHT (FLOOR TO FRAME) [I]	INSIDE SEAT WIDTH [J]	INSIDE SEAT DEPTH [K]	# OF BACK CUSHIONS	# OF SEAT CUSHIONS
51½" CLASSIC SOFA	51½	34¼	31½	28½	18½	3¾	2¼	16	9¼	44	25½	1	1
74" CLASSIC SOFA	74	34¼	31½	28½	18½	3¾	2¼	16	9¼	66	25½	2	1
96" CLASSIC SOFA	96	34¼	31½	28½	18½	3¾	2¼	16	9¼	88	25½	2	1
54½" LUXE SOFA	54½	38	32½	31	20½	4½	2¼	17	9¼	45½	28½	1	1
80" LUXE SOFA	80	38	32½	31	20½	4½	2¼	17	9¼	60	28½	2	1
101¼" LUXE SOFA	101¼	38	32½	31	20½	4½	2¼	17	9¼	92½	28½	2	1
CLASSIC LOUNGE CHAIR	29¼	34¼	31½	28½	18½	3¾	2¼	16	9¼	21½	25½	1	1
LUXE LOUNGE CHAIR	32	38	32½	31	20½	4½	2¼	17	9¼	23	28½	1	1
CLASSIC SWIVEL LOUNGE CHAIR	29¼	34¼	30½	27½	18½	3¾	2¼	13¾	9	21½	25½	1	1
LUXE SWIVEL LOUNGE CHAIR	32	38	31¼	29¼	20½	4½	2¼	14¾	9¼	23	28½	1	1
CLASSIC OTTOMAN	29¼	34¼	31½	28½	-	-	2¼	16	9¼	29¼	34¼	0	1
LUXE OTTOMAN	32	32	17	9¼	-	-	2¼	17	9¼	32	32	0	1
CHAISE	29½	78¼	35½	33½	-	-	2¼	12¼	9½	27½	45¾	1	1
DOUBLE CHAISE	55	78¼	35½	33½	-	-	2¼	12¼	9½	53	45¾	2	1

BELVEDERE ALUMINUM SEATING COLLECTION

All dimensions are given in inches. See the attached "Dimensions Diagram" sheet for more information on the keys used in this chart.

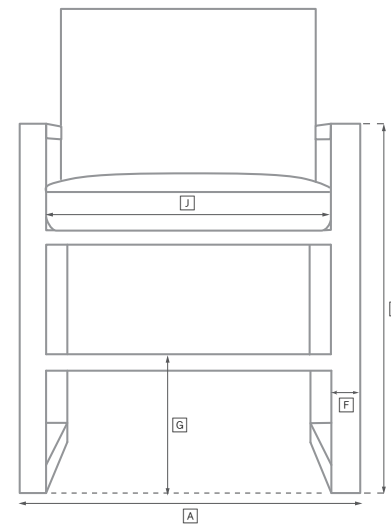
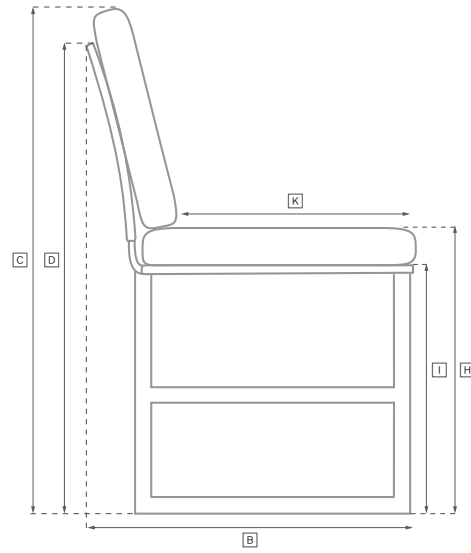
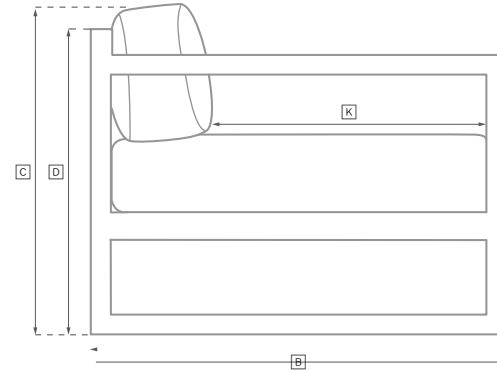
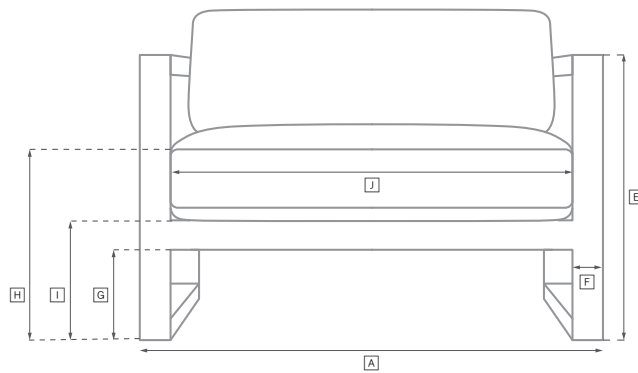


	OVERALL WIDTH A	OVERALL DEPTH B	OVERALL HEIGHT W/ CUSHION C	FRAME HEIGHT D	ARM HEIGHT E	ARM WIDTH F	FOOT HEIGHT G	SEAT HEIGHT W/ CUSHION H	SEAT HEIGHT (FLOOR TO FRAME) I	INSIDE SEAT WIDTH J	INSIDE SEAT DEPTH K	# OF BACK CUSHIONS	# OF SEAT CUSHIONS
DAYBED	60	70½	30	27	-	-	2¼	17	9¾	58	64	1	1
DINING ARMCHAIR	24	23½	35½	35½	24¾	2	14	19½	17½	20	18½	0	1
DINING SIDE CHAIR	19¾	22	35½	35½	-	-	14	19½	17½	19¾	17½	0	1
CLASSIC TWO-SEAT ARMLESS SOFA	48¾	34¾	31½	28½	-	-	2¼	16	9¾	48¾	22½	1	1
LUXE TWO-SEAT ARMLESS SOFA	51	38	32½	31	-	-	2¼	17	9¾	51	24½	1	1
CLASSIC TWO-SEAT LEFT-ARM SOFA	50	34¾	31½	28½	18½	3¾	2¼	16	9¾	46	22½	1	1
LUXE TWO-SEAT LEFT-ARM SOFA	52½	38	32½	31	20½	4½	2¼	17	9¾	48	24½	1	1
CLASSIC TWO-SEAT RIGHT-ARM SOFA	50	34¾	31½	28½	18½	3¾	2¼	16	9¾	46	22½	1	1
LUXE TWO-SEAT RIGHT-ARM SOFA	52½	38	32½	31	20½	4½	2¼	17	9¾	48	24½	1	1
CLASSIC FOUR-SEAT LEFT-ARM RETURN SOFA	106¾	34¾	31½	28½	18½	3¾	2¼	16	9¾	95	22½	3	1
LUXE FOUR-SEAT LEFT-ARM SOFA	114½	38	32½	31	20½	4½	2¼	17	9¾	97	24½	3	1
CLASSIC FOUR-SEAT RIGHT-ARM RETURN SOFA	106¾	34¾	31½	28½	18½	3¾	2¼	16	9¾	95	22½	3	1
LUXE FOUR-SEAT RIGHT-ARM SOFA	114½	38	32½	31	20½	4½	2¼	17	9¾	97	24½	3	1
BARSTOOL	17¾	19¾	38½	38½	-	-	9	31	25	17¾	15	0	1
COUNTER STOOL	17¾	19¾	42½	42½	-	-	9¾	27	29	17¾	15	0	1

OUTDOOR SEATING DIMENSIONS DIAGRAM

See the "Dimensions Sheet" for the measurements that correspond with the letters below.

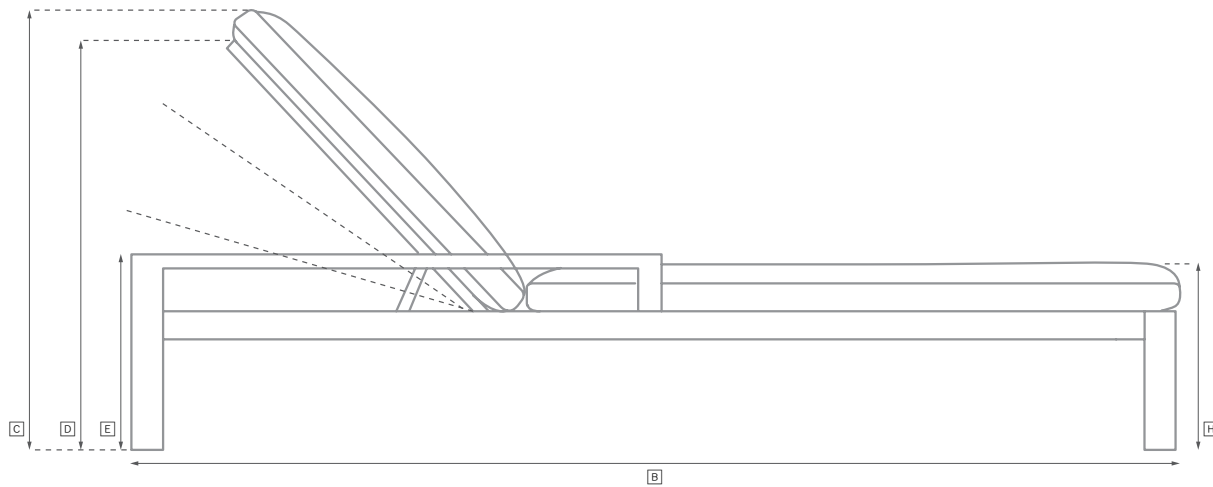
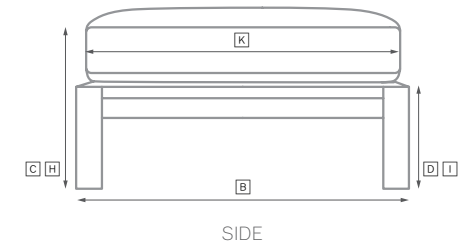
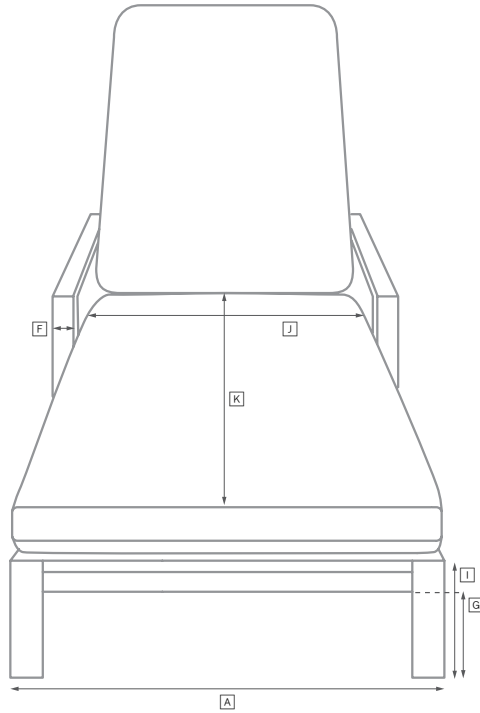
RH



OUTDOOR SEATING DIMENSIONS DIAGRAM

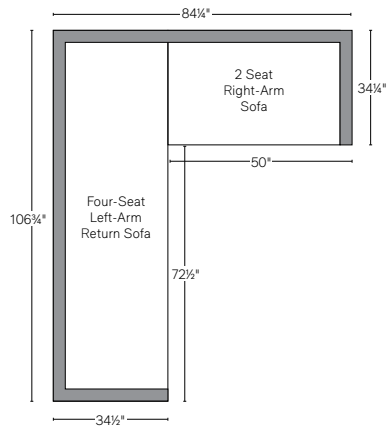
See the "Dimensions Sheet" for the measurements that correspond with the letters below.

RH

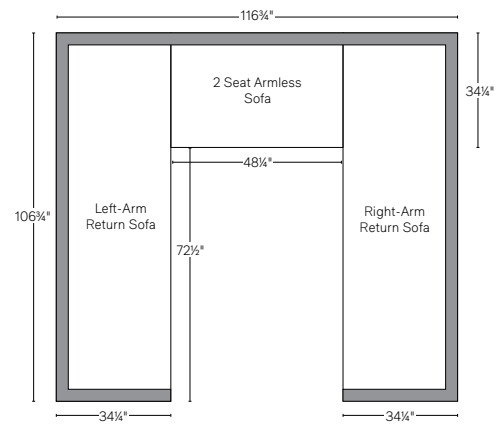


L-SECTIONAL

Available in left- and right-arm configurations.

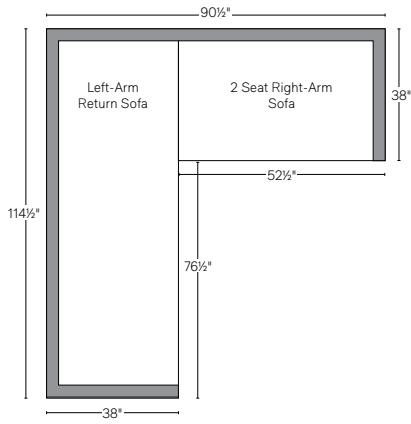


U-SOFA SECTIONAL



L-SECTIONAL

Available in left- and right-arm configurations.



U-SOFA SECTIONAL

