

AEGEAN ALUMINUM SEATING COLLECTION



All dimensions are given in inches. See the attached "Dimensions Diagram" sheet for more information on the keys used in this chart.

	OVERALL WIDTH A	OVERALL DEPTH B	OVERALL HEIGHT W/ CUSHION C	FRAME HEIGHT D	ARM HEIGHT E	ARM WIDTH F	FOOT HEIGHT G	SEAT HEIGHT W/ CUSHION H	SEAT HEIGHT (FLOOR TO FRAME) I	INSIDE SEAT WIDTH J	INSIDE SEAT DEPTH K	NUMBER OF BACK CUSHIONS	NUMBER OF SEAT CUSHIONS	WEIGHT
57" CLASSIC SOFA	56½	29	25¼	24	24	2	7	14¾	9¾	52	23	1	1	47
83" CLASSIC SOFA	82½	29	25¼	24	24	2	7	14¾	9¾	78	23	2	1	64
109" CLASSIC SOFA	108½	29	25¼	24	24	2	7	14¾	9¾	104	23	2	1	92
64" LUXE SOFA	63¾	33½	25¾	24½	24½	2½	7	16	9½	58¾	27	1	1	89
93" LUXE SOFA	92½	33½	25¾	24½	24½	2½	7	16	9½	87½	27	2	1	113
112" LUXE SOFA	112	33½	25¾	24½	24½	2½	7	16	9½	107	27	2	1	159
123" LUXE SOFA	123	33½	25¾	24½	24½	2½	7	16	9½	118	27	2	1	-
CLASSIC LOUNGE CHAIR	30¾	29	25¼	24	24	2	7	14¾	9¾	26	23	1	1	51
LUXE LOUNGE CHAIR	34¾	33½	25¾	24½	24½	2½	7	16	9½	29¾	27	1	1	75
CLASSIC OTTOMAN	26	27½	25¾	9¾	-	-	7	14¾	9¾	26	27½	-	1	31
LUXE OTTOMAN	32	29½	14½	9½	-	-	7	16	9½	32	29½	-	1	53
COFFEE OTTOMAN	59	32	15½	9½	-	-	7	16	9½	59	32	-	1	47
DAYBED	66	75	25¾	24¾	-	-	-	16	9¾	66	68½	2	1	181
CHAISE	25½	79¾	35	34	-	-	8¾	15	12½	25½	50½	1	1	68

AEGEAN ALUMINUM SEATING COLLECTION



All dimensions are given in inches. See the attached "Dimensions Diagram" sheet for more information on the keys used in this chart.

	OVERALL WIDTH A	OVERALL DEPTH B	OVERALL HEIGHT W/ CUSHION C	FRAME HEIGHT D	ARM HEIGHT E	ARM WIDTH F	FOOT HEIGHT G	SEAT HEIGHT W/ CUSHION H	SEAT HEIGHT (FLOOR TO FRAME) I	INSIDE SEAT WIDTH J	INSIDE SEAT DEPTH K	NUMBER OF BACK CUSHIONS	NUMBER OF SEAT CUSHIONS	WEIGHT
DOUBLE CHAISE	49½	79¼	35	34	-	-	8¼	15	12½	49½	50½	2	1	109
STACKING CHAISE	29	79¼	34	34	-	-	-	12	12	29	50	-	-	64
CLASSIC TWO-SEAT ARMLESS SOFA	52	29	25¼	24	-	-	7	14¼	9¼	52	23	1	1	68
LUXE TWO-SEAT ARMLESS SOFA	59	33½	25¼	24½	-	-	7	16	9½	59	27	1	1	68
CLASSIC TWO-SEAT LEFT-ARM SOFA	54¼	29	25¼	24	24	2	7	14¼	9¼	52¼	23	1	1	73
LUXE TWO-SEAT LEFT-ARM SOFA	61½	33½	25¼	24½	24½	2½	7	16	9½	59	27	1	1	92
CLASSIC TWO-SEAT RIGHT-ARM SOFA	54¼	29	25¼	24	24	2	7	14¼	9¼	52¼	23	1	1	73
LUXE TWO-SEAT RIGHT-ARM SOFA	61½	33½	25¼	24½	24½	2½	7	16	9½	59	27	1	1	92
CLASSIC THREE-SEAT LEFT-ARM RETURN SOFA	81¼	29	25¼	24	24	2	7	14¼	9¼	73¼	23	3	1	110
LUXE THREE-SEAT LEFT-ARM RETURN SOFA	92½	33½	25¼	24½	24½	2½	7	16	9½	82½	27	3	1	110
CLASSIC THREE-SEAT RIGHT-ARM RETURN SOFA	81¼	29	25¼	24	24	2	7	14¼	9¼	73¼	23	3	1	110
LUXE THREE-SEAT RIGHT-ARM RETURN SOFA	92½	33½	25¼	24½	24½	2½	7	16	9½	82½	27	3	1	110
CLASSIC FOUR-SEAT LEFT-ARM RETURN SOFA	108	29	25¼	24	24	2	7	14¼	9¼	99½	23	3	1	135
LUXE FOUR-SEAT LEFT-ARM RETURN SOFA	122	33½	25¼	24½	24½	2½	7	16	9½	112	27	3	1	140

AEGEAN ALUMINUM SEATING COLLECTION



All dimensions are given in inches. See the attached "Dimensions Diagram" sheet for more information on the keys used in this chart.

	OVERALL WIDTH A	OVERALL DEPTH B	OVERALL HEIGHT W/ CUSHION C	FRAME HEIGHT D	ARM HEIGHT E	ARM WIDTH F	FOOT HEIGHT G	SEAT HEIGHT W/ CUSHION H	SEAT HEIGHT (FLOOR TO FRAME) I	INSIDE SEAT WIDTH J	INSIDE SEAT DEPTH K	NUMBER OF BACK CUSHIONS	NUMBER OF SEAT CUSHIONS	WEIGHT
CLASSIC FOUR-SEAT RIGHT-ARM RETURN SOFA	108	29	25¼	24	24	2	7	14¾	9¾	99½	23	3	1	135
LUXE FOUR-SEAT RIGHT-ARM RETURN SOFA	122	33½	25¾	24½	24½	2½	7	16	9½	112	27	3	1	140
CLASSIC LEFT-ARM CHAISE	29¾	53½	25¾	24	24	2	7	14¾	9¾	27¾	47	1	1	68
LUXE LEFT-ARM CHAISE	34¾	60¾	25¾	24½	24½	2½	-	16	9½	31¾	54	1	1	86
CLASSIC RIGHT-ARM CHAISE	29¾	53½	25¾	24	24	2	7	14¾	9¾	27¾	47	1	1	68
LUXE RIGHT-ARM CHAISE	34¾	60¾	25¾	24½	24½	2½	-	16	9½	31¾	54	1	1	86
52" DINING BENCH	51¾	15	19	16½	-	-	-	19	16½	51¾	15	-	1	24
63" DINING BENCH	63	15	19	16½	-	-	-	19	16½	63	15	-	1	49
77" DINING BENCH	76½	15	19	16½	-	-	-	19	16½	76½	15	-	1	60
87" DINING BENCH	86¾	15	19	16½	-	-	-	19	16½	86¾	15	-	1	64
99" DINING BENCH	98½	15	19	16½	-	-	-	19	16½	98½	15	-	1	75
DINING SIDE CHAIR	19¾	23½	33	33	-	-	14¾	18¾	17¾	19¾	18	-	1	25
DINING ARMCHAIR	22¾	23½	33	33	24	1½	14¾	18¾	17¾	19¾	18	-	1	26.5
BARSTOOL	23	20¼	44	44	36¾	1¾	12	30	30	19¾	18¾	-	-	22

AEGEAN ALUMINUM SEATING COLLECTION

All dimensions are given in inches. See the attached "Dimensions Diagram" sheet for more information on the keys used in this chart.

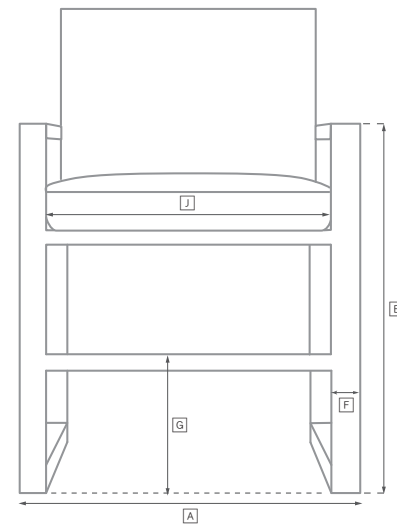
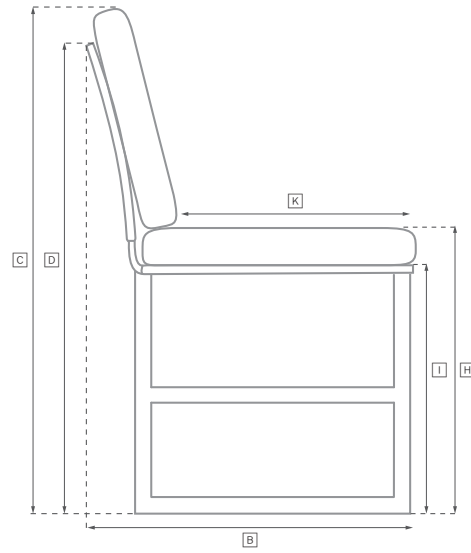
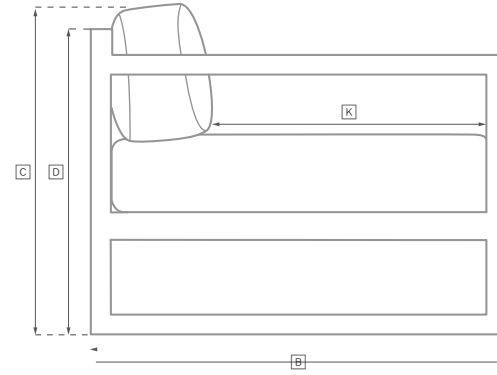
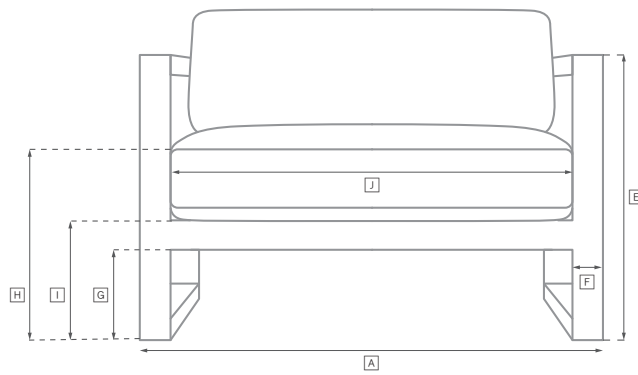


	OVERALL WIDTH A	OVERALL DEPTH B	OVERALL HEIGHT W/ CUSHION C	FRAME HEIGHT D	ARM HEIGHT E	ARM WIDTH F	FOOT HEIGHT G	SEAT HEIGHT W/ CUSHION H	SEAT HEIGHT (FLOOR TO FRAME) I	INSIDE SEAT WIDTH J	INSIDE SEAT DEPTH K	NUMBER OF BACK CUSHIONS	NUMBER OF SEAT CUSHIONS	WEIGHT
COUNTER STOOL	23	20¼	40¼	40¼	33	1¼	8	26	26	19¼	18¼	-	-	20

OUTDOOR SEATING DIMENSIONS DIAGRAM

See the "Dimensions Sheet" for the measurements that correspond with the letters below.

RH



OUTDOOR SEATING DIMENSIONS DIAGRAM

See the "Dimensions Sheet" for the measurements that correspond with the letters below.

RH

